



**04584447**  
Edition 7  
February 2018

# Air Impact Wrench

**2934 and 2940 Series (D handle)**

---

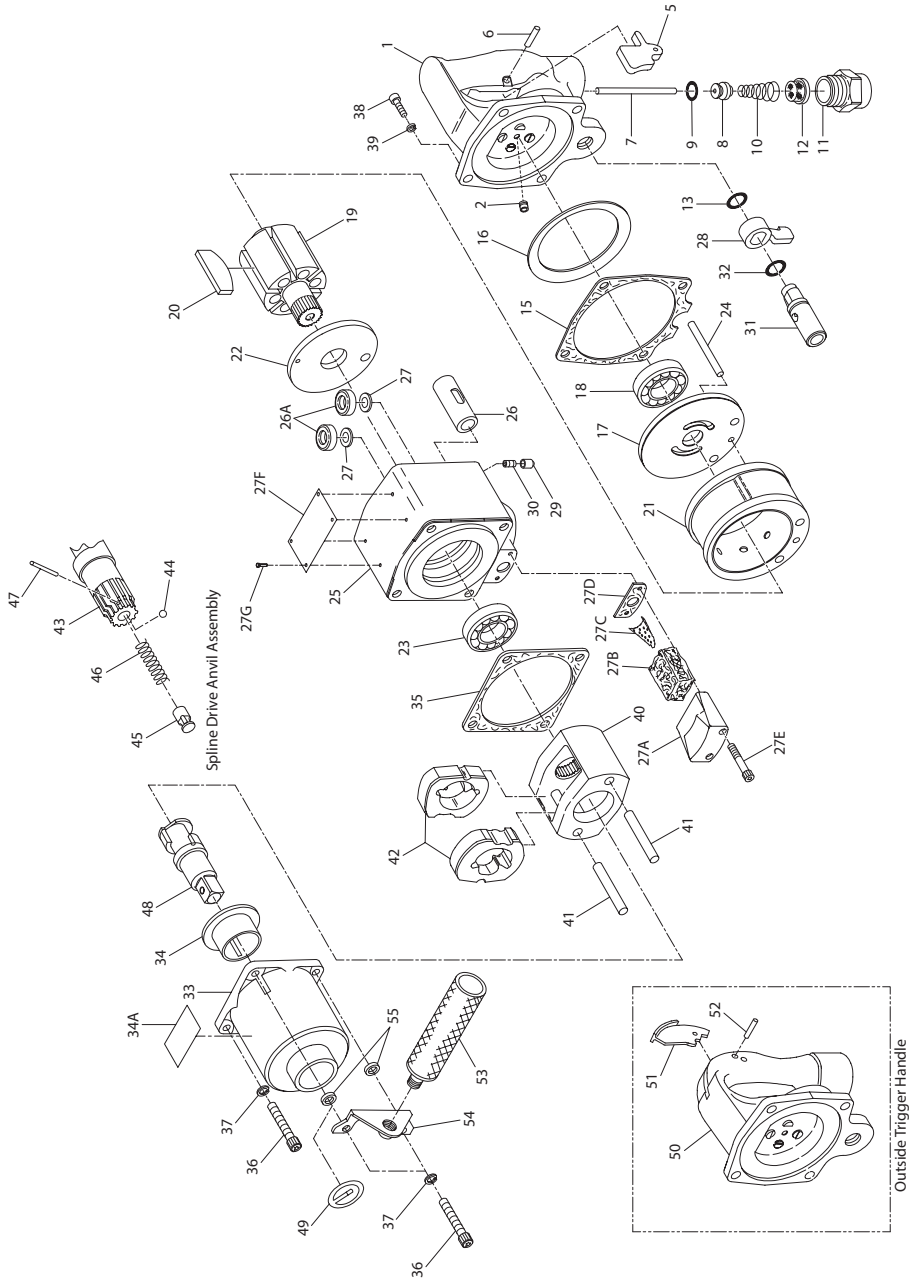
## Parts Information



Save These Instructions

**IR** *Ingersoll Rand*

2934 and 2940 Series (D handle) Air Impact Wrench - Exploded View



(Dwg. TPA1333-3)

## 2934 and 2940 Series (D handle) Air Impact Wrench - Parts List

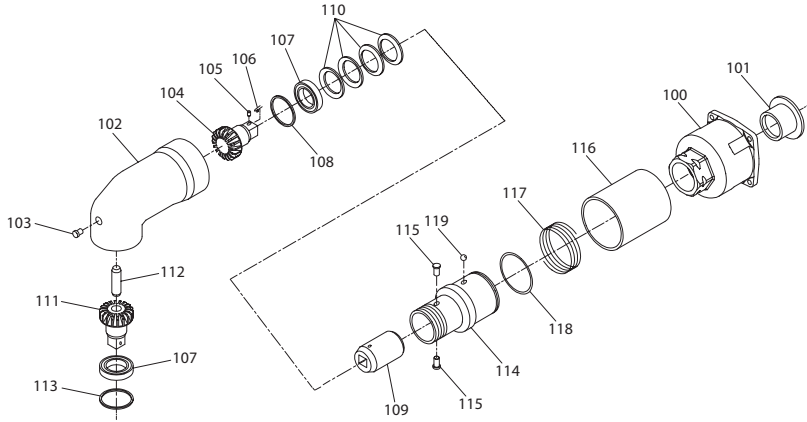
Item	Part Description	Part Number	Item	Part Description	Part Number
1	Inside Trigger Handle Assembly	2934-A92A		Oversize Hammer Case Bushing	
2	Grease Fitting	1305R-188	*	.005" oversize	293-641-5
5	Trigger	834-93A		.010" oversize	2934-641-10
6	Trigger Pin	534-265		.015" oversize	2934-641-15
7	Throttle Valve Plunger	2934-302	† 35	Hammer Case Gasket	2934-36
8	Throttle Valve Assembly	2934-A50	36	Hammer Case Cap Screw (4)	834-638
† 9	Throttle Valve Face	2934-159	37	Hammer Case Cap Screw Lock Washer (4)	34U-58
† 10	Throttle Valve Spring	834-51	38	Handle Cap Screw (4)	510-638
11	Straight Inlet	845-565	39	Handle Cap Screw Lock Washer (4)	8U-58
† 12	Air Strainer Screen	434-61		Hammer Frame Assembly	
† 13	Reverse Valve Seal	R00BR-210	40	for 2934	2934-A703
† 15	Handle Gasket	2934-283		for 2940	2940-A703
16	Motor Clamp Washer	2934-207		Hammer Pin (2)	
17	Rear End Plate	2934-12	41	for 2934	2934-704
† 18	Rear Rotor Bearing	508-97		for 2940	2940-704
19	Rotor		42	Hammer (2)	
	for 2934	2934-53		for 2934	2934-724
	for 2940	2940-53		for 2940	2940-724
† 20	Vane Packet (set of 6 Vanes)		43	Spline Drive Anvil Assembly	
	for 2934	2934-42-6		for 2934	2934-A526
	for 2940	2940-42-6		for 2940	2940-A526
21	Cylinder		44	Socket Retaining Ball	D04-280
	for 2934	2934-3	45	Retaining Ball Plunger	845-230
	for 2940	2940-3	46	Retaining Plunger Spring	2940-231
22	Front End Plate	2934-11	47	Plunger Retaining Pin	845-128
† 23	Front Rotor Bearing	810-97		1" Square Drive Anvil Standard Length	
24	Cylinder Dowel		48	for 2934	2934-726
	for 2934	2934-98		for 2940	2940-726
	for 2940	2940-98		6" Extended Length	
	for 2934	2934-314-6		for 2934	2934-314-6
	for 2940	2940-314-6		for 2940	2940-314-6
25	Motor Housing Assembly		49	Socket Retainer	RR100155
	for 2934	2934-A40A			
	for 2940	2940-A40			
26	Reverse Valve Bushing	2934-3305	50	Outside Trigger Handle Assembly	2934-A1
† 26A	Air Port Gasket (2)	R44H-210A	51	Trigger	844-78
† 27	Air Port Gasket Retainer (2)	2940-200		Trigger Pin	F02-15
27A	Exhaust Deflector	2934-23A	52	Also includes illustrated parts 2, 7, 8, 9, 10, 11, 12 and 13	---
† 27B	Exhaust Silencer	2940P-311			
27C	Exhaust Baffle	2934-124	53	Dead Handle	834-48
27D	Exhaust Gasket	2934-223	54	Dead Handle Bracket	2934-364
27E	Deflector Screw (2)	R43F-104	55	Dead Handle Bracket Spacer (2)	2934-140
27F	Nameplate		*	Horizontal Hanger	2934-366
	for 2934	2934-301	*	Horizontal Hanger Spacer (2)	2934-140
	for 2940	2940-301	*	Side Spade Handle	T15-41
27G	Nameplate Screw (4)	C32-302	*	Side Spade Handle Stud	534-448
28	Reverse Lever	2934-658A	*	Side Spade Handle Stud Nut	107-73A
† 29	Reverse Lock Plunger	4U-663B	*	Grease Gun	R000A2-228
† 30	Reverse Lock Plunger Spring	4U-664		Tune-up Kit (includes illustrated parts 3, 9, 10, 12, 13, 15, 18, 20, 23, 26A [2], 27 [2], 27B, 29, 30, 32 and 35)	
31	Reverse Valve Assembly	2934-A329		for 2934	2934-TK3
† 32	Reverse Valve Bushing Seal	85H-167		for 2940	2940-TK3
33	Hammer Case Assembly		*	Exhaust Deflector Kit (includes illustrated parts 27A thru 27E)	2934-K23
	for 2934	2934-A727			
	for 2940	2940-A727			
34	Hammer Case Bushing	2934-641			
34A	Hammer Case Label				
	for 2934				
	for 2940	WARNING-2-99			

\* Indicates not illustrated.

† Indicates Tune-up Kit part.

• Indicates common-wear parts. Maintain stock to reduce downtime.

## Model 2934B9 Air Impact Wrench with No. 2934A90 Angle Attachment - Exploded View



(Dwg. TPC357-1)

The 2934 Series Air Impact Wrench can be furnished with a 1" square drive 2934A90 Angle Attachment and when so furnished is designated as 2934B9. Following are the parts used only in the 2934B9. All parts not listed are the same as for a 2934 Series Air Impact Wrench with Inside Trigger Handle, Side Spade Handle and a 1" square drive standard length Anvil.

## Model 2934B9 Air Impact Wrench with No. 2934A90 Angle Attachment - Parts List

Item	Part Description	Part Number	Item	Part Description	Part Number
100	Hammer Case Assembly	2934-A827	109	Bevel Pinion Driver	2934A90-563
101	Hammer Case Bushing	2934-641	110	Bevel Pinion Clamp Washer (4)	808-207
*	Hammer Case Label	WARNING-2-99	111	Bevel Gear	436A90-601
	Angle Attachment Assembly	2934A90	112	Bevel Gear Spindle	436A90-607
102	Angle Housing Assembly	436A90-A600	113	Bevel Gear Bearing Retainer	436A90-632
103	Grease Fitting	130SR-188	114	Angle Housing Connector	436A90-680
104	Bevel Pinion Assembly	436A90-A602	115	Connector Lock Pin (2)	436A90-609
105	Retainer Plunger	8U-715	116	Connector Retaining Sleeve	436A90-681
106	Retainer Plunger Spring	5UHD-718	117	Retaining Sleeve Spring	436A90-682
107	Bevel Pinion Bearing or Bevel Gear Bearing (2)	436A90-593	118	Connector Retaining Sleeve Stop	3BM-303
108	Bevel Pinion Spacer	436A90-608	119	Connector Retaining Ball (3)	8U-722
			*	Socket Retainer	RR100155

\* Indicates not illustrated.

## Parts and Maintenance

When tool life has expired, it is recommended that the tool be disassembled, degreased and parts separated by material for proper recycling. Tool repair and maintenance should only be carried out by an authorized Service Center.

Refer all communications to the nearest **Ingersoll Rand** office or distributor.

## Related Documentation

Manuals can be downloaded from [ingersollrandproducts.com](http://ingersollrandproducts.com)

For additional information, refer to:

Product Safety Information Manual 04580916 and 04579744 (ATEX).

Product Information Manual 04584835.

Product Maintenance Information Manual 04584298.

**Notes:**

---

---

**Notes:**

**Notes:**

---

[ingersollrandproducts.com](http://ingersollrandproducts.com)

© 2018 *Ingersoll Rand*

