



Cordless Tire Buffer Literature Pack G4911

User Manual

- EN** User Manual
- ES** Manual del Usuario
- FR** Manuel d'Utilisation
- PT** Manual do Usuário

EN

This manual contains safety and product information for

- Cordless Tire Buffer (G4911)
- IQ^{V20} Battery
- IQ^{V20} Battery Charger

This manual contains parts lists for

- Cordless Tire Buffer (G4911)
- IQ^{V20} Battery Charger

ES

Este manual contiene información de seguridad y de producto de

- Pulidor de neumáticos sin cable (G4911)
- Batería de IQ^{V20}
- Cargador de la batería de IQ^{V20}

Este manual contiene la lista de piezas de

- Pulidor de neumáticos sin cable (G4911)
- Cargador de la batería de IQ^{V20}

FR

Ce manuel contient les informations de sécurité et de renseignements sur le produit pour

- Lustreuse de pneus sans fil (G4911)
- Batterie IQ^{V20}
- Chargeur de batterie IQ^{V20}

Ce manuel contient des listes de pièces pour

- Lustreuse de pneus sans fil (G4911)
- Chargeur de batterie IQ^{V20}

PT

Este manual contém informações de segurança e sobre produtos para:

- Retificadora de pneus sem fio (G4911)
- Bateria IQ^{V20}
- Carregador de baterias IQ^{V20}

Este manual contém listas de peças para:

- Retificadora de pneus sem fio (G4911)
- Carregador de baterias IQ^{V20}



Save These Instructions

IR Ingersoll Rand®



This section contains product safety information for

- Cordless Tire Buffer (G4911)
- IQ^{V20} Battery
- IQ^{V20} Battery Charger

Esta sección contiene información de seguridad de productos de

- Pulidor de neumáticos sin cable (G4911)
- Batería de IQ^{V20}
- Cargador de la batería de IQ^{V20}

Cette section contient des informations sur la sécurité des produits pour

- Lustreuse de pneus sans fil (G4911)
- Batterie IQ^{V20}
- Chargeur de batterie IQ^{V20}

Esta secção contém informações sobre segurança do produtos para:

- Retificadora de pneus sem fio (G4911)
- Bateria IQ^{V20}
- Carregador de baterias IQ^{V20}

Product Safety Information

- EN Product Safety Information
- ES Información de Seguridad sobre el Producto
- FR Informations de Sécurité du Produit
- PT Informações de Segurança do Produto



Save These Instructions

Product Safety Information: Cordless Tire Buffer

Product Description:

Cordless Tire Buffer is a battery-powered, hand-held power tool equipped with 7/16" hexagonal quick change slip chuck that is driven in a rotary motion.

Recommended Accessories

Accessories for a power tool are defined as items that are installed in or on the tool and become the working interface between the tool and the work piece. They are typically consumable and can be purchased separately from the tool. Accessories should be selected to match the work being done and the material being worked. All warning and recommendations of the accessory manufacturer must be followed in addition to the warning given here. Failure to observe these warnings could result in death or serious injury.

This Cordless Tire Buffer is designed to use accessories such as tire buffing cones and reamers specifically for the service and repair of rubber tires. Do not use grinding or cut-off wheels, circular saw blades, or router cutters with this Cordless Tire Buffer.

WARNING

⚠ WARNING: Read all safety warnings, instructions, illustrations, and specifications provided with this power tool. Failure to follow the warnings and instructions may result in electric shock, fire and/or serious injury. Save all warnings and instructions for future reference. The term "power tool" in all the warnings listed below refers to your mains operated (corded) power tool or battery operated (cordless) power tool.

General Safety Rules

- **It is your responsibility to make this safety information available to others that will operate this product.** Failure to follow standards and regulations can cause personal injury.
- **Always install, operate, inspect and maintain this product in accordance with all applicable standards and regulations (local, state, country, federal, etc.).** Compliance is your responsibility. Failure to follow standards and regulations can cause personal injury.

Work Area Safety

- **Keep your work area clean and well lit.** Cluttered benches and dark areas invite accidents.
- **Do not operate power tools in explosive atmospheres, such as in the presence of flammable liquids, gases, or dust.** Power tools create sparks which may ignite the dust or fumes.
- **Keep children and bystanders away while operating a power tool.** Distractions can cause you to lose control.
- **Be aware of buried, hidden or other hazards in your work environment. Do not contact or damage cords, conduits, pipes or hoses that may contain electrical wires, explosive gases or harmful liquids.** Electric shock, fire or personal injury may result.

Electrical Safety

- **Power tool plugs must match the outlet. Never modify the plug in any way. Do not use any adapter plugs with earthed (grounded) power tools.** Unmodified plugs and matching outlets will reduce risk of shock.
- **Avoid body contact with earthed or grounded surfaces such as pipes, radiators, ranges and refrigerators.** There is an increased risk of electric shock if your body is earthed or grounded.
- **Do not expose power tools to rain or wet conditions.** Water entering a power tool will increase the risk of electric shock.
- **Do not abuse the cord. Never use the cord for carrying, pulling or unplugging the power tool. Keep cord away from heat, oil, sharp edges or moving parts.** Damaged or entangled cords increase the risk of electric shock.
- **When operating a power tool outdoors, use an extension cord suitable for outdoor use.** Use of a cord suitable for outdoor use reduces the risk of electric shock.
- **If operating a power tool in a damp location is unavoidable, use a residual current device (RCD) protected supply.** Use of an RCD reduces the risk of electric shock.

Personal Safety

- **Stay alert, watch what you are doing and use common sense when operating a power tool. Do not use power tool while tired or under the influence of drugs, alcohol, or medication.** A moment of inattention while operating power tools may result in serious personal injury.
- **Use personal protective equipment. Always wear eye protection.** Protective equipment such as a dust mask, non-skid safety shoes, hard hat or hearing protection used for appropriate conditions will reduce personal injuries.
- **Prevent unintentional starting. Ensure the switch is in the off-position before connecting to power source and/or battery pack, picking up or carrying the tool.** Carrying power tools with your finger on the switch or energizing power tools that have the switch on invites accidents.
- **Remove any adjusting key or wrench before turning the power tool on.** A wrench or a key that is left attached to a rotating part of the power tool may result in personal injury.
- **Do not overreach. Keep proper footing and balance at all times.** This enables better control of the power tool in unexpected situations.
- **Dress properly. Do not wear loose clothing or jewelry. Contain long hair. Keep your hair, clothing, and gloves away from moving parts.** Loose clothes, jewelry, or long hair can be caught in moving parts.
- **If devices are provided for the connection of dust extraction and collection facilities, ensure these are connected and properly used.** Use of these devices can reduce dust related hazards.
- **Do not let familiarity gained from frequent use of tools allow you to become complacent and ignore tool safety principles.** A careless action can cause severe injury within a fraction of a second.
- **Prevent exposure and breathing of harmful dust and particles created by power tool use.**
 - a. Some dust created by power sanding, sawing, grinding, drilling, and other construction activities contains chemicals known to cause cancer, birth defects or other reproductive harm. Some examples of these chemicals are:
 - i. Lead from lead based paints,
 - ii. Crystalline silica from bricks and cement and other masonry products, and
 - iii. Arsenic and chromium from chemically treated lumber.
 - b. Your risk from these exposures varies, depending on how often you do this type of work. To reduce your exposure to these chemicals: work in a well ventilated area, and work with approved safety equipment, such as those dust masks that are specially designed to filter out microscopic particles.
- **Stop using any tool if discomfort, tingling feeling or pain occurs.** Vibration, repetitive motions or uncomfortable positions may be harmful to your hands and arms. Power tools can vibrate in use. Seek medical advice before resuming use.
- **The vibration emission during actual use of power tool can differ from the declared value depending on the ways in which the tool is used.** Take appropriate safety measure to protect the operator, based on an estimation of exposure during actual usage.

- **Avoid contact with moving parts of tool.** Tool and/or accessories may briefly continue their motion after power is removed creating a risk of entanglement or other personal injury.
- **Use clamps or other practical way to secure and support the workpiece to a stable platform.** Holding the work by hand or against your body is unstable and may lead to loss of control.

Power Tool Use and Care

- **Do not force the power tool. Use the correct power tool for your application.** The correct power tool will do the job better and safer at the rate for which it is designed.
- **Do not use the power tool if the switch does not turn it on or off.** Any power tool that cannot be controlled by the switch is dangerous and must be repaired.
- **Disconnect the plug from the power source and/or remove the battery pack, if detachable, from the power tool before making any adjustments, changing accessories, or storing the power tool.** Such preventive safety measures reduce the risk of starting the tool accidentally.
- **Store idle power tools out of the reach of children and do not allow persons unfamiliar with the power tool or these instructions to operate the power tool.** Tools are dangerous in the hands of untrained users.
- **Maintain power tools and accessories. Check for misalignment or binding of moving parts, breakage of parts, and any other condition that may affect the power tools operation. If damaged, have the power tool serviced before using.** Many accidents are caused by poorly maintained power tools.
- **Keep cutting tools sharp and clean.** Properly maintained tools with sharp cutting edges are less likely to bind and are easier to control. Keep handles clean and dry to maintain control.
- **Use the power tool, accessories and tool bits etc., in accordance with these instructions and in the manner intended for the particular type of power tool, taking into account the working conditions and the work to be performed.** Use of the power tool for operations different from intended could result in a hazardous situation.
- **Keep handles and grasping surfaces dry, clean and free from oil and grease.** Slippery handles and grasping surfaces do not allow for safe handling and control of the tool in unexpected situations.
- **When wearing gloves always be sure that the gloves will not prevent the throttle mechanism from being released.** Personal injury may result.
- **Do not remove any labels. Replace any damaged label.** Labels provide information required for safe use of the product.

Battery Tool Use and Care

- **Recharge only with the charger specified by the manufacturer.** A charger that is suitable for one type of battery pack may create a risk of fire when used with another battery pack.
- **Use power tools only with specifically designated battery pack.** Use of any other battery pack may create a risk of injury and fire.
- **When battery pack is not in use, keep it away from other metal objects, like paper clips, coins, keys, nails, screws or other small metal objects, that can make a connection from one terminal to another.** Shorting the battery terminals together may cause burns or a fire.
- **Under abusive conditions, liquid may be ejected from the battery; avoid contact. If contact accidentally occurs, flush with water. If liquid contacts eyes, additionally seek medical help.** Liquid ejected from the battery may cause irritation or burns.
- **Do not use a battery pack or tool that is damaged or modified.** Damaged or modified batteries may exhibit unpredictable behavior resulting in fire, explosion or risk of injury.
- **Do not expose a battery pack or tool to fire or excessive temperature.** Exposure to fire or temperature above 130°C (265°F) may cause explosion.
- **Follow all charging instructions and do not charge the battery pack or tool outside the temperature range specified in the instructions.** Charging improperly or at temperatures outside the specified range may damage the battery and increase the risk of fire.
- **Ensure switch is in the off position before inserting battery pack.** Inserting the battery pack into power tool with the switch on invites accidents.
- **Disconnect battery pack from tool or place the switch in a locked off position before making any adjustments or changing accessories.** Such preventive safety measures reduce the risk of starting the tool accidentally.
- **Electric tools will overheat if they remain on when the tool motor is severely loaded, stalled or otherwise kept from rotating. Turn tool off when this occurs.** Continuing to power tool in this condition may result in heat, smoke or fire with injury or property damage.
- **Disconnect battery pack from tool before storing tool or placing in a tool box or bag. Accidental starting while storing or transporting may cause several hazardous conditions including an overheated tool.** Uncontrolled tool operation may cause various hazards including heat, smoke or fire.
- **Do not block the housing cooling air holes as this may cause overheating of the tool.** Use of the tool in this condition may result in heat, smoke or fire with injury or property damage.
- **The tool may overheat during continuous use or other severe duty cycles. Immediately stop operation and let the tool cool if any part of the tool becomes too hot to touch or if there is any indication of smoke from the motor.** Continuing to use the tool under these conditions will cause tool damage and may result in injury or property damage from heat or fire.
- **Immediately stop use and replace any battery that gets excessively warm in use or offers very short usage times.** Typically these batteries have a high number of charge/discharge cycles or may be old or damaged. Continuing to use an impaired battery may result in injury or property damage from heat, fire or explosion.
- **Do not modify this tool, safety devices, or accessories.** Unauthorized modifications may result in electric shock, fire or personal injury.
- **Use only accessories that are recommended by Ingersoll Rand for your model.** Accessories that may be suitable for one tool, may become hazardous when used on another tool.
- **When wearing gloves always be sure that the gloves will not prevent the throttle mechanism from being released.** Personal injury may result.
- **Do not remove any labels. Replace any damaged label.** Labels provide information required for safe use of the product.
- **Ambient temperature range during operation and storage: 0°C-45°C (32°F-113°F).**
- **Recommended ambient temperature range during charging: 5°C-40°C (41°F-104°F).**

Service

- **Have your power tool serviced by qualified repair person using only identical replacement parts.** This will ensure that the safety of the power tool is maintained.
- **Never service damaged battery packs.** Service of battery packs should only be performed by the manufacturer or authorized service providers.
- **When servicing a tool, use only genuine Ingersoll Rand replacement parts and follow all Maintenance Instructions.** Use of unauthorized parts or failure to follow Maintenance Instructions may create a risk of electric shock or injury.
- **Do not dispose of batteries in fire, incinerate or heat above 100°C (212°F).** Batteries present a risk of fire or chemical burn if mistreated.
- **Responsibly recycle or dispose of batteries in accordance with all applicable standards and regulations (local, state, country, federal, etc.).** Improper disposal may endanger the environment.


WARNING
Product Specific Safety Rules

- **Hold tool by insulating gripping surfaces when performing an operation where the cutting tool or fasteners may contact hidden wiring.** Cutting tool or fasteners contacting a "live" wire may make exposed metal parts of the power tool "live" and could give the operator an electric shock.
- **Socket mounting of accessories must match the chuck of Tire Buffer.** Accessories that do not match the mounting hardware of the power tool will run out of balance, vibrate excessively and may cause loss of control.
- **Use only the accessories listed in the manual (one buffing, one small reamer bit, and one large reamer bit).** Loss of control can cause personal injury.
- **When a suspension device is used, ensure that it is securely fastened.** Failure to secure may result in loss of control, unexpected motion, or dropping of the tool.
- **Keep clear of pinch point between reaction bar or support handles and any fixed object in work area.** Pinching or other injury may occur.
- **Keep body stance balanced and firm. Do not overreach when operating this tool.** Anticipate and be alert for sudden changes in motion, reaction torques, or forces during start up and operation. The operator should change posture during extended tasks, which can help avoid discomfort and fatigue.
- **Appropriate controls to reduce the risk from noise hazards may include actions such as damping materials to prevent workpieces from "ringing".**
- **Do not convert this power tool to operate in a way which is not specifically designed and specified by the tool manufacturer.** Such a conversion may result in a loss of control and cause serious personal injury.

Product Specific Safety Rules (Tire Buffer Only)

- **Operation such as drilling is not recommended to be performed with tools that function as a buffer.** Operations for which the power tool was not designed may create a hazard and cause personal injury.
- **Ensure work pieces are secure.** Use clamps or vises to hold work piece whenever possible.
- **Failure of the workpiece, the rotating parts of the tool or accessory, or debris from the material being worked, can generate high-velocity projectiles.**
- **Before starting this tool and during operation, the operator shall pay attention that no bystanders are in the vicinity.**
- **After installing an accessory, make certain no one is in front of or in line with the rotating accessory.** Be aware that it may fail at this time if it is defective, improperly mounted or the wrong size and speed. Stop immediately if considerable vibration or other defects are detected. Shut off the power tool and determine the cause.
- **Do not use this tool if the actual free speed exceeds the rated rpm.** Check the free speed of the tool before installing an accessory, after all tool repairs, before each job and after every 8 hours of use. Check speed with a calibrated tachometer, without any accessory installed.
- **Do not use any accessory whose maximum operating speed, as defined by its manufacturer, is less than the rated speed of the tool.**
- **Ensure that the accessory is correctly mounted and tightened before use.**
- **To prevent excessive overhang, the shaft of the accessory shall be inserted to the full depth of the gripping jaws of the collet and the resulting overhung length shall be no greater than the inserted depth.**
- **Inspect collet, threads and nut for damage & wear prior to mounting accessory.** Thread-on collets shall be securely seated against the driving member.

Dust and fume hazards

- **Wear appropriate respiratory protection if dust or fumes are present in the work area.**
- **Dust and fumes generated when using power tools, and existing dust disturbed by their use, can cause ill health (for example, cancer, birth defects, asthma and/or dermatitis).** Risk assessment and implementation of appropriate controls for these hazards are essential. The priority shall be to control them at the source.
- **Direct the exhaust so as to minimize disturbance of dust in a dust-filled environment.**
- **All integral features or accessories for the collection, extraction or suppression of airborne dust or fumes should be correctly used and maintained in accordance with the manufacturer's instruction.**
- **Do not use this tool on materials whose dust or fumes are flammable or that can cause a potentially explosive environment.**
- **Accessories should be selected, inspected, properly installed, maintained and replaced when worn to prevent an unnecessary increase in dust or fumes.**

Accessory hazards

- Ensure that the accessory is correctly mounted and tightened before use.
- Use only sizes and types of accessories that are recommended by the tool manufacturer; do not use other types or sizes of accessories.
- Inspect all accessories prior to mounting. Do not use an accessory that is chipped, cracked, non-concentric, excessively worn or otherwise damaged.
- Do not use an accessory that has been exposed to freezing temperatures, extreme temperature changes, high humidity, solvents, water or other liquids.
- Make certain the accessory properly fits the shaft. The accessory should not fit too snugly or too loosely. Do not use reducing bushings to adapt an accessory to any shaft unless such bushings are supplied by and recommended by the accessory manufacturer.
- When accessories are supplied with reducing bushings, the user shall ensure that the bushing does not interfere and that the clamping force provides sufficient rotational driving action to prevent the accessory from slipping.
- Always match collet size with accessory shaft size.
- Do not use grinding or cut-off wheels with a rotary Die Grinder and Tire Buffer.
- Accessory manufacturers' safety precautions and warnings, operating restrictions, and installation or mounting instructions shall be followed, unless it contradicts information provided in this manual or other literature provided with the tool. For contradictory information follow whichever is the most restrictive guideline.

NOTICE

Refer to Product Information Manual for Model Specific Safety Information.

Safety Symbol Identification



Wear Respiratory Protection



Wear Eye Protection



Wear Hearing Protection



Wear Eye and Hearing Protection






Read Manuals before Operating Product



Risk of Burn; Surface may be Hot.

(Dwg. 16589525_EN)

Safety Information - Explanation of Safety Signal Words

 DANGER	Indicates an imminently hazardous situation which, if not avoided, will result in death or serious injury.
 WARNING	Indicates a potentially hazardous situation which, if not avoided, could result in death or serious injury.
 CAUTION	Indicates a potentially hazardous situation which, if not avoided, may result in minor or moderate injury or property damage.
NOTICE	Indicates information or a company policy that relates directly or indirectly to the safety of personnel or protection of property.

Product Safety Information: Battery

Product Description

A Battery is an electric energy storage device used as the power source for **Ingersoll Rand** cordless products.

WARNING

WARNING: Read all safety warnings, instructions, illustrations, and specifications provided with this power tool. Failure to follow the warnings and instructions may result in electric shock, fire and/or serious injury.

General Battery Safety Warnings

- Save all warnings and instructions for future reference.
- It is your responsibility to make this safety information available to others that will operate this product. Failure to follow standards and regulations can cause personal injury.
- Always install, operate, inspect and maintain this product in accordance with all applicable standards and regulations (local, state, country, federal, etc.). Compliance is your responsibility. Failure to follow standards and regulations can cause personal injury.
- The term "power tool" in the warnings refers to your battery-operated (cordless) power tool.

Electrical Safety

- Do not expose batteries or power tools to rain or wet conditions. Water entering a battery or power tool will increase the risk of electric shock.

Personal Safety

- Do not modify this product, safety devices, or accessories. Unauthorized modifications may result in electric shock, fire or personal injury.

Battery and Power Tool Use and Care

- Recharge only with the charger specified by the manufacturer. A charger that is suitable for one type of battery pack may create a risk of fire when used with another battery pack. See Charger Product Information manual for additional charger specific warnings.
- Use power tools only with specifically designated battery packs. Use of any other battery packs may create a risk of injury and fire.
- When battery pack is not in use, keep it away from other metal objects, like paper clips, coins, keys, nails, screws or other small metal objects, that can make a connection from one terminal to another. Shorting the battery terminals together may cause burns or a fire.
- Under abusive conditions, liquid may be ejected from the battery; avoid contact. If contact accidentally occurs, flush with water. If liquid contacts eyes, additionally seek medical help. Liquid ejected from the battery may cause irritation or burns.
- Do not use a battery pack or tool that is damaged or modified. Damaged or modified batteries may exhibit unpredictable behavior resulting in fire, explosion or risk of injury.
- Do not expose a battery pack or tool to fire or excessive temperature. Exposure to fire or temperature above 130°C (265°F) may cause explosion.
- Follow all charging instructions and do not charge the battery pack or tool outside the temperature range specified in the instructions. Charging improperly or at temperatures outside the specified range may damage the battery and increase the risk of fire.
- Store idle batteries and power tools out of the reach of children and do not allow persons unfamiliar with the battery or power tool or these instructions to operate the battery or power tool. Batteries and power tools are dangerous in the hands of untrained users.
- Use the battery, power tool, accessories and tool bits etc. in accordance with these instructions, taking into account the working conditions and the work to be performed. Use of the battery or power tool for operations different from those intended could result in a hazardous situation.
- Immediately stop use and replace any battery that gets excessively warm in use or offers very short usage times. Typically these batteries have a high number of charge/discharge cycles or may be old or damaged. Continuing to use an impaired battery may result in injury or property damage from heat, fire or explosion.
- Do not remove any labels. Replace any damaged label. Labels provide information required for safe use of the product.
- Do not subject batteries to mechanical shock.
- Do not leave a battery on prolonged charge when not in use.
- When possible, remove the battery from the equipment when not in use.
- Do not use batteries which have been physically damaged.

Service

- **Never service damaged battery packs.** Service of battery packs should only be performed by the manufacturer or Authorized service providers.
- **Do not dispose of batteries in fire, incinerate or heat above 100°C (212°F).** Batteries present a risk of fire or chemical burn if mistreated.
- **Responsibly recycle or dispose of batteries in accordance with all applicable standards and regulations (local, state, country, federal, etc.).** Improper disposal may endanger the environment.
- **Do not open cover or casing. There are no user serviceable items inside.** Electric shock or other personal injury may result.

NOTICE

Refer to Product Information Manual for Model Specific Safety Information.

Safety Symbol Identification



Risk of
Electric Shock



Read Manuals before
Operating Product

(Dwg. 16573735_EN)

Safety Information - Explanation of Safety Signal Words

DANGER	Indicates an imminently hazardous situation which, if not avoided, will result in death or serious injury.
WARNING	Indicates a potentially hazardous situation which, if not avoided, could result in death or serious injury.
CAUTION	Indicates a potentially hazardous situation which, if not avoided, may result in minor or moderate injury or property damage.
NOTICE	Indicates information or a company policy that relates directly or indirectly to the safety of personnel or protection of property.

Product Safety Information: Battery Charger

Product Description

A Battery Charger is an electrical device that converts alternating current electric power to direct current electric power used to charge electric storage batteries.

WARNING

WARNING: Read all safety warnings, instructions, illustrations, and specifications provided with this power tool. Failure to follow all instructions listed below, may result in electric shock, fire and/or serious personal injury.

General Safety Rules

- It is your responsibility to make this safety information available to others that will operate this product. Failure to follow standards and regulations can cause personal injury.
- **Always install, operate, inspect and maintain this product in accordance with all applicable standards and regulations (local, state, country, federal, etc.).** Compliance is your responsibility. Failure to follow standards and regulations can cause personal injury.
- **This Product can be used by children aged from 8 years and above and persons with reduced physical, sensory or mental capabilities or lack of experience and knowledge if they have been given supervision or instruction concerning use of the Product in a safe way and understand the hazards involved. Children shall not play with the Product. Cleaning and user maintenance shall not be made by children without supervision.**

Work Area Safety

- **Do not operate battery charger in explosive atmospheres, such as in the presence of flammable liquids, gases, or dust.** A battery charger may create sparks which may ignite the dust or fumes.

Electrical Safety

- **Double insulated products are equipped with a polarized plug (one blade is wider than the other). This plug will fit in a polarized outlet only one way. If the plug does not fit fully in the outlet, reverse the plug. If it still does not fit, contact a qualified electrician to install a polarized outlet. Do not change the plug in any way.** Double insulation eliminates the need for the three wire grounded power cord and grounded power supply system.

- **Do not abuse the cord. Never use the cord for carrying, pulling or unplugging the power tool. Keep cord away from heat, oil, sharp edges or moving parts.** Damaged or entangled cords increase the risk of electric shock.
- **A battery powered product with integral batteries or a separate battery pack must be recharged only with the specified charger for the battery.** A charger that may be suitable for one type of battery may create a risk of fire when used with another battery.
- **Charger is for indoor use only. Do not expose charger to rain. Do not use charger in damp or wet locations.** Electric shock or other personal injury may result.
- **Always use specified supply voltage.** Incorrect voltage can cause electrical shock, fire, abnormal operation and may result in personal injury.
- **Avoid contacting the battery charging terminals with fingers, wire or other conductive material. Only connect to approved Ingersoll Rand battery.** Electric shock or other personal injury may result.
- **Do not attempt to recharge non-rechargeable batteries.** Electric shock, fire or personal injury may result.

Personal Safety

- **Do not modify this product, safety devices, or accessories.** Unauthorized modifications may result in electric shock, fire or personal injury.
- **Do not use this product for purposes other than those recommended.** Electric shock, fire or other personal injury may result.
- **Locate the charger in a stable position prior to plugging into a power source. Keep the charger out of reach of children.** Improper location or use by children may result in electric shock, fire or personal injury.

Use and Care

- **Never use a damaged or malfunctioning charger. Immediately unplug charger and get it repaired or replaced.** Continued use may result in electric shock, fire or personal injury.
- **Do not remove any labels. Replace any damaged label.** Labels provide information required for safe use of the product.

Service

- **Service must only be performed by an Authorized Ingersoll Rand Service Center or similarly qualified repair personnel.** Service or maintenance performed by unqualified personnel could result in a risk of injury. Consult your nearest **Ingersoll Rand** Authorized Service Center.
- **Do not open cover or casing. There are no user serviceable items inside.** Electric shock or other personal injury may result.
- **If the supply cord is damaged, it must be replaced by an Ingersoll Rand Authorized Service Center or similarly qualified repair personnel.** Damaged and improperly installed cords increase the risk of electric shock.

NOTICE

Refer to Product Information Manual for Model Specific Safety Information.

Safety Symbol Identification



Risk of
Electric Shock



Indoor Use Only



Read Manuals before
Operating Product

(Dwg. 16590275_EN)

Safety Information - Explanation of Safety Signal Words

DANGER	Indicates an imminently hazardous situation which, if not avoided, will result in death or serious injury.
WARNING	Indicates a potentially hazardous situation which, if not avoided, could result in death or serious injury.
CAUTION	Indicates a potentially hazardous situation which, if not avoided, may result in minor or moderate injury or property damage.
NOTICE	Indicates information or a company policy that relates directly or indirectly to the safety of personnel or protection of property.

Product Parts Information

CAUTION

The use of other than genuine Ingersoll Rand replacement parts may result in safety hazards, decreased tool performance and increased maintenance, and may invalidate all warranties.

Repairs should be made only by authorized trained personnel. Consult your nearest Ingersoll Rand Authorized Service Center.

Original instructions are in English. Other languages are a translation of the original instructions.

Manuals can be downloaded from ingersollrand.com

Refer all communications to the nearest **Ingersoll Rand** Office or Distributor.

Información de Seguridad Sobre el Producto: Pulidor de neumáticos sin cable

Descripción del Producto

El pulidor de neumáticos inalámbrico es una herramienta eléctrica manual alimentada por batería, equipada con un mandril hexagonal de cambio rápido de 7/16 in que se acciona con un movimiento giratorio.

Accesorios recomendados

Los accesorios para una herramienta eléctrica se definen como aquellos artículos que se instalan dentro de la herramienta o sobre ella y que se transforman en la interfaz de trabajo entre la herramienta y la pieza de trabajo. Generalmente, son consumibles y pueden comprarse de manera separada a la herramienta. Los accesorios deberán seleccionarse para que coincidan con el trabajo que se realiza y con el material sobre el cual se trabaja. Se deberán respetar todas las advertencias y recomendaciones del fabricante de los accesorios además de la advertencia que se proporciona en este documento. El incumplimiento de estas advertencias puede resultar en lesiones graves o incluso la muerte.

Esta pulidora de neumáticos sin cable está diseñada para utilizar accesorios como conos pulidores de neumáticos y escariadores específicos para el servicio y la reparación de neumáticos de caucho. No utilice discos de amolar o de corte, hojas de sierra circular ni fresas con esta pulidora de neumáticos sin cable.

ADVERTENCIA

⚠ ADVERTENCIA: Consulte todas las advertencias de seguridad, instrucciones, ilustraciones y especificaciones que acompañan a esta herramienta motorizada. Si no se siguen las instrucciones descritas más adelante, pueden producirse descargas eléctricas, incendios o lesiones corporales graves. Guarde todos los avisos e instrucciones para su futura consulta. El término "herramienta motorizada" de todos los avisos que se muestran a continuación hace referencia a la herramienta motorizada que funciona mediante la red de suministro (con cable) o la que funciona con batería (sin cable).

Normas Generales de Seguridad

- **Es su responsabilidad poner esta información de seguridad a disposición de quienes vayan a utilizar el aparato.** Si no se siguen estas regulaciones y estándares, pueden producirse lesiones corporales.
- **Instale, utilice, inspeccione y conserve siempre este producto de acuerdo con todas las regulaciones y estándares aplicables (locales, estatales, nacionales, federales, etc.).** Su cumplimiento es responsabilidad suya. Si no se siguen estas regulaciones y estándares, pueden producirse lesiones corporales.

Seguridad En El Área

- **Mantenga la zona de trabajo limpia y bien iluminada.** Un área de trabajo sucia o con una mala iluminación puede provocar accidentes.
- **No utilice herramientas motorizadas en entornos potencialmente explosivos, como líquidos, gases o polvos inflamables.** Las herramientas motorizadas originan chispas que pueden inflamar el polvo o los vapores.
- **Mantenga alejados a visitantes y niños mientras utilice la herramienta motorizada.** Una distracción puede hacer que pierda el control.
- **Tenga en cuenta los peligros ocultos o de cualquier otro tipo en el entorno de trabajo.** Tenga cuidado de no dañar o hacer contacto con cables, conductos, tuberías o mangueras que puedan contener hilos eléctricos, gases explosivos o líquidos nocivos. Pueden producirse descargas eléctricas, incendios o lesiones corporales.

Seguridad Eléctrica

- **Las conexiones de la herramienta motorizada deben coincidir con la salida. No modifique el enchufe de ningún modo. No utilice enchufes de adaptación para herramientas motorizadas conectadas a tierra.** Si no modifica los enchufes y utiliza las salidas correspondientes, reducirá el riesgo de descargas eléctricas.
- **Evite el contacto directo con superficies conectadas a tierra, como tuberías, radiadores, cadenas o refrigeradores.** Si el usuario entra en contacto con algún elemento con conexión a tierra, existe un gran riesgo de sufrir descargas eléctricas.
- **No permita que las herramientas motorizadas queden expuestas a la lluvia o a entornos de elevada humedad.** El contacto del agua con la herramienta motorizada incrementa el riesgo de que el usuario sufra descargas eléctricas.
- **No fuerce el cable. No utilice nunca el cable para arrastrar, tirar o desconectar la herramienta.** Manténgalo alejado del calor, aceites, bordes afilados o piezas móviles. Un cable dañado o enredado aumenta el riesgo de descarga eléctrica.
- **Al utilizar la herramienta motorizada en el exterior, utilice un cable alargador adecuado para el uso exterior.** El uso de un cable adecuado para el uso exterior reduce el riesgo de sufrir descargas eléctricas.
- **Si es inevitable utilizar una herramienta eléctrica en un lugar húmedo, utilice una alimentación protegida por un dispositivo de corriente residual (RCD).** El uso de un RCD reduce el riesgo de cortocircuito eléctrico.

Seguridad Personal

- **Permanezca alerta, preste atención a lo que hace y use el sentido común cuando utilice una herramienta motorizada. No utilice una herramienta motorizada si se encuentra cansado o bajo el efecto de drogas, alcohol o medicamentos.** Un momento de distracción mientras utiliza una herramienta motorizada puede provocar una lesión corporal grave.
- **Utilice siempre equipo de protección individual. Utilice siempre protección ocular.** El uso de equipos de protección, como mascarillas contra el polvo, calzado de seguridad antideslizante, casco duro o protección para los oídos en las situaciones correspondientes reducirá el riesgo de sufrir daños personales.
- **Evite la puesta en marcha involuntaria. Asegúrese de que el interruptor está en la posición de desconexión ("off") antes de conectar la herramienta a la fuente de alimentación o a la batería, levantarla o transportarla.** El transporte de herramientas motorizadas con el dedo sobre el interruptor o la activación de dichas herramientas con el interruptor en la posición de conexión aumenta el riesgo de accidentes.
- **Extraiga cualquier llave de ajuste antes de encender la herramienta motorizada.** Una llave unida a una parte móvil de la herramienta motorizada puede provocar lesiones corporales.
- **No fuerce la postura. Manténgase en posición firme y en equilibrio en todo momento.** De este modo, podrá controlar mejor la herramienta motorizada en situaciones inesperadas.
- **Utilice ropa adecuada. No lleve ropa suelta ni joyas. Recójase el pelo si lo lleva largo. Mantenga el pelo, la ropa y los guantes alejados de las piezas móviles.** La ropa suelta, las joyas o el pelo largo pueden engancharse en las piezas móviles.
- **Si los dispositivos cuentan con una conexión para sistemas de recogida y extracción de polvo, asegúrese de que ésta se utilice y se emplee de forma adecuada.** El uso de estos dispositivos puede reducir los riesgos derivados de la emisión de polvo.

- **No permita que la familiaridad adquirida con el uso frecuente de las herramientas le haga confiarse e ignorar sus principios de seguridad.** Una utilización negligente puede provocar lesiones graves en una fracción de segundo.
- **Evite respirar el polvo y las partículas nocivas que se producen al utilizar la herramienta, así como exponerse a ellos.**
 - a. Ciertos tipos de polvo que se producen al lijar, serrar, rectificar o taladrar y durante otras actividades de la construcción contienen sustancias químicas que causan cáncer, defectos de nacimiento y alteraciones en el sistema reproductor. A continuación, se describen algunos ejemplos de estas sustancias químicas:
 - i. El plomo de las pinturas con base de plomo
 - ii. La sílice cristalina de ladrillos y hormigón y otros productos asociados con la albañilería
 - iii. El arsénico y el cromo que produce la madera sometida a tratamientos químicos
 - b. El riesgo que representa una exposición de este tipo varía según la frecuencia con que se realice este tipo de trabajo. Para reducir la exposición a estas sustancias químicas: Trabaje en una zona bien ventilada y utilice un equipo de protección homologado, por ejemplo, una mascarilla especialmente diseñada para filtrar partículas microscópicas.
- **En caso de incomodidad, sensación de hormigueo o dolor, deje de usar la herramienta.** La vibración, los movimientos repetitivos o las posiciones incómodas pueden dañar brazos y manos. Las herramientas eléctricas pueden vibrar durante el uso. Consulte con el médico antes de volver a utilizarlas.
- **Evite el contacto con las piezas móviles de la herramienta.** Las herramientas y sus accesorios pueden continuar funcionando brevemente después de apagarse y provocar enredos y otras lesiones corporales.
- **La emisión de vibraciones durante el uso real de la herramienta eléctrica puede diferir del valor declarado según la manera en que se utilice la herramienta.** Adopte medidas de seguridad apropiadas para proteger al operador en base a una estimación de la exposición durante la utilización real.
- **Utilice mordazas u otros medios prácticos para asegurar y apoyar la pieza de trabajo en una superficie estable.** Sujetar la pieza trabajada con la mano o contra su cuerpo resulta inestable y puede provocar que pierda el control.

Utilización Y Cuidado De La Herramienta Motorizada

- **No fuerce la herramienta motorizada.** Utilice la herramienta motorizada correcta para su cometido. La herramienta motorizada correcta realizará el trabajo mejor y de manera más segura a la velocidad para la que ha sido diseñada.
- **No utilice la herramienta motorizada si el interruptor no se desplaza a la posición de encendido o de apagado.** Cualquier herramienta motorizada que no pueda controlarse con el interruptor resulta peligrosa y debe repararse.
- **Desconecte el enchufe de la fuente de alimentación o, si es desmontable, retire el conjunto de baterías de la herramienta motorizada antes de realizar cualquier ajuste, cambiar los accesorios o guardar la herramienta.** Estas medidas preventivas de seguridad reducen el riesgo de encender la herramienta de forma accidental.
- **Guarde las herramientas motorizadas que no estén en uso fuera del alcance de los niños y no permita que manejen la herramienta personas que no estén familiarizadas con ella o con estas instrucciones.** Las herramientas resultan peligrosas en manos de usuarios que no están capacitados para manejarlas.
- **Mantenga las herramientas motorizadas y los accesorios en buenas condiciones. Compruebe que las piezas móviles no están desalineadas ni atascadas, que las piezas no están rotas y cualquier otra condición que pueda afectar a su funcionamiento. Si están dañadas, repare la herramienta motorizada antes de utilizarla.** Muchos accidentes son el resultado de herramientas motorizadas mal cuidadas.
- **Mantenga limpias y afiladas las herramientas cortantes.** Las herramientas que están bien cuidadas y con los filos afilados no se atascan fácilmente y resultan más fáciles de controlar. Mantenga los mangos limpios y secos para mantener el control de las herramientas.
- **Utilice la herramienta motorizada, los accesorios y los elementos de la herramienta según se indica en estas instrucciones y del modo adecuado en función del tipo específico de herramienta motorizada, teniendo en cuenta las condiciones de trabajo y la tarea que se va a realizar.** El uso de la herramienta motorizada para realizar tareas diferentes de aquellas para las que está destinada puede provocar situaciones de peligro.
- **Mantenga secas, limpias y libres de aceite y grasa las empuñaduras y las superficies de sujeción.** Las empuñaduras y las superficies de sujeción resbaladizas no permiten una utilización y un control seguros de la herramienta en situaciones inesperadas.
- **Si utiliza guantes, asegúrese de que no le impidan liberar el mecanismo del mando,** ya que eso podría provocar lesiones corporales.
- **No despegue ninguna etiqueta. Sustituya todas las etiquetas dañadas.** Las etiquetas le aportan información para la utilización segura del producto.

Utilización Y Cuidado De La Batería De La Herramienta

- **Recargue la batería sólo mediante el cargador especificado por el fabricante.** Un cargador apropiado para un tipo de conjunto de batería puede provocar un riesgo de incendio si se utiliza con otro conjunto de batería.
- **Utilice las herramientas motorizadas sólo con el paquete de baterías específicamente diseñado para ellas.** La utilización de otras baterías podría provocar un incendio o lesiones.
- **Cuando no se esté utilizando, mantenga el conjunto de batería alejado de otros objetos metálicos, como clips, monedas, llaves, clavos, tornillos u otros objetos metálicos pequeños que puedan crear una conexión desde un polo al otro.** Si se provoca un cortocircuito en los polos de las baterías, esto puede causar quemaduras o un incendio.
- **En condiciones de uso indebido, podría salirse el líquido de la batería, en cuyo caso, evite el contacto. Si la toca de forma accidental, lávese con agua. Si el líquido entra en contacto con los ojos, busque también ayuda médica.** El líquido expulsado de la batería puede provocar irritaciones o quemaduras.
- **No utilice ningún conjunto de batería ni herramienta que se haya dañado o modificado.** Las baterías dañadas o modificadas pueden comportarse de forma impredecible, lo que provocará incendios, explosiones o riesgos de lesiones.
- **No exponga un conjunto de baterías ni una herramienta a fuego o temperaturas excesivas.** La exposición al fuego o a temperaturas superiores a 130°C (265°F) puede provocar explosiones.
- **Siga todas las instrucciones de carga y no cargue el conjunto de batería ni la herramienta fuera del rango de temperatura especificado en las instrucciones.** Si la carga no se realiza adecuadamente o se efectúa a temperaturas fuera del rango especificado, pueden producirse daños en la batería y aumentar el riesgo de incendio.
- **Compruebe que el interruptor está en la posición de apagado antes de insertar la batería.** La inserción de la batería en la herramienta motorizada con el interruptor encendido puede provocar accidentes.
- **Desconecte las baterías de la herramienta o coloque el interruptor en posición de apagado bloqueada antes de realizar cualquier ajuste o cambiar los accesorios.** Estas medidas preventivas de seguridad reducen el riesgo de encender la herramienta de forma accidental.
- **Las herramientas eléctricas se sobrecalientan si permanecen encendidas cuando el motor de la herramienta está excesivamente cargado, cuando se cala y cuando no puede rotar por cualquier otra causa. Cuando esto suceda, apague la herramienta.** Si se sigue utilizando en estas condiciones, puede provocarse un exceso de calor, humo o fuego que puede causar lesiones o daños materiales.
- **Desconecte las baterías de la herramienta antes de su almacenamiento o colocación en una caja o bolsa de herramientas. El encendido accidental de la herramienta durante su almacenamiento o transporte puede provocar situaciones graves de peligro, incluido el sobrecalentamiento de la herramienta.** La utilización de la herramienta de forma descontrolada puede provocar varias situaciones de peligro, incluidos el sobrecalentamiento de la herramienta y la aparición de humo o fuego.

- **No bloquee los orificios de refrigeración de la carcasa para evitar que se sobrecaliente la herramienta.** Si se sigue utilizando en estas condiciones, puede provocarse un exceso de calor, humo o fuego que pueden causar lesiones o daños materiales.
- **La herramienta puede sobrecalentarse debido a un uso continuado o a ciclos de uso intensivo. Detenga inmediatamente su funcionamiento y deje que la herramienta se enfríe, si cualquiera de sus partes se calienta demasiado como para tocarla o si se observa cualquier indicio de humo procedente del motor.** Si se sigue utilizando en estas condiciones, puede dañarse la herramienta y causar lesiones o daños materiales debido al calentamiento o incendio.
- **Deje de utilizarla de inmediato y sustituya cualquier batería que se caliente en exceso por el uso o utilícela durante periodos muy cortos. Normalmente, estas baterías disponen de una elevada cantidad de ciclos de carga/descarga o pueden ser antiguas o estar dañadas.** El uso continuado de una batería dañada, puede causar lesiones o daños materiales debido a un calentamiento, incendio o explosión.
- **No modifique la herramienta, los dispositivos de seguridad ni los accesorios.** Las modificaciones no autorizadas pueden producir descargas eléctricas, incendios o lesiones corporales.
- **Utilice sólo accesorios recomendados por Ingersoll Rand para su modelo.** Los accesorios apropiados para una herramienta, pueden ser peligrosos si se utilizan con otra.
- **Si utiliza guantes, asegúrese de que no le impidan liberar el mecanismo del mando,** ya que eso podría provocar lesiones corporales.
- **No despegue ninguna etiqueta. Sustituya todas las etiquetas dañadas.** Las etiquetas le aportan información para la utilización segura del producto.
- **Rango de temperatura ambiente durante el funcionamiento y el almacenamiento: 0°C-45°C (32°F-113°F).**
- **Temperatura ambiente recomendada durante la carga: 5°C-40°C (41°F-104°F).**

Reparación

- **Haga que la reparación de su herramienta motorizada la lleve a cabo personal cualificado que utilice sólo piezas de repuesto idénticas.** De este modo, se garantizará la seguridad de la herramienta motorizada.
- **Nunca repare un conjunto de batería dañado.** Dicha reparación únicamente debe realizarla el fabricante o proveedores de servicio autorizados.
- **Cuando se repare una herramienta, se deben seguir las instrucciones de mantenimiento y utilizar sólo recambios originales de Ingersoll Rand.** La utilización de piezas no autorizadas o el incumplimiento de las instrucciones de mantenimiento podría provocar descargas eléctricas o lesiones.
- **No se deshaga de las baterías arrojándolas al fuego; no las queme ni las exponga a temperaturas superiores a los 100°C (212°F).** En caso de uso incorrecto, las baterías pueden causar incendios y quemaduras químicas.
- **Recicle las baterías o deshágase de ellas de forma responsable, de acuerdo con todos los estándares y regulaciones aplicables (locales, estatales, nacionales, federales, etc.)** La eliminación inadecuada de las baterías puede poner en peligro el medio ambiente.

ADVERTENCIA

Reglas de Seguridad Específicas del Producto

- **Sujete la herramienta por las superficies de agarre aislantes cuando lleve a cabo una tarea en la que la herramienta cortante o los elementos de sujeción puedan entrar en contacto con cables ocultos.** Si la herramienta cortante o los elementos de sujeción entran en contacto con un cable bajo tensión podrían hacer que las partes metálicas expuestas de la herramienta motorizada conduzcan la corriente y den una descarga eléctrica al usuario.
- **El montaje de los accesorios debe coincidir con el mandril del pulidor de neumáticos.** Los accesorios que no encajen en las piezas de montaje de la herramienta motorizada estarán desequilibrados, vibrarán en exceso y pueden provocar una pérdida del control.
- **Utilice únicamente los accesorios indicados en el manual (un pulidor, una broca escariadora pequeña y una broca escariadora grande).** La pérdida de control puede provocar lesiones corporales.
- **Cuando use un dispositivo de suspensión, asegúrese de que esté ajustado firmemente.** Si no está bien ajustado, puede provocar que pierda el control, que realice movimientos inesperados o que se le caiga la herramienta.
- **Procure que no haya zonas que en las que pueda quedar atrapado entre la barra de reacción o las empuñaduras de apoyo y cualquier objeto fijo del área de trabajo.** Podría quedar atrapado o sufrir alguna lesión corporal.
- **Mantenga una postura del cuerpo equilibrada y firme. No estire demasiado los brazos al manejar la herramienta.** Anticipe y esté atento a los cambios repentinos en el movimiento, pares de reacción u otras fuerzas durante la puesta en marcha y utilización. El operador debería cambiar de postura durante las tareas prolongadas; esto le ayudará a evitar molestias y fatiga.
- **Entre los controles adecuados para la reducción de los riesgos derivados de peligros de ruidos se encuentran medidas como el uso de materiales de amortiguación para evitar que las piezas "rechinen".**
- **No modifique esta herramienta eléctrica para que funcione de un modo que no esté específicamente diseñado y especificado por el fabricante de la herramienta.** Una modificación de este tipo puede provocar una pérdida de control y causar graves lesiones personales.

Reglas de Seguridad Específicas del Producto- (Solo pulidor de neumáticos)

- **No se recomienda realizar operaciones como taladrar con herramientas que funcionen como un pulidor.** Llevar a cabo operaciones para las que no ha sido diseñada la herramienta motorizada puede resultar peligroso y provocar lesiones personales.
- **Asegúrese de que las piezas de trabajo estén bien sujetas.** Utilice abrazaderas o tornillos de banco para sujetar la pieza de trabajo siempre que sea posible.
- **El fallo de la pieza de trabajo, las piezas giratorias de la herramienta o accesorio, o los restos del material que se trabaja, pueden generar proyectiles de alta velocidad.**
- **Antes de poner en marcha esta herramienta y durante su funcionamiento, el operario deberá prestar atención a que no haya transeúntes en las proximidades.**
- **Después de instalar un accesorio, asegúrese de que no haya nadie delante o en línea con el accesorio giratorio.** Tenga en cuenta que puede fallar en este momento si está defectuoso, mal montado o es del tamaño y velocidad incorrectos. Deténgase inmediatamente si se detectan vibraciones considerables u otros defectos. Apague la herramienta eléctrica y determine la causa.
- **No utilice esta herramienta si la velocidad libre real supera las rpm nominales.** Compruebe la velocidad libre de la herramienta antes de instalar un accesorio, después de toda reparación de la herramienta, antes de cada trabajo y después de cada 8 horas de uso. Compruebe la velocidad con un tacómetro calibrado, sin ningún accesorio instalado.
- **No utilice ningún accesorio cuya velocidad máxima de funcionamiento, definida por su fabricante, sea inferior a la velocidad nominal de la herramienta.**
- **Asegúrese de que el accesorio está correctamente montado y apretado antes de utilizarlo.**
- **Para evitar un saliente excesivo, el eje del accesorio se introducirá hasta la profundidad total de las mordazas de sujeción de la pinza y la longitud saliente resultante no será superior a la profundidad introducida.**
- **Inspeccione la pinza, las roscas y la tuerca en busca de daños y desgaste antes de montar el accesorio.** Las pinzas roscadas deberán estar firmemente asentadas contra el elemento motriz.

Peligros de polvo y gases

- Lleve la protección respiratoria adecuada si existe presencia de polvo o gases en la zona de trabajo.
- El polvo y los gases generados al usar herramientas eléctricas y el polvo existente que se mueve por la utilización de las mismas pueden causar problemas de salud (como, por ejemplo, cáncer, defectos congénitos, asma y/o dermatitis). Es fundamental evaluar los riesgos e implantar controles adecuados a estos peligros. La prioridad debe ser controlarlos en su fuente.
- Dirija el escape de modo que se minimice el movimiento de polvo en entornos con mucho polvo.
- Se deberían utilizar correctamente todas las funciones integrales o accesorios para la recogida, extracción o eliminación de polvo o gases en suspensión, y realizar las operaciones de mantenimiento de los mismos siguiendo las instrucciones del fabricante.
- No use esta herramienta en materiales que desprendan suciedad o vapores inflamables y que puedan dar lugar a un entorno potencialmente explosivo.
- Los accesorios se deben seleccionar, inspeccionar, instalar correctamente, mantener y sustituir cuando estén desgastados para evitar un aumento innecesario de suciedad y humos.

Riesgos relacionados con los accesorios

- Antes de utilizar la herramienta, asegúrese de que el accesorio esté correctamente montado y apretado.
- Utilice únicamente los tamaños y tipos de accesorios recomendados por el fabricante de la herramienta. No utilice otros tipos o tamaños de accesorios.
- Inspeccione todos los accesorios antes de montarlos. No utilice un accesorio que esté astillado, agrietado, descentrado, excesivamente desgastado o dañado de cualquier otro modo.
- No utilice un accesorio que haya estado expuesto a temperaturas de congelación, cambios extremos de temperatura, humedad elevada, disolventes, agua u otros líquidos.
- Asegúrese de que el accesorio se ajusta correctamente al eje. El accesorio no debe quedar ni demasiado apretado ni demasiado holgado. No utilice casquillos reductores para adaptar un accesorio a cualquier eje, a menos que dichos casquillos sean suministrados y recomendados por el fabricante del accesorio.
- Cuando los accesorios se suministren con casquillos reductores, el usuario se asegurará de que el casquillo no interfiera y de que la fuerza de sujeción proporcione una acción motriz de rotación suficiente para evitar que el accesorio se deslice.
- Haga coincidir siempre el tamaño de la pinza con el tamaño del eje del accesorio.
- No utilice ruedas abrasivas ni discos de corte con una amoladora de troqueles giratoria y un pulidor de neumáticos.
- Deben seguirse las precauciones y advertencias de seguridad, las limitaciones de funcionamiento y las instrucciones de instalación y montaje de los fabricantes de los accesorios, a menos que contradigan la información expuesta en este manual o en otra documentación suministrada con la herramienta. Si la información se contradice, siga las directrices más restrictivas.

AVISO

Si desea información de seguridad específica para su modelo, consulte el manual de información del producto.

Identificación de los Símbolos de Seguridad



Utilice protección respiratoria



Utilice protección ocular



Utilice protección acústica



Utilice protección ocular y acústica



Lea los manuales antes de utilizar el producto



Riesgo de quemaduras, superficie a alta temperatura

(Plano 16589525_ES)

Información de Seguridad - Explicación de los Mensajes de las Señales de Seguridad



PELIGRO

Indica una situación de peligro inminente que, de no evitarse, resultaría en lesiones graves o muerte.



ADVERTENCIA

Indica una situación potencialmente peligrosa que, de no evitarse, podría resultar en lesiones graves o muerte.



PRECAUCIÓN

Indica una situación potencialmente peligrosa que, de no evitarse, podría producir lesiones de leves a moderadas o daños en la propiedad.

AVISO

Indica información o una política de la empresa directa o indirectamente relacionada con la seguridad del personal o la protección de la propiedad.

Información de Seguridad Sobre el Producto: Batería

Descripción del producto

Una batería es un dispositivo de almacenamiento de energía eléctrica que se utiliza como fuente de alimentación para los productos inalámbricos de **Ingersoll Rand**.



ADVERTENCIA

ADVERTENCIA: Consulte todas las advertencias de seguridad, instrucciones, ilustraciones y especificaciones que acompañan a esta herramienta motorizada. No respetar los avisos e instrucciones puede resultar en descarga eléctrica, incendio o daños graves.

Advertencias de seguridad generales de la batería

- **Guarde todos los avisos e instrucciones para su futura consulta.**
- **Es su responsabilidad poner esta información de seguridad a disposición de quienes vayan a utilizar el aparato.** Si no se siguen estas regulaciones y estándares, pueden producirse lesiones corporales.
- **Instale, utilice, inspeccione y mantenga siempre este producto de acuerdo con todas las regulaciones y estándares aplicables (locales, estatales, nacionales, federales, etc.).** Su cumplimiento es responsabilidad suya. Si no se siguen estas regulaciones y estándares, pueden producirse lesiones corporales.
- El término "herramienta eléctrica" en las advertencias se refiere a su herramienta eléctrica accionada por batería (inalámbrica).

Seguridad eléctrica

- **No exponga las baterías o herramientas eléctricas a la lluvia o mojaduras.** El ingreso de agua a una batería o herramienta eléctrica incrementa el riesgo de descarga eléctrica.

Seguridad personal

- **No modifique el producto, los dispositivos de seguridad ni los accesorios.** Las modificaciones no autorizadas pueden producir descargas eléctricas, incendios o lesiones corporales.

Uso y cuidado de la batería y herramienta eléctrica

- **Recargue únicamente con el cargador especificado por el fabricante.** Un cargador apropiado para un tipo de conjunto de batería puede crear riesgo de incendio cuando se lo usa con otro conjunto de batería. Consulte el manual de información de producto del cargador para las advertencias adicionales específicas del cargador.
- **Use las herramientas eléctricas únicamente con conjuntos de batería diseñados específicamente.** El uso de cualquier otro conjunto de batería puede crear peligro de lesiones e incendio.
- **Cuando no utilice una batería, manténgala alejada de otros objetos metálicos como: clips, monedas, llaves, clavos, tornillos u otros objetos metálicos pequeños que puedan establecer conexión desde un polo al otro.** Colocar los polos de las baterías cerca puede provocar chispas, quemaduras o un incendio.
- **Bajo condiciones abusivas, la batería puede eyectar líquido. Evite el contacto. Si el contacto se produce accidentalmente, lávese con agua. Si el líquido hace contacto con los ojos, busque además ayuda médica.** El líquido eyectado de la batería puede causar irritación o quemaduras.
- **No utilice ningún conjunto de batería ni herramienta que se haya dañado o modificado.** Las baterías dañadas o modificadas pueden comportarse de forma impredecible, lo que provocará incendios, explosiones o riesgos de lesiones.
- **No exponga un conjunto de baterías ni una herramienta a fuego o temperaturas excesivas.** La exposición al fuego o a temperaturas superiores a 130°C (265°F) puede provocar explosiones.
- **Siga todas las instrucciones de carga y no cargue el conjunto de batería ni la herramienta fuera del rango de temperatura especificado en las instrucciones.** Si la carga no se realiza adecuadamente o se efectúa a temperaturas fuera del rango especificado, pueden producirse daños en la batería y aumentar el riesgo de incendio.
- **Almacene las baterías y herramientas eléctricas descargadas fuera del alcance de los niños y no permita que personas no familiarizadas con la batería o herramienta eléctrica o estas instrucciones accione la batería o herramienta eléctrica.** Las baterías y herramientas eléctricas son peligrosas en manos de usuarios no capacitados.
- **Use la batería, herramienta eléctrica, accesorios y herramientas de corte, etc., de acuerdo con estas instrucciones, tomando en cuenta las condiciones de trabajo y el trabajo a realizar.** El uso de la batería o herramienta eléctrica para funciones que difieran de las indicadas podría provocar una situación peligrosa.
- **Deje de utilizarla de inmediato y sustituya cualquier batería que se caliente en exceso por el uso o utilícela durante periodos muy cortos.** Normalmente, estas baterías disponen de una elevada cantidad de ciclos de carga/descarga o pueden ser antiguas o estar dañadas. El uso continuado de una batería dañada, puede causar lesiones o daños materiales debido a un calentamiento, incendio o explosión.
- **No despegue ninguna etiqueta. Sustituya todas las etiquetas dañadas.** Las etiquetas le aportan información para la utilización segura del producto.
- **No someta las batería a choques mecánicos.**
- **No deje la batería en carga prolongada cuando no está en uso.**
- **Cuando sea posible, retire la batería del equipo cuando no esté en uso.**
- **No use baterías que hayan sido dañadas físicamente.**

Reparación

- **Nunca repare un conjunto de batería dañado.** Dicha reparación únicamente debe realizarla el fabricante o proveedores de servicio autorizados.
- **No se deshaga de las baterías arrojándolas al fuego; no las queme ni las exponga a temperaturas superiores a los 100°C (212°F).** En caso de uso incorrecto, las baterías pueden causar incendios y quemaduras químicas.
- **Recicle las baterías o deshágase de ellas de forma responsable, de acuerdo con todos los estándares y regulaciones aplicables (locales, estatales, nacionales, federales, etc.).** La eliminación inadecuada de las baterías puede poner en peligro el medio ambiente.
- **No abra la cubierta o carcasa. En su interior, no hay elementos que el usuario pueda reparar.** Podría provocar descargas eléctricas u otras lesiones corporales.

AVISO

Si desea información de seguridad específica de su modelo, consulte el manual de información del producto.

Identificación de los símbolos de seguridad






Riesgo de descarga eléctrica



Lea los manuales antes de utilizar el producto

Información de seguridad - explicación de los mensajes de las señales de seguridad

 PELIGRO	Indica una situación de peligro inminente que, de no evitarse, resultaría en lesiones graves o muerte.
 ADVERTENCIA	Indica una situación potencialmente peligrosa que, de no evitarse, podría resultar en lesiones graves o muerte.
 PRECAUCIÓN	Indica una situación potencialmente peligrosa que, de no evitarse, podría producir lesiones de leves a moderadas o daños en la propiedad.
AVISO	Indica información o una política de la empresa directa o indirectamente relacionada con la seguridad del personal o la protección de la propiedad.

Información de Seguridad Sobre el Producto: Cargador de la Batería

Descripción del Producto

Un cargador de baterías es un dispositivo eléctrico que convierte la corriente alterna en continua. Ésta se utiliza para cargar las baterías eléctricas de almacenamiento.

ADVERTENCIA

ADVERTENCIA: Consulte todas las advertencias de seguridad, instrucciones, ilustraciones y especificaciones que acompañan a esta herramienta motorizada. Si no se siguen las instrucciones descritas más adelante, pueden producirse descargas eléctricas, incendios o lesiones corporales graves.

Normas Generales de Seguridad

- **Es su responsabilidad poner esta información de seguridad a disposición de quienes vayan a utilizar el aparato.** Si no se siguen estas regulaciones y estándares, pueden producirse lesiones corporales.
- **Instale, utilice, inspeccione y mantenga siempre este producto de acuerdo con todas las regulaciones y estándares aplicables (locales, estatales, nacionales, federales, etc.).** Su cumplimiento es responsabilidad suya. Si no se siguen estas regulaciones y estándares, pueden producirse lesiones corporales.
- **Este Producto puede ser utilizado por niños a partir de los 8 años de edad y por personas cuyas facultades físicas, sensoriales o mentales se encuentren limitadas o que no cuenten con los conocimientos ni la experiencia necesarios, siempre que sea bajo supervisión o siguiendo las instrucciones relativas al uso del Producto de forma segura y que sean conscientes de los riesgos que dicho uso entraña. Los niños no deben jugar con el Producto. La limpieza y el mantenimiento del usuario nunca deben ser efectuados por niños sin la debida supervisión.**

Seguridad en el área

- **No utilice el cargador de baterías en entornos potencialmente explosivos, como líquidos, gases o polvos inflamables.** Es posible que un cargador de baterías origine chispas que pueden inflamar el polvo o los vapores.

Seguridad Eléctrica

- **Los productos doblemente aislados poseen un enchufe polarizado (una clavija es más ancha que la otra). Este enchufe encajará de una sola forma en una toma polarizada. Si no encajara por completo en la toma, introdúzcalo del revés. Si aún no encaja, póngase en contacto con un electricista cualificado para que instale una toma polarizada. No modifique el enchufe de ninguna forma.** El doble aislamiento permite prescindir del cable eléctrico trifásico de puesta a tierra y del sistema de fuente de alimentación de puesta a tierra.
- **No fuerce el cable. No utilice nunca el cable para arrastrar, tirar o desconectar la herramienta. Manténgalo alejado del calor, aceites, bordes afilados o piezas móviles.** Un cable dañado o enredado aumenta el riesgo de descarga eléctrica.
- **Un producto motorizado que funciona con baterías integrales o con batería independiente debe recargarse sólo con el cargador específico de esa batería.** Un cargador adecuado para un tipo de batería podría provocar un incendio si se utiliza con otra batería.
- **El cargador sólo está destinado a uso interior. No exponga el cargador a la lluvia. No utilice el cargador en lugares húmedos o mojados.** Podría provocar descargas eléctricas u otras lesiones corporales.
- **Utilice siempre la tensión eléctrica de alimentación especificada.** Una tensión eléctrica inadecuada puede provocar descargas eléctricas, incendios, funcionamiento anormal y lesiones corporales.
- **Evite tocar las terminales de carga de la batería con los dedos, cables u otro material conductor. Conéctelo sólo con baterías aprobadas de Ingersoll Rand.** Podría provocar descargas eléctricas u otras lesiones corporales.
- **No intente recargar baterías no recargables.** Pueden producirse descargas eléctricas, incendios o lesiones corporales.

Seguridad Personal

- **No modifique el producto, los dispositivos de seguridad ni los accesorios.** Las modificaciones no autorizadas pueden producir descargas eléctricas, incendios o lesiones corporales.
- **No utilice este producto para otros fines que no sean los recomendados.** Pueden producirse descargas eléctricas, incendios u otras lesiones corporales.
- **Coloque el cargador en una posición estable antes de conectarlo a la fuente de alimentación. Mantenga el cargador fuera del alcance de los niños.** Una colocación inadecuada o la utilización por parte de niños puede provocar descargas eléctricas, incendios o lesiones corporales.

Utilización y Mantenimiento

- **No utilice nunca un cargador averiado o con problemas de funcionamiento. Desconecte el cargador inmediatamente y repárelo o sustitúyalo.** El uso continuado puede producir descargas eléctricas, incendios o lesiones corporales.
- **No despegue ninguna etiqueta. Sustituya todas las etiquetas dañadas.** Las etiquetas le aportan información para la utilización segura del producto.

Reparación

- **La realización sólo se deberá llevar a cabo en un centro de servicio autorizado de Ingersoll Rand o por personal cualificado.** La reparación o el mantenimiento realizado por personal no cualificado podría provocar lesiones.
- **No abra la cubierta o carcasa. En su interior, no hay elementos que el usuario pueda reparar.** Podría provocar descargas eléctricas u otras lesiones corporales.
- **Si el cable de alimentación está dañado, deberá sustituirse en un centro de servicio autorizado de Ingersoll Rand o con la ayuda de personal cualificado.** Los cables dañados o instalados de forma incorrecta aumentan el riesgo de descarga eléctrica.

AVISO

Si desea información de seguridad específica para su modelo, consulte el manual de información del producto.

Identificación de los Símbolos de Seguridad



Riesgo de descarga eléctrica



Sólo para uso interior



Lea los manuales antes de utilizar el producto

(Plano 16590275_ES)

Información de Seguridad - Explicación de los Mensajes de las Señales de Seguridad

⚠ PELIGRO Indica una situación de peligro inminente que, de no evitarse, resultaría en lesiones graves o muerte.

⚠ ADVERTENCIA Indica una situación potencialmente peligrosa que, de no evitarse, podría resultar en lesiones graves o muerte.

⚠ PRECAUCIÓN Indica una situación potencialmente peligrosa que, de no evitarse, podría producir lesiones de leves a moderadas o daños en la propiedad.

AVISO

Indica información o una política de la empresa directa o indirectamente relacionada con la seguridad del personal o la protección de la propiedad.

Información sobre las piezas del producto

⚠ PRECAUCIÓN

El uso de piezas de recambio que no sean las auténticas piezas Ingersoll Rand podría poner en peligro la seguridad, reducir el rendimiento de la herramienta y aumentar los cuidados de mantenimiento necesarios, así como invalidar toda garantía.

Solo el personal cualificado y autorizado deberá realizar reparaciones. Consulte al centro de servicio de Ingersoll Rand autorizado más próximo.

Las instrucciones originales están en inglés. Las demás versiones son una traducción de las instrucciones originales.

Los manuales pueden descargarse desde ingersollrand.com

Remita todas las comunicaciones a la oficina o al distribuidor de **Ingersoll Rand** más cercano.

Informations de sécurité du produit: Lustreuse de pneus sans fil

Description du Produit

Le tampon de pneus sans fil est un outil électrique portatif alimenté par batterie et équipé d'un mandrin hexagonal à changement rapide de 7/16 po qui est entraîné dans un mouvement rotatif.

Accessoires recommandés

Les accessoires d'un outil sont définis en tant qu'éléments qui sont installés dans ou sur l'outil et qui deviennent l'interface de travail entre l'outil et la pièce à travailler. Il s'agit typiquement de consommables qui peuvent être achetés séparément de l'outil. Les accessoires doivent être sélectionnés pour coïncider avec le travail à faire et le matériau usiné. Toutes mises en garde et recommandations de la part du fabricant de l'accessoire doivent être suivies en plus de celles données ici. Un non-respect de ces recommandations pourrait conduire à la mort ou à de graves blessures.

Cette polisseuse de pneus sans fil est conçue pour utiliser des accessoires tels que des cônes de polissage de pneus et des alésoirs spécifiquement destinés à l'entretien et à la réparation des pneus en caoutchouc. Ne pas utiliser de disques de meulage ou de coupe, de lames de scie circulaire ou de fraises avec cette polisseuse de pneus sans fil.

AVERTISSEMENT

⚠ AVERTISSEMENT: Lisez attentivement tous les avertissements, instructions, illustrations et spécifications de sécurité fournis avec cet outil. Le non-respect de celles-ci peut provoquer des chocs électriques, des incendies et/ou des blessures graves. Conserver la totalité des avertissements et instructions fournis pour d'éventuelles consultations ultérieures. Le terme « outil » dans tous les avertissements ci-dessous fait référence à votre outil fonctionnant sur secteur (câblé) ou sur batterie (sans fil).

Règles de Sécurité Générales

- **Il vous incombe de transmettre les présentes informations de sécurité à tous les utilisateurs du produit.** Le non-respect de ces normes et réglementations peut provoquer des blessures.
- **Installez, utilisez, inspectez et entretenez toujours ce produit conformément à toutes les normes et réglementations en vigueur (locales, nationales, fédérales, européennes etc.).** Vous êtes responsable du respect de ces normes. Le non-respect de ces normes et réglementations peut provoquer des blessures.

Sécurité Du Lieu De

- **Maintenez votre lieu de travail propre et bien éclairé.** Des établis en désordre et des surfaces sombres sont susceptibles de provoquer des accidents.
- **N'utilisez pas les outils dans des atmosphères explosives, par exemple en présence de liquides inflammables, de gaz ou de poussière.** Les outils provoquant des étincelles susceptibles d'enflammer les poussières ou les fumées.
- **Tenez les spectateurs et enfants éloignés pendant l'utilisation de l'outil.** Tout moment d'inattention de votre part peut entraîner une perte du contrôle de l'outil.
- **Faites attention aux risques de danger enfouis, cachés ou autres dans votre environnement de travail. Ne touchez et n'endommagez pas les cordons, conduits, canalisations ou tuyaux pouvant contenir des fils électriques, des gaz explosifs ou des liquides dangereux.** Cela pourrait provoquer un choc électrique, un incendie ou des blessures.

Sécurité Électrique

- **Les fiches des outils doivent correspondre aux prises. La fiche ne doit en aucun cas être modifiée. Ne jamais utiliser de fiche d'adaptation quelle qu'elle soit avec des outils reliés à la terre.** Des fiches non modifiées et des prises correspondantes réduisent les risques de choc.
- **Évitez tout contact avec les surfaces reliées à la terre telles que les tuyaux, radiateurs, cuisinières et réfrigérateurs.** Le risque de choc électrique est accru si votre corps est relié à la terre.
- **Les outils électriques doivent être conservés à l'abri de la pluie et de toute humidité.** L'infiltration d'eau dans un outil augmente le risque de choc électrique.
- **Utilisez convenablement le cordon. N'utilisez jamais le cordon pour transporter, tirer ou débrancher l'outil. Assurez-vous que le cordon est placé à distance des sources de chaleur, d'huile, d'arêtes vives ou de pièces mobiles.** Les cordons endommagés ou entremêlés augmentent les risques de choc électrique.
- **Lors de l'utilisation d'un outil en extérieur, utilisez une rallonge adaptée à ce type d'utilisation.** L'utilisation d'un câble adapté pour l'extérieur réduit le risque de choc électrique.
- **Face à l'obligation d'utiliser un outil électrique dans un site humide, il convient de protéger l'alimentation électrique par un dispositif différentiel résiduel (DDR).** L'utilisation d'un DDR permet de réduire les risques de chocs électriques.

Sécurité de L'utilisateur

- **Restez vigilant et attentif et faites preuve de bon sens lors de l'utilisation de cet outil. N'utilisez pas cet outil en cas de fatigue ou sous l'influence de la drogue, d'alcool ou de médicaments.** Un moment d'inattention au cours de l'utilisation de ces outils suffit pour provoquer de graves blessures.
- **Utilisez un équipement de protection individuelle. Protégez-vous toujours les yeux.** Des équipements de sécurité, tels que des masques anti-poussière, des chaussures de sécurité antidérapantes, des casques ou des protections auditives utilisés dans des conditions appropriées réduisent les blessures corporelles.
- **Évitez tout démarrage involontaire. Assurez-vous que l'interrupteur est en position d'arrêt avant de brancher la source d'alimentation et/ou l'ensemble batterie, de prendre ou de porter l'outil.** Transporter des outils électriques avec un doigt placé sur l'interrupteur ou brancher des outils alors que l'interrupteur est en position Marche peut provoquer des accidents.
- **Retirez toute clavette de calage ou clé à chocs avant de mettre l'outil sous tension.** Une clé ou une clavette restée attachée à un élément rotatif de l'outil peut provoquer des blessures.
- **Ne présumez pas de vos forces. Soyez toujours bien positionné et en équilibre.** Cela permet de mieux contrôler l'outil dans les situations inattendues.
- **Portez des habits adéquats. Ne portez pas de vêtements trop amples ni de bijoux. Attachez-vous les cheveux. Gardez vos cheveux, vos vêtements et vos gants à distance des éléments mobiles.** Les vêtements amples, bijoux et cheveux longs peuvent se coincer dans les pièces mobiles.

- **Si des appareils sont fournis pour le raccordement de matériel d'extraction et de collecte de poussière, vérifiez qu'ils sont connectés et utilisés correctement.** L'utilisation de ces appareils peut réduire les risques liés à la poussière.
- **Ce n'est pas parce que vous utilisez fréquemment les outils et que ces derniers vous sont familiers que vous devez faire preuve de complaisance et ignorer les principes de sécurité des outils.** Une imprudence peut entraîner des blessures graves en une fraction de seconde.
- **Évitez toute exposition ou inhalation de poussières et de particules dangereuses générées par l'utilisation de l'outil.**
 - a. Certaines poussières générées par ponçage, sciage, meulage, perçage et autres activités de construction contiennent des produits chimiques cancérigènes pouvant entraîner des anomalies congénitales ou des risques de malformations génétiques. Certains de ces produits chimiques sont :
 - i. le plomb issu de peintures à base de plomb;
 - ii. la silice cristallisée utilisée pour les briques, le ciment et autres produits de maçonnerie;
 - iii. l'arsenic et le chrome issus du bois traité chimiquement.
 - b. Les risques liés à ces expositions dépendent de la fréquence à laquelle vous effectuez ce type de travail. Pour limiter l'exposition à ces produits chimiques: travaillez dans un lieu bien ventilé avec des équipements de sécurité adéquats, tels que des masques anti-poussières spécialement conçus pour filtrer les particules microscopiques.
- **Cessez d'utiliser un outil en cas de malaise, d'engourdissement ou de douleur.** Des vibrations, des mouvements répétés ou des positions inconfortables peuvent présenter des risques pour vos mains et vos bras. Ces outils peuvent émettre des vibrations en cours d'utilisation. Consultez un médecin avant de les utiliser à nouveau.
- **L'émission de vibrations pendant le fonctionnement de l'outil électrique peut différer de la valeur déclarée en fonction du mode d'utilisation.** Prenez les mesures de sécurité qui s'imposent pour assurer la protection de l'opérateur, en fonction de l'estimation de l'exposition au cours de l'utilisation réelle.
- **Évitez tout contact avec les pièces mobiles de l'outil.** L'outil et/ou ses accessoires peuvent continuer à être en mouvement pendant un bref instant suite à la mise hors tension, pouvant ainsi présenter des risques d'empatement ou d'autres blessures.
- **Utilisez des vis ou tout autre moyen pour sécuriser et assurer le support de la pièce de fabrication sur une plate-forme stable.** Le fait de tenir un élément à bout de bras ou contre vous constitue une source d'instabilité et peut conduire à la perte de contrôle de l'outil.

Utilisation Et Maintenance De L'outil

- **N'exercez pas de pression trop importante sur l'outil lors de son utilisation. Utilisez l'outil correspondant au type de travail que vous effectuez.** Dans le cadre de l'utilisation pour laquelle il a été conçu, un outil fonctionne mieux et de manière plus sûre.
- **N'utilisez pas cet outil si l'interrupteur ne permet pas de le mettre sous et hors tension.** Tout outil ne pouvant pas être contrôlé par l'interrupteur présente des risques et doit être réparé.
- **Débranchez la prise de la source d'alimentation et/ou retirez le bloc batterie (s'il est amovible) de l'outil électrique avant tout réglage, changement d'accessoire ou rangement de l'outil.** De telles mesures de sécurité préventives réduisent les risques de mise sous tension accidentelle de l'outil.
- **Stockez les outils inutilisés hors de portée des enfants et ne laissez aucune personne non familiarisée avec l'outil ou avec ces instructions l'utiliser.** Ces outils peuvent s'avérer dangereux s'ils sont utilisés par des personnes non qualifiées.
- **Entretenez les outils électriques et les accessoires. Vérifiez tout désalignement ou accrochage des pièces mobiles, ainsi que toute rupture des éléments ou toute autre condition pouvant altérer le fonctionnement de l'outil. Si celui-ci est endommagé, faites-le réparer avant de l'utiliser.** Beaucoup d'accidents surviennent suite à un mauvais entretien des outils.
- **Faites en sorte que les outils coupants restent aiguisés et propres.** Des outils bien entretenus, avec des lames aiguisées, verront leur fonctionnement amélioré et seront plus faciles à manier. Gardez les poignées propres et sèches pour conserver le contrôle des outils.
- **Utilisez l'outil, les accessoires, les pièces, etc. conformément à ces instructions et de la manière prévue, en tenant compte des conditions de travail et de la tâche à effectuer.** L'utilisation de l'outil pour des opérations autres que celles prévues peuvent vous mettre en danger.
- **Gardez les poignées et les surfaces de préhension sèches, propres et exemptes d'huile et de graisse.** Les poignées glissantes et les surfaces de préhension ne permettent pas une manipulation et un contrôle sûr de l'outil dans des situations inattendues.
- **Si vous portez des gants, assurez-vous qu'ils n'entravent pas la course de la gâchette.** Cela pourrait provoquer des blessures.
- **Ne retirez aucune étiquette. Remplacez toute étiquette endommagée.** Ces étiquettes fournissent des informations utiles pour une utilisation sûre de ce produit.

Utilisation Et Maintenance Des Outils Sur Batterie

- **Utilisez exclusivement le type de chargeur spécifié par le fabricant.** Un chargeur peut être approprié pour un type de bloc batterie mais créer un risque d'incendie avec un autre type de bloc batterie.
- **N'utilisez l'outil qu'avec le bloc de piles prévu à cet effet.** L'utilisation d'un autre bloc de piles peut constituer un risque de blessure et d'incendie.
- **Lorsque vous n'utilisez pas le bloc batterie, tenez-le éloigné d'autres objets en métal, tels que des trombones, des pièces de monnaie, des clés, des clous, des vis ou tout autre petit objet en métal, pouvant établir une connexion d'une borne à une autre.** Un court-circuit entre les contacts de la batterie peut provoquer des brûlures ou un incendie.
- **Dans des conditions extrêmes, la pile peut rejeter du liquide ; évitez tout contact. En cas de contact accidentel, nettoyez abondamment à l'eau claire. En cas de contact avec les yeux, consultez un médecin.** Le liquide éjecté de la pile peut entraîner des irritations ou des brûlures.
- **N'utilisez pas un bloc batterie ou un outil endommagé ou altéré.** Les batteries endommagées ou altérées peuvent présenter un comportement imprévisible et provoquer un incendie, une explosion ou une blessure.
- **N'exposez pas un bloc batterie ou un outil à une flamme ou à une température excessive.** Une exposition à une flamme ou une température supérieure à 130°C (265°F) peut entraîner une explosion.
- **Observez l'ensemble des instructions de charge et ne chargez pas le bloc batterie ou l'outil en dehors de la plage de températures mentionnée dans les instructions.** Une charge incorrecte ou à des températures en dehors de la plage spécifiée peut endommager la batterie et augmenter le risque d'incendie.
- **Assurez-vous que l'interrupteur est réglé sur ARRÊT avant d'insérer le bloc de piles.** L'insertion du bloc de piles dans l'outil avec l'interrupteur réglé sur MARCHÉ peut entraîner des accidents.
- **Retirez le bloc de piles de l'outil ou mettez l'interrupteur sur la position ARRÊT avant de procéder à des réglages ou de changer des accessoires.** Ces mesures de sécurité préventives réduisent les risques de mise sous tension accidentelle de l'outil.
- **Les outils électriques surchauffent si vous continuez de les utiliser lorsque leur moteur subit une charge excessive, cale ou ne peut pas tourner. Arrêtez l'outil lorsque cela se produit.** Si vous continuez de l'utiliser, cela peut générer de la chaleur, de la fumée ou un incendie pouvant entraîner des blessures ou des dégâts matériels.
- **Retirez le bloc de piles de l'outil avant de stocker ce dernier ou de le mettre dans une boîte à outils ou un sac. Toute mise sous tension accidentelle durant le stockage ou le transport peut engendrer des situations dangereuses, notamment une surchauffe de l'outil.** Le fonctionnement non contrôlé de l'outil peut engendrer des situations dangereuses telles qu'une surchauffe, de la fumée ou un incendie.

- **Ne bloquez pas les aérations car cela pourrait provoquer la surchauffe de l'outil.** Si vous l'utilisez dans de telles conditions, cela peut générer de la chaleur, de la fumée ou un incendie pouvant entraîner des blessures ou des dégâts matériels.
- **L'outil peut surchauffer en cas d'utilisation continue ou forcée. Cessez immédiatement d'utiliser l'outil et laissez-le refroidir si l'une de ses parties devient brûlante ou si de la fumée s'échappe du moteur.** L'utilisation de l'outil en ces conditions endommagera l'outil et risque de provoquer des blessures ou des dégâts par la chaleur ou le feu.
- **Cessez immédiatement d'utiliser l'outil et remplacez toute batterie s'échauffant de manière inhabituelle ou n'offrant qu'une autonomie réduite. Les batteries présentent généralement une capacité importante de cycles de chargement/déchargement. Il est donc possible qu'elles soient trop anciennes ou endommagées.** L'utilisation d'une batterie en mauvais état peut provoquer des blessures ou des dégâts dus à la chaleur, au feu ou à une explosion.
- **N'essayez jamais de modifier cet outil, les dispositifs de sécurité ou les accessoires.** Cela pourrait provoquer un choc électrique, un incendie ou des blessures.
- **Utilisez uniquement les accessoires recommandés par Ingersoll Rand pour votre modèle.** Des accessoires utilisables avec un outil spécifique peuvent s'avérer dangereux sur un autre.
- **Si vous portez des gants, assurez-vous qu'ils n'entraînent pas la course de la gâchette.** Cela pourrait provoquer des blessures.
- **Ne retirez aucune étiquette. Remplacez toute étiquette endommagée.** Ces étiquettes fournissent des informations utiles pour une utilisation sûre de ce produit.
- **Plage de température ambiante pendant le fonctionnement et le stockage: 0°C-45°C (32°F-113°F).**
- **Plage de température ambiante recommandée pendant le chargement: 5°C-40°C (41°F-104°F).**

Entretien

- **Faites entretenir votre outil par des réparateurs qualifiés et n'utilisez que des pièces de rechange identiques.** Cela garantit le maintien de la sécurité de l'outil.
- **Ne réparez jamais les blocs batteries endommagés.** Les blocs batteries ne peuvent être réparés que par le fabricant ou des prestataires de services agréés.
- **Pour la réparation des outils, n'utilisez que des pièces détachées Ingersoll Rand d'origine et suivez scrupuleusement les instructions de maintenance.** L'utilisation de pièces non autorisées ou le non-respect des consignes de maintenance peuvent représenter un risque de choc électrique ou de blessure.
- **Ne jetez pas les piles dans le feu, ne les incinerez pas ou ne les exposez pas à une température supérieure à 100°C (212°F).** Les piles présentent un risque d'incendie ou de brûlure chimique lorsqu'elles sont manipulées de façon inadéquate.
- **Recyclez ou mettez au rebut les piles conformément à toutes les normes et réglementations en vigueur (locales, nationales, fédérales, européennes etc.).** Une mise au rebut incorrecte peut nuire à l'environnement.

AVERTISSEMENT

Règles de Sécurité Spécifiques au Produit

- **Tenez l'outil au niveau des surfaces isolantes de la poignée lors d'une utilisation ou l'outil de découpe ou des fixations pourraient entrer en contact avec des câbles cachés.** Un outil de découpe ou des fixations en contact avec un câble « sous tension » peuvent rendre les parties métalliques exposées de l'outil électrique conductrices, ce qui représente un risque de choc électrique pour l'utilisateur.
- **La fixation des accessoires doit correspondre au mandrin du tampon de pneus.** Les accessoires ne correspondant pas au matériel de montage de l'outil se déséquilibreront et vibreront de manière excessive, ce qui pourrait engendrer une perte de contrôle.
- **N'utilisez que les accessoires indiqués dans le manuel (un accessoire de lustrage, de petit alésoir et de grand alésoir).** La perte de contrôle peut entraîner des blessures.
- **Lorsqu'un dispositif de suspension est utilisé, assurez-vous qu'il est convenablement fixé.** Le non-respect de ces consignes de sécurité pourrait entraîner une perte de contrôle, un mouvement inattendu ou une chute de l'outil.
- **Évitez tout point de pincement entre la barre de réaction ou les poignées de support et tout objet fixé sur le lieu de travail.** Risque de pincement ou d'autres blessures.
- **Veillez à être en appui stable et équilibré. Ne dépassez pas cette position lors de l'utilisation de cet outil.** Anticiper et être attentif aux modifications soudaines des mouvements, des couples de réaction et des forces au démarrage et pendant l'utilisation de l'outil. L'opérateur doit changer de posture pendant les longues tâches, ce qui permet d'éviter la gêne et la fatigue.
- **Les contrôles appropriés pour la réduction des risques liés au bruit peuvent comprendre des actions telles que l'amortissement sonore des matériaux afin d'éviter que les pièces à travailler ne « résonnent ».**
- **Ne modifiez pas cet outil électrique pour l'utiliser d'une manière qui n'est pas spécifiquement conçue et spécifiée par le fabricant de l'outil.** Une telle modification peut entraîner une perte de contrôle et causer des blessures graves.

Règles de Sécurité Spécifiques au Produit- (Tampon de pneus uniquement)

- **Il n'est pas recommandé d'effectuer des opérations telles que le forage avec des outils faisant office de tampon.** La réalisation de tâches pour lesquelles l'outil n'a pas été conçu peut être source de danger et de blessures.
- **S'assurer que les pièces sont bien fixées.** Utiliser des pinces ou des étaux pour maintenir la pièce chaque fois que cela est possible.
- **La rupture de la pièce, les pièces rotatives de l'outil ou de l'accessoire, ou les débris du matériau travaillé, peuvent générer des projectiles à grande vitesse.**
- **Avant de mettre l'outil en marche et pendant son fonctionnement, l'opérateur doit veiller à ce qu'aucune personne ne se trouve à proximité.**
- **Après avoir installé un accessoire, s'assurer que personne ne se trouve devant ou dans l'axe de l'accessoire en rotation.** Il se peut qu'il tombe en panne à ce moment-là s'il est défectueux, incorrectement monté ou s'il n'a pas la bonne taille et la bonne vitesse. Arrêter immédiatement si des vibrations importantes ou d'autres défauts sont détectés. Arrêter l'outil électrique et déterminer la cause.
- **Ne pas utiliser cet outil si la vitesse libre réelle est supérieure à la vitesse nominale.** Vérifier la vitesse libre de l'outil avant d'installer un accessoire, après toute réparation de l'outil, avant chaque travail et après toutes les 8 heures d'utilisation. Vérifier la vitesse à l'aide d'un tachymètre étalonné, sans aucun accessoire installé.
- **Ne pas utiliser d'accessoires dont la vitesse maximale de fonctionnement, telle que définie par le fabricant, est inférieure à la vitesse nominale de l'outil.**
- **S'assurer que l'accessoire est correctement monté et serré avant utilisation.**
- **Pour éviter un dépassement excessif, la tige de l'accessoire doit être insérée jusqu'à la profondeur totale des mâchoires de la pince de serrage et la longueur en dépassement qui en résulte ne doit pas être supérieure à la profondeur d'insertion.**
- **Inspecter la pince de serrage, les filetages et l'érou pour vérifier qu'ils ne sont pas endommagés ou usés avant de monter l'accessoire.** Les pinces de serrage à visser doivent être solidement fixées contre l'élément moteur.

Risques liés à la poussière et aux émanations

- Portez une protection respiratoire appropriée si de la poussière ou des émanations sont présentes dans la zone de travail.
- La poussière et les émanations générées lors de l'utilisation des outils électriques, ainsi que la poussière existante qui s'envoie suite à cette utilisation, peuvent entraîner des maladies (par exemple, cancer, anomalies congénitales, asthme et/ou dermatite). L'évaluation des risques et la mise en place de contrôles appropriés pour ces risques sont essentielles. Il est prioritaire de les contrôler à la source.
- Orientez l'échappement de façon à réduire au minimum la levée de poussière dans un environnement rempli de poussières.
- Tous les accessoires ou fonctionnalités intégrée(s) pour la récupération, l'extraction ou la suppression de la poussière ou des émanations présentes dans l'air doivent être correctement utilisé(e)s et entretenu(e)s conformément aux instructions du fabricant.
- N'utilisez pas cet outil pour usiner des matériaux dont les poussières ou fumées sont inflammables ou peuvent générer un environnement explosif.
- Les accessoires doivent être sélectionnés, inspectés, correctement installés, entretenus et remplacés en cas d'usure pour éviter une augmentation inutile de poussière ou de fumées.

Risques concernant les accessoires

- Assurez-vous que le disque de meulage est monté et serré correctement avant l'utilisation.
- Utiliser uniquement les tailles et les types d'accessoires recommandés par le fabricant de l'outil; ne pas utiliser d'autres types ou tailles d'accessoires.
- Inspecter tous les accessoires avant le montage. Ne pas utiliser un accessoire ébréché, fissuré, non centré, excessivement usé ou autrement endommagé.
- Ne pas utiliser un accessoire qui a été exposé au gel, à des changements de température extrêmes, à une forte humidité, à des solvants, à de l'eau ou à d'autres liquides.
- S'assurer que l'accessoire s'adapte correctement à l'arbre. L'accessoire ne doit être ni trop serré ni trop lâche. Ne pas utiliser de douilles de réduction pour adapter un accessoire à un arbre, sauf si ces douilles sont fournies et recommandées par le fabricant de l'accessoire.
- Lorsque les accessoires sont fournis avec des douilles de réduction, l'utilisateur doit s'assurer que la douille n'interfère pas et que la force de serrage fournit une action d'entraînement en rotation suffisante pour empêcher l'accessoire de glisser.
- Toujours faire correspondre la taille de la pince de serrage à la taille de l'arbre de l'accessoire.
- Ne pas utiliser de meule ou de disque à tronçonner avec une meuleuse rotative et un tampon de pneus.
- Les précautions de sécurité et avertissements du fabricant de l'accessoire, les restrictions d'utilisation et les instructions d'installation et de montage doivent être suivis, à moins qu'elles n'entrent en contradiction avec les informations données dans ce manuel ou toute autre documentation fournie avec l'outil. Dans le cas d'informations contradictoires, suivez les recommandations les plus restrictives.

AVIS

Consultez le manuel Informations Produit concernant les informations spécifiques sur la sécurité du modèle.

Identification du Symbole de Sécurité



Veuillez porter une protection respiratoire



Portez une protection oculaire



Portez une protection auditive



Portez une protection oculaire et auditive






Lisez attentivement les manuels avant d'utiliser le produit



Risque de brûlure. Surface chaude.

(Dessin 16589525_FR)

Informations de Sécurité - Explication des Symboles de Sécurité

 DANGER	Signale une situation de danger imminent qui, si elle n'est pas évitée, peut provoquer la mort ou des blessures graves.
 AVERTISSEMENT	Signale une situation de danger potentiel qui, si elle n'est pas évitée, pourrait provoquer la mort ou des blessures graves.
 ATTENTION	Signale une situation de danger potentiel qui, si elle n'est pas évitée, peut provoquer des blessures mineures ou modérées ou des dommages matériels.
AVIS	Signale une information ou une règle de l'entreprise en rapport direct ou indirect avec la sécurité du personnel ou avec la protection des biens.

Informations de sécurité du produit: Batterie

Description du produit

Une pile est un dispositif de stockage de l'électricité utilisé en tant que source d'alimentation pour les produits sans fil **Ingersoll Rand**.

AVERTISSEMENT

AVERTISSEMENT: Lisez attentivement tous les avertissements, instructions, illustrations et spécifications de sécurité fournis avec cet outil. Ne pas suivre les avertissements et instructions peut entraîner la survenue d'un choc électrique, d'un incendie et/ou de blessures graves.

Avertissements de sécurité généraux concernant la batterie

- Conserver la totalité des avertissements et instructions fournis pour d'éventuelles consultations ultérieures.
- Il vous incombe de transmettre les présentes informations de sécurité à tous les utilisateurs du produit. Le non respect des normes et réglementations peut provoquer des blessures.

- **Installez, utilisez, inspectez et entretenez toujours ce produit conformément à toutes les normes et réglementations en vigueur (locales, nationales, fédérales, européennes etc.).** Vous êtes responsable du respect de ces normes. Le non respect des normes et réglementations peut provoquer des blessures.
- Le terme « outil électrique » dans les avertissements désigne l'outil (sans fil) alimenté par votre batterie.

Sécurité électrique

- **N'exposez pas les batteries ou les outils électriques à la pluie ou à l'eau.** L'infiltration d'eau dans une batterie ou un outil électrique augmente le danger d'électrocution.

Sécurité de l'utilisateur

- **Ne modifiez jamais ce produit, les dispositifs de sécurité ni les accessoires.** Cela pourrait provoquer un choc électrique, un incendie ou des blessures.

Utilisation et entretien de la batterie et de l'outil électrique

- **Utilisez exclusivement le type de chargeur spécifié par le fabricant.** Un chargeur peut être approprié pour un type de bloc batterie mais créer un risque d'incendie avec un autre type de bloc batterie. Pour davantage d'avertissements spécifiques sur le chargeur, consultez le manuel d'Informations du chargeur.
- **N'utilisez l'outil qu'avec un bloc batterie prévu à cet effet.** L'utilisation d'un autre bloc batterie peut entraîner un danger de blessure et d'incendie.
- **Lorsque le bloc de piles n'est pas utilisé, tenez-le à distance des autres objets métalliques tels que: des trombones, pièces de monnaie, clés, clous, vis ou autres petits objets en métal pouvant créer une connexion entre un terminal et un autre.** Un court circuit entre les terminaux de piles peut provoquer des étincelles, des brûlures ou un incendie.
- **En cas de mauvaise utilisation, la batterie peut rejeter du liquide; évitez tout contact. En cas de contact accidentel, nettoyez abondamment à l'eau claire. En cas de contact avec les yeux, rincez abondamment et consultez un médecin.** Le liquide en provenance de la pile peut entraîner des irritations ou des brûlures.
- **N'utilisez pas un bloc batterie ou un outil endommagé ou altéré.** Les batteries endommagées ou altérées peuvent présenter un comportement imprévisible et provoquer un incendie, une explosion ou une blessure.
- **N'exposez pas un bloc batterie ou un outil à une flamme ou à une température excessive.** Une exposition à une flamme ou une température supérieure à 130°C (265°F) peut entraîner une explosion.
- **Observez l'ensemble des instructions de charge et ne chargez pas le bloc batterie ou l'outil en dehors de la plage de températures mentionnée dans les instructions.** Une charge incorrecte ou à des températures en dehors de la plage spécifiée peut endommager la batterie et augmenter le risque d'incendie.
- **Rangez les batteries et les outils électriques inutilisés hors de portée des enfants et ne laissez aucune personne n'étant pas familière avec la batterie, l'outil électrique et ces instructions s'en servir.** Entre les mains d'un utilisateur non formé, les batteries et les outils électriques peuvent être dangereux.
- **Utilisez la batterie, l'outil électrique, les accessoires et les mèches etc. en suivant bien ces instructions, et en tenant compte des conditions de travail et de la tâche à accomplir.** L'utilisation de la batterie ou de l'outil électrique pour un usage non prévu à cet effet peut se révéler dangereux.
- **Cessez immédiatement d'utiliser l'outil et remplacez toute batterie s'échauffant de manière inhabituelle ou n'offrant qu'une autonomie réduite.** Les batteries présentent généralement une capacité importante de cycles de chargement/déchargement. Il est donc possible qu'elles soient trop anciennes ou endommagées. L'utilisation d'une batterie en mauvais état peut provoquer des blessures ou des dégâts dus à la chaleur, au feu ou à une explosion.
- **Ne retirez aucune étiquette. Remplacez toute étiquette endommagée.** Ces étiquettes fournissent des informations utiles pour une utilisation sûre de ce produit.
- **Ne soumettez pas les batteries à des impacts physiques.**
- **Ne laissez pas une batterie en charge trop longtemps lorsqu'elle n'est pas utilisée.**
- **Dans la mesure du possible, enlevez la batterie de l'appareil lorsqu'il est inutilisé.**
- **N'utilisez pas de batteries qui ont été physiquement endommagées.**

Entretien

- **Ne réparez jamais les blocs batteries endommagés.** Les blocs batteries ne peuvent être réparés que par le fabricant ou des prestataires de services agréés.
- **Ne jetez pas les piles dans le feu, ne les incinérerez pas ou ne les exposez pas à une température supérieure à 100°C (212°F).** Les piles présentent un risque d'incendie ou de brûlure chimique lorsqu'elles sont manipulées de façon inadéquate.
- **Recyclez ou mettez au rebut les piles conformément à toutes les normes et réglementations en vigueur (locales, nationales, fédérales, européennes etc.).** Une mise au rebut incorrecte peut nuire à l'environnement.
- **N'ouvrez pas le capot ni le boîtier de l'appareil. Il ne contient aucun élément pouvant être entretenu par l'utilisateur.** Cela pourrait entraîner un choc électrique ou des blessures.

AVIS

Consultez le manuel Informations Produit pour obtenir des informations spécifiques sur la sécurité de ce modèle.

Identification du symbole de sécurité






Risque de choc électrique



Lisez attentivement les manuels avant d'utiliser le produit

Informations de sécurité - Explication des symboles de sécurité


 DANGER	Signale une situation de danger imminent qui, si elle n'est pas évitée, peut provoquer la mort ou des blessures graves.
 AVERTISSEMENT	Signale une situation de danger potentiel qui, si elle n'est pas évitée, pourrait provoquer la mort ou des blessures graves.
 ATTENTION	Signale une situation de danger potentiel qui, si elle n'est pas évitée, peut provoquer des blessures mineures ou modérées ou des dommages matériels.
AVIS	Signale une information ou une règle de l'entreprise en rapport direct ou indirect avec la sécurité du personnel ou avec la protection des biens.

Informations de sécurité du produit: Chargeur de Batteries

Description du produit

Un chargeur de piles est un appareil électrique qui convertit le courant alternatif en courant continu utilisé pour charger les accumulateurs.

AVERTISSEMENT

 **AVERTISSEMENT:** Lisez attentivement tous les avertissements, instructions, illustrations et spécifications de sécurité fournis avec cet outil. Le non-respect de celles-ci peut provoquer des chocs électriques, des incendies et/ou des blessures graves.

Règles de Sécurité Générales

- **Il vous incombe de transmettre les présentes informations de sécurité à tous les utilisateurs du produit.** Le non-respect de ces normes et réglementations peut provoquer des blessures.
- **Installez, utilisez, inspectez et entretenez toujours ce produit conformément à toutes les normes et réglementations en vigueur (locales, nationales, fédérales, européennes etc.).** Vous êtes responsable du respect de ces normes. Le non-respect de ces normes et réglementations peut provoquer des blessures.
- **Les enfants de plus de 8 ans et les personnes présentant des handicaps physiques, sensoriels ou mentaux, inexpérimentés ou ne disposant pas des connaissances suffisantes, peuvent utiliser ce Produit sous surveillance ou après avoir reçu des instructions concernant l'utilisation sécurisée du Produit et les risques associés. Les enfants ne doivent pas jouer avec le Produit. Les procédures de nettoyage et d'entretien ne doivent pas être effectuées par des enfants sans surveillance.**

Sécurité du lieu de

- **N'utilisez pas le chargeur de piles dans un environnement explosif, par exemple en présence de liquides inflammables, de gaz ou de poussière.** Un chargeur de piles est susceptible de provoquer des étincelles qui peuvent enflammer les poussières ou les fumées.

Sécurité Électrique

- **Les produits à double isolation sont munis d'une fiche polarisée (une lame est plus large que l'autre). Cette fiche ne peut se connecter sur une prise polarisée que d'une seule manière. Si la fiche ne s'enfonce pas complètement dans la prise, retournez-la. Si elle ne se branche toujours pas correctement, contactez un électricien qualifié pour l'installation d'une prise polarisée. La fiche ne doit en aucun cas être modifiée.** En présence d'une double isolation, il n'est plus nécessaire d'utiliser un cordon électrique à trois fils avec mise à la terre, ni un système d'alimentation électrique avec mise à la terre.
- **Utilisez convenablement le cordon. N'utilisez jamais le cordon pour transporter, tirer ou débrancher l'outil. Assurez-vous que le cordon est placé à distance des sources de chaleur, d'huile, d'arêtes vives ou de pièces mobiles.** Les cordons endommagés ou entremêlés augmentent les risques de choc électrique.
- **Un appareil fonctionnant avec des piles intégrées ou un bloc de piles séparé ne doit être rechargé qu'avec le chargeur de piles spécifié.** Un chargeur correspondant à un type de pile spécifique peut entraîner un risque d'incendie lorsqu'il est utilisé avec un autre type de pile.
- **Le chargeur ne doit être utilisé qu'en intérieur. Veillez à ce que le chargeur ne soit pas exposé à la pluie. N'utilisez pas le chargeur dans des endroits humides ou mouillés.** Cela pourrait entraîner un choc électrique ou des blessures.
- **Respectez toujours la tension d'alimentation indiquée.** L'utilisation de cet outil sous une autre tension peut provoquer des chocs électriques, des incendies, un fonctionnement anormal de l'outil et des blessures graves.
- **Évitez tout contact des doigts, de fils et autres matériaux conducteurs avec les bornes de la batterie. Ne connectez l'appareil qu'à des batteries agréées par Ingersoll Rand.** Cela pourrait entraîner un choc électrique ou des blessures.
- **Ne tentez pas de recharger des batteries non rechargeables.** Cela pourrait provoquer un choc électrique, un incendie ou des blessures.

Sécurité de L'utilisateur

- **Ne modifiez jamais ce produit, les dispositifs de sécurité ou les accessoires.** Cela pourrait provoquer un choc électrique, un incendie ou des blessures.
- **N'utilisez pas ce produit à des fins autres que celles recommandées.** Cela pourrait provoquer un choc électrique, un incendie ou des blessures.
- **Assurez-vous que le chargeur est dans une position stable avant de le brancher à une source d'alimentation. Maintenez le chargeur hors de portée des enfants.** Une position instable ou une utilisation par des enfants peut conduire à un choc électrique, un incendie ou des blessures.

Utilisation et Maintenance

- **N'utilisez jamais un chargeur endommagé ou ne fonctionnant pas correctement. Débranchez immédiatement le chargeur et faites-le réparer ou remplacer.** L'utilisation continue d'un tel chargeur pourrait provoquer un choc électrique, un incendie ou des blessures.
- **Ne retirez aucune étiquette. Remplacez toute étiquette endommagée.** Ces étiquettes fournissent des informations utiles pour une utilisation sûre de ce produit.

Entretien

- **L'entretien ne doit être effectué que par un centre de service Ingersoll Rand agréé ou par un personnel qualifié équivalent.** L'entretien ou la maintenance effectués par un personnel non qualifié pourrait présenter des risques de blessures.
- **N'ouvrez pas le capot ni le boîtier de l'appareil. Il ne contient aucun élément pouvant être réparé par l'utilisateur.** Cela pourrait entraîner un choc électrique ou des blessures.
- **Si le cordon d'alimentation est endommagé, il doit être remplacé par un centre de service Ingersoll Rand agréé ou par un personnel qualifié équivalent.** Les cordons endommagés et mis en place de façon incorrecte augmentent les risques de choc électrique.

AVIS

Consultez le manuel Informations Produit concernant les informations spécifiques sur la sécurité du modèle.

Identification du Symbole de Sécurité



Risque de choc électrique






Utilisation en intérieur uniquement



Lisez attentivement les manuels avant d'utiliser le produit

(Dessin 16590275_FR)

Informations de sécurité - Explication des Symboles de Sécurité

 DANGER	Signale une situation de danger imminent qui, si elle n'est pas évitée, peut provoquer la mort ou des blessures graves.
 AVERTISSEMENT	Signale une situation de danger potentiel qui, si elle n'est pas évitée, pourrait provoquer la mort ou des blessures graves.
 ATTENTION	Signale une situation de danger potentiel qui, si elle n'est pas évitée, peut provoquer des blessures mineures ou modérées ou des dommages matériels.
AVIS	Signale une information ou une règle de l'entreprise en rapport direct ou indirect avec la sécurité du personnel ou avec la protection des biens.

Informations sur les Pièces du Produit

ATTENTION

L'utilisation de pièces de rechange autres que les pièces d'origine Ingersoll Rand peut remettre en cause la sécurité, réduire les performances de l'outil et requérir une maintenance accrue, de même qu'elle peut annuler toutes les garanties.

Les réparations doivent être assurées exclusivement par du personnel qualifié et agréé. Consultez le centre de service Ingersoll Rand agréé le plus proche.

Les instructions d'origine sont en anglais. Les autres langues sont une traduction des instructions d'origine.

Les manuels peuvent être téléchargés sur le site ingersollrand.com

Transmettez toutes vos communications au bureau ou au distributeur **Ingersoll Rand** le plus proche.

Informações de Segurança do Produto: Retificadora de pneus sem fio

Descrição do Produto

O retificador de pneus sem fios é uma ferramenta eléctrica manual alimentada por bateria, equipada com um mandril de troca rápida hexagonal de 7/16" que é acionado num movimento rotativo.

Accesórios recomendados

Os acessórios para uma ferramenta mecânica são definidos como itens que são instalados na ferramenta e que se tornam na interface de trabalho entre a ferramenta e a peça a trabalhar. Normalmente são consumíveis e podem ser adquiridos em separado da ferramenta. Os acessórios devem ser seleccionados de acordo com o trabalho a ser realizado e o material a ser trabalhado. Além dos avisos aqui apresentados, todos os avisos e recomendações do fabricante dos acessórios têm de ser respeitados. O incumprimento destes avisos pode resultar em morte ou lesões graves.

Esta polidora de pneus sem fio foi concebida para utilizar acessórios como cones de polimento de pneus e alargadores especificamente para a manutenção e reparação de pneus de borracha. Não utilize discos de rebarbar ou de corte, lâminas de serra circular ou fresas com esta máquina de polir pneus sem fio.

AVISO

⚠ AVISO: Leia todos os avisos de segurança, instruções, ilustrações e especificações fornecidos com esta ferramenta eléctrica. Se as instruções que se seguem não forem integralmente cumpridas, podem ocorrer choques eléctricos, incêndios e/ou lesões graves. Conserve todos os Avisos e instruções para futura referência. O termo "ferramenta mecânica", utilizado em todos os avisos abaixo, refere-se à ferramenta mecânica eléctrica sem bateria (com fio) ou à ferramenta mecânica accionada por bateria (sem fios).

Regras Gerais de Segurança

- **Compete-lhe a si a responsabilidade pela disponibilização destas informações de segurança a todas as pessoas que venham a utilizar este equipamento.** O incumprimento das normas e dos regulamentos pode dar azo a lesões pessoais.
- **Instale, utilize, inspecione e mantenha sempre este equipamento de acordo com todas as normas e regulamentos aplicáveis (locais, estaduais, nacionais, federais, etc.).** Compete-lhe a si a responsabilidade pelo cumprimento destas normas e destes regulamentos. O incumprimento das normas e dos regulamentos pode dar azo a lesões pessoais.

Segurança Do Trabalho Área

- **Mantenha a sua área de trabalho limpa e bem iluminada.** As bancadas de trabalho desarrumadas e as áreas mal iluminadas são mais propícias à ocorrência de acidentes.
- **Não utilize ferramentas mecânicas em atmosferas explosivas, como, por exemplo, em presença de líquidos, gases ou poeiras inflamáveis.** As ferramentas mecânicas produzem faíscas que podem incendiar poeiras ou gases.
- **Sempre que estiver a utilizar uma ferramenta deste tipo, mantenha afastados eventuais espectadores, crianças e visitantes.** Qualquer distração poderá fazer com que perca o controlo do equipamento.
- **Mantenha-se atento a eventuais perigos enterrados e ocultos que possam existir no seu local de trabalho, bem como de todos os outros eventuais perigos existentes nessa área.** Certifique-se de não entra em contacto com cabos, condutas, tubos ou manguieiras que possam conter fios eléctricos, gases explosivos ou líquidos nocivos, certificando-se também de que não os danifica. Se o fizer, poderão ocorrer choques eléctricos, incêndios ou lesões pessoais.

Segurança Eléctrica

- **As fichas das ferramentas mecânicas têm de estar de acordo com as tomadas a que vão ser ligadas. Nunca modifique a ficha de nenhuma forma. Nunca utilize fichas adaptadoras com ferramentas mecânicas ligadas à terra.** A utilização de fichas não modificadas e de tomadas correspondentes reduz o risco de choque.
- **Evite qualquer contacto físico com as superfícies ligadas à terra, tal como, por exemplo, canos, aquecedores, fogões e frigoríficos.** Correrá maior risco de apanhar choques eléctricos se o seu corpo estiver ligado à terra.
- **Não exponha ferramentas mecânicas à chuva nem a condições atmosféricas com humidade.** A penetração de água numa ferramenta mecânica aumenta o risco de choque eléctrico.
- **Certifique-se sempre de que usa indevidamente o cabo. Nunca utilize o cabo da ferramenta mecânica para a transportar, para a puxar nem para a desligar da tomada, puxando por ele. Mantenha os cabos afastados do calor, do óleo, de arestas afiadas ou de componentes rotativos.** Os cabos danificados ou emaranhados aumentam o risco de choque eléctrico.
- **Sempre que utilizar uma ferramenta mecânica no exterior, utilize uma extensão própria para utilização no exterior.** A utilização de uma extensão própria para utilização no exterior reduz o risco de choques eléctricos.
- **Se operar uma ferramenta de potência num local húmido for inevitável, use um dispositivo de corrente residual (RCD) com alimentação protegida.** O uso de um RCD reduz o risco de choque eléctrico.

Segurança Pessoal

- **Mantenha-se alerta, tenha atenção ao que está a fazer e use o bom senso quando estiver a utilizar uma ferramenta mecânica. Nunca utilize a ferramenta quando estiver cansado ou sob influência de drogas, álcool ou medicamentos.** Um momento de falta de atenção quando se está a utilizar ferramentas deste tipo pode ter como resultado lesões pessoais graves.
- **Utilize equipamento de protecção individual. Use sempre protecção ocular.** A utilização de equipamento de protecção como máscara antipoeira, sapatos de segurança antiderrapantes, capacete ou protecção auricular nas condições apropriadas irá reduzir a ocorrência de lesões pessoais.
- **Evite arranques acidentais. Ao pegar na ferramenta ou ao transportá-la, certifique-se de que o interruptor está na posição desligada, antes de ligar à fonte de alimentação e/ou bateria.** Transportar ferramentas eléctricas com um dedo no interruptor ou aplicar energia a ferramentas com o interruptor ligado pode originar acidentes.
- **Retire quaisquer chaves ajustáveis ou outras chaves antes de ligar a ferramenta mecânica.** Chaves ajustáveis ou outras chaves que tenham ficado presas num componente rotativo da ferramenta mecânica podem provocar lesões pessoais.
- **Nunca se estique demasiado quando estiver a utilizar a ferramenta. Mantenha-se sempre firmemente apoiado e em equilíbrio.** Desta forma poderá controlar melhor a ferramenta em situações inesperadas.
- **Use vestuário apropriado. Não use roupas largas nem jóias. Se tiver cabelo comprido, prenda-o. Mantenha o cabelo, o vestuário e as luvas afastados dos componentes rotativos.** Peças de vestuário largas, jóias e cabelo comprido podem ficar presos nos componentes rotativos.
- **Se existirem dispositivos para ligação de sistemas de extracção e de recolha de pó, certifique-se de que estão devidamente ligados e de que são utilizados correctamente.** A utilização deste tipo de dispositivos pode ajudar a reduzir os perigos inerentes à presença de pó.

- **Não permita que a familiaridade adquirida através da utilização frequente de ferramentas o torne descuidado, levando-o a ignorar os princípios de segurança aplicáveis às ferramentas.** Uma ação descuidada pode provocar lesões graves numa fração de segundo.
- **Evite expor-se e respirar poeiras e partículas nocivas resultantes da utilização da ferramenta.**
 - a. Algumas poeiras resultantes de trabalhos de lixagem, serragem, esmerilamento, perfuração e outras actividades de construção contêm produtos químicos que se sabe causarem cancro, defeitos congénitos ou outros problemas do foro reprodutivo. Seguem-se alguns exemplos desses produtos químicos:
 - i. chumbo proveniente de tintas à base de chumbo,
 - ii. silício cristalino proveniente de tijolos e cimento, bem como de outros produtos utilizados na alvenaria e
 - iii. arsénio e cromo provenientes de madeira tratada quimicamente e utilizada na construção civil.
 - b. O risco em que incorre devido à exposição a estes produtos varia em função da frequência com que faz esse tipo de trabalho. Para reduzir a exposição a esses produtos químicos: trabalhe numa área bem ventilada e use o equipamento de segurança aprovado, por exemplo, máscaras de protecção das vias respiratórias especialmente concebidas para filtrar partículas microscópicas.
- **Interrompa a utilização de qualquer ferramenta se sentir desconforto, sensação de formigamento ou dor.** As vibrações, os movimentos repetitivos ou as posições desconfortáveis podem ser prejudiciais para as suas mãos e para os seus braços. As ferramentas mecânicas podem vibrar quando estão a ser utilizadas. Aconselhe-se junto do médico antes de as voltar a utilizar.
- **A emissão de vibrações durante a utilização de uma ferramenta eléctrica pode diferir do valor declarado, dependendo da forma pela qual a ferramenta é usada.** Cumpra as medidas de protecção apropriadas para proteger o operador, com base numa estimativa de exposição durante a utilização real.
- **Evite o contacto com os componentes rotativos da ferramenta.** A ferramenta e/ou os acessórios podem continuar a movimentar-se durante alguns instantes depois de terem sido desligados, existindo por isso o risco de ficar preso ou de sofrer outras lesões pessoais.
- **Utilize dispositivos de fixação ou outros dispositivos práticos para prender a peça a uma plataforma estável e para apoiar nessa plataforma.** Segurar na peça com uma mão ou encostá-la ao corpo pode provocar instabilidade e dar origem a perda de controlo.

Utilização E Manutenção Das Ferramentas Mecânicas

- **Não force a ferramenta. Utilize a ferramenta mecânica correcta para o fim pretendido.** A ferramenta mecânica correcta efectuará o trabalho melhor e com mais segurança, à velocidade para a qual foi concebida.
- **Não utilize a ferramenta mecânica se o respectivo interruptor não lhe permitir ligá-la ou desligá-la.** Qualquer ferramenta mecânica que não possa ser controlada pelo respectivo interruptor é perigosa e tem de ser reparada.
- **Desligue a ficha da corrente e/ou remova a bateria, se for removível, da ferramenta eléctrica antes de realizar quaisquer ajustes, trocar acessórios ou guardar a ferramenta eléctrica.** Estas medidas de prevenção reduzem o risco de a ferramenta começar a funcionar acidentalmente.
- **Conserve as ferramentas que não estejam a ser utilizadas fora do alcance das crianças e não permita que terceiros que não estejam familiarizados com a ferramenta mecânica ou com estas instruções a utilizem.** As ferramentas tornam-se perigosas nas mãos de pessoas que não estão preparadas para as utilizar.
- **Realize manutenção às ferramentas elétricas e aos acessórios. Certifique-se existem componentes móveis mal alinhados ou dobrados, quebra de componentes e quaisquer outros problemas que possam afectar o funcionamento da ferramenta mecânica. Se detectar quaisquer danos, mande reparar a ferramenta mecânica antes de utilizar.** Muitos acidentes são provocados por ferramentas mecânicas que não foram devidamente mantidas.
- **Mantenha as ferramentas de corte afiadas e limpas.** As ferramentas submetidas a uma manutenção adequada, com arestas de corte afiadas, apresentam menos probabilidades de se prenderem e são controladas mais facilmente. Mantenha as pegas limpas e secas para manter o controlo.
- **Utilize a ferramenta mecânica, os acessórios, as ponteiros, etc. da forma indicada nestas instruções e da maneira prevista para a ferramenta mecânica em causa, tendo em consideração as condições de trabalho e o trabalho a ser realizado.** A utilização da ferramenta mecânica para a realização de trabalhos para os quais não se destina pode dar azo a situações de perigo.
- **Mantenha as pegas e superfícies que permitem segurar a ferramenta secas, limpas e sem óleo e massa lubrificante.** Pegas e superfícies que permitem segurar a ferramenta escorregadias impedem um manuseamento e controlo seguros da ferramenta em situações inesperadas.
- **Sempre que usar luvas, certifique-se de que as luvas não podem impedir o gatilho de ser libertado.** Podem ocorrer lesões pessoais.
- **Nunca remova quaisquer etiquetas. Substitua sempre as etiquetas danificadas.** As etiquetas contêm informações necessárias à utilização segura do produto.

Utilização E Manutenção Das Baterias

- **Utilize sempre o carregador indicado pelo fabricante para a recarga das baterias.** Um carregador adequado para um tipo de bateria pode criar risco de incêndio quando utilizado com outra bateria.
- **Utilize sempre o conjunto de baterias especificamente indicado para a ferramenta mecânica em causa.** A utilização de outro conjunto de baterias pode dar azo a riscos de lesões e de incêndio.
- **Quando a bateria não estiver a ser utilizada mantenha-a afastada de outros objetos metálicos, tais como cliques, moedas, chaves, pregos, parafusos ou outros pequenos objetos metálicos que possam fazer a ligação de um terminal para o outro.** O curto-circuito dos terminais da bateria pode dar azo a queimaduras ou incêndio.
- **Em condições de utilização incorrectas ou exageradas, pode ser derramado líquido da bateria; evite todo e qualquer contacto com este líquido. Em caso de contacto accidental, lave as partes do corpo afectadas com água abundante. Se o líquido entrar em contacto com os olhos, consulte imediatamente um médico.** O líquido derramado da bateria pode causar irritações ou queimaduras.
- **Não utilize uma bateria ou ferramenta que esteja danificada ou modificada.** Baterias danificadas ou modificadas podem apresentar um comportamento imprevisível, resultando em incêndio, explosão ou risco de lesões.
- **Não exponha a bateria ou ferramenta ao fogo ou a temperaturas excessivas.** A exposição ao fogo ou a temperaturas superiores a 130°C (265°F) pode provocar explosão.
- **Siga as instruções de carregamento e não carregue a bateria ou ferramenta fora do intervalo de temperatura especificado nas instruções.** Carregar inadequadamente ou a temperaturas fora do intervalo especificado pode danificar a bateria e aumentar o risco de incêndio.
- **Antes de colocar o conjunto de baterias na ferramenta mecânica, certifique-se de que o interruptor está na posição de bloqueio ou na posição desligada.** A colocação do conjunto de baterias na ferramenta mecânica com o interruptor ligado é um convite a acidentes.
- **Desligue o conjunto da bateria da ferramenta ou coloque o interruptor numa posição desligada e bloqueada antes de efectuar ajustamentos ou mudar acessórios.** Estas medidas de prevenção reduzem o risco de a ferramenta começar a funcionar acidentalmente.
- **As ferramentas eléctricas podem sobreaquecer se permanecerem ligadas quando o motor da ferramenta estiver a produzir um esforço excessivo, ou se estiver bloqueado ou impedido de efectuar a rotação por qualquer razão. Desligue a ferramenta se isso ocorrer.** A utilização contínua nestas condições pode provocar aquecimento, fumo ou fogo, e representa um risco de ferimentos pessoais ou danos a bens.
- **Desligue o conjunto da bateria da ferramenta antes de armazenar a ferramenta ou de a colocar numa caixa ou saco. O arranque accidental durante o armazenamento ou o transporte pode provocar várias condições de risco elevado, incluindo o sobreaquecimento da ferramenta.** A utilização não controlada da ferramenta pode provocar várias situações perigosas, incluindo aquecimento, fumo ou fogo.

- **Não bloqueie os orifícios de arrefecimento de ar da caixa, pois poderá provocar um sobreaquecimento da ferramenta.** A utilização da ferramenta nestas condições poderá provocar calor, fumo ou fogo associados a lesões ou danos de propriedade.
- **A ferramenta poderá sobreaquecer durante uma utilização contínua ou outros ciclos de funcionamento exigentes. Interrompa imediatamente o funcionamento e deixe a ferramenta arrefecer se algum componente da ferramenta ficar demasiado quente ao toque ou existir qualquer indicação de fumo do motor.** Se continuar a utilizar a ferramenta sob estas condições, poderá provocar danos na ferramenta e lesões ou danos de propriedade resultantes do calor ou fogo.
- **Interrompa imediatamente a utilização e substitua qualquer bateria que aqueça excessivamente durante a utilização ou proporcione tempos de utilização muito curtos.** Normalmente, estas baterias têm um número elevado de ciclos de carga/descarga, podem ser antigas ou estar danificadas. Se continuar a utilizar uma bateria incapacitada poderá provocar lesões ou danos de propriedade resultantes do calor, fogo ou explosão.
- **Nunca modifique esta ferramenta, nem os dispositivos de protecção e segurança ou os acessórios.** As modificações não autorizadas podem dar origem a choques eléctricos, incêndios ou lesões pessoais.
- **Utilize apenas acessórios recomendados pela Ingersoll Rand para o modelo de ferramenta que está a utilizar.** Os acessórios adequados para uma ferramenta podem ser perigosos quando utilizados com outra ferramenta.
- **Sempre que usar luvas, certifique-se de que as luvas não podem impedir o gatilho de ser libertado.** Podem ocorrer lesões pessoais.
- **Nunca remova quaisquer etiquetas. Substitua sempre as etiquetas danificadas.** As etiquetas contêm informações necessárias à utilização segura do produto.
- **Intervalo de temperaturas ambiente durante o funcionamento e o armazenamento: 0°C-45°C (32°F-113°F).**
- **Intervalo de temperaturas ambiente recomendada durante o carregamento: 5°C-40°C (41°F-104°F).**

Assistência

- **Esta ferramenta mecânica deve ser assistida e reparada por um técnico qualificado, que deverá utilizar exclusivamente peças sobressalentes idênticas às utilizadas na ferramenta.** Só assim fica garantida a segurança da ferramenta mecânica.
- **Nunca tente reparar uma bateria danificada.** A assistência a baterias deve apenas ser realizada pelo fabricante ou prestadores de serviço autorizado.
- **Sempre que reparar ou manter uma ferramenta, utilize exclusivamente peças sobressalentes originais da Ingersoll Rand e siga todas as Instruções de Manutenção.** A utilização de componentes não autorizados ou o incumprimento das Instruções de Manutenção pode dar origem a risco de choque eléctrico ou lesão.
- **Nunca deite as baterias para o fogo, nem as incinere ou aqueça a temperaturas superiores a 100°C (212°F).** Se não forem manuseadas da forma correcta, as baterias apresentam perigo de incêndio ou de queimadura provocada por produtos químicos.
- **Recicle ou elimine as baterias de forma responsável e em conformidade com todas as normas e os regulamentos aplicáveis (locais, estatais, do país, federais, etc.).** Se a bateria for eliminada de modo incorrecto pode prejudicar o ambiente.



AVISO

Regras de Segurança Específicas do Produto

- **Segure na ferramenta pelas pegas isoladas quando estiver a executar uma operação em que a ferramenta de corte ou as fixações possam entrar em contacto com fios eléctricos ocultos.** A ferramenta de corte ou as fixações em contacto com um fio sob tensão podem fazer com que as partes metálicas expostas da ferramenta elétrica fiquem sob tensão, o que provocará um choque eléctrico ao operador.
- **O encaixe dos acessórios tem de coincidir com o encaixe do retificador de pneus.** Os acessórios que não correspondam ao material de montagem da ferramenta eléctrica irão ficar em desequilíbrio, vibrar excessivamente e poderão provocar a perda de controlo.
- **Utilizar apenas os acessórios indicados no manual (um polidor, uma broca de escareador pequena e uma broca de escareador grande).** A perda de controlo da ferramenta pode dar azo a lesões.
- **Sempre que for utilizado um dispositivo de suspensão, certifique-se de que ele está bem fixo.** Se não estiver bem fixo, o resultado pode ser uma perda de controlo, um movimento inesperado ou a queda da ferramenta.
- **Mantenha-se afastado do ponto de aperto entre a barra de reacção ou as pegas de suporte e qualquer objecto fixo na área de trabalho.** Pode ficar entalado ou ocorrer outro tipo de lesão.
- **Adopte uma postura equilibrada e firme. Nunca se estique demasiado quando estiver a utilizar esta ferramenta.** Esteja atento a mudanças súbitas de movimento, de binários de reacção ou de forças durante ao arranque e a operação. O operador deverá mudar de postura durante tarefas prolongadas, o que pode ajudar a evitar o desconforto e a fadiga.
- **As medidas de controlo adequadas à redução dos perigos de ruído poderão incluir acções como materiais de amortecimento, a fim de evitar que as peças “toquem como uma campainha”.**
- **Não converta esta ferramenta eléctrica para funcionar de uma forma para a qual não tenha sido especificamente concebida e especificada pelo fabricante da ferramenta.** Esta conversão pode resultar numa perda de controlo e provocar lesões pessoais graves.

Regras de Segurança Específicas do Produto- (Apenas o retificador de pneus)

- **Não se recomenda que operações como a perfuração sejam efetuadas com ferramentas que funcionem como retificador.** Utilizar a ferramenta na execução de operações para as quais não foi concebida poderá constituir perigo e resultar em lesões pessoais.
- **Certifique-se de que as peças de trabalho estão seguras.** Utilize pinças ou tornos para segurar a peça de trabalho sempre que possível.
- **Falhas na peça de trabalho, peças rotativas da ferramenta ou acessório ou detritos do material a trabalhar, podem gerar projéteis de alta velocidade.**
- **Antes de colocar esta ferramenta em funcionamento e durante o funcionamento, o operador deve certificar-se de que não se encontram pessoas nas proximidades.**
- **Depois de instalar um acessório, certifique-se de que ninguém se encontra à frente ou em linha com o acessório rotativo.** Tenha em atenção que pode falhar nesta altura se estiver defeituoso, montado incorretamente ou não tiver o tamanho e a velocidade corretos. Pare imediatamente se forem detetadas vibrações consideráveis ou outros defeitos. Desligue a ferramenta eléctrica e determine a causa.
- **Não utilize esta ferramenta se a velocidade real livre exceder as rpm nominais.** Verifique a velocidade livre da ferramenta antes de instalar um acessório, após todas as reparações da ferramenta, antes de cada trabalho e após cada 8 horas de utilização. Verifique a velocidade com um tacómetro calibrado, sem qualquer acessório instalado.
- **Não utilize qualquer acessório cuja velocidade máxima de funcionamento, tal como definida pelo seu fabricante, seja inferior à velocidade nominal da ferramenta.**
- **Certifique-se de que o acessório está corretamente montado e apertado antes de o utilizar.**
- **Para evitar uma saliência excessiva, o eixo do acessório deve ser inserido até à profundidade total das maxilas de aperto do mandril e o comprimento da saliência resultante não deve ser superior à profundidade inserida.**
- **Inspeccione a pinça, as roscas e a porca quanto a danos e desgaste antes de montar o acessório.** Os mandris roscados devem estar bem assentes contra o elemento de tração.

Perigos de pó e fumos

- Use protecção respiratória adequada, caso exista pó ou fumos na área de trabalho.
- O pó e os fumos gerados pela utilização de ferramentas mecânicas e o pó existente dispersado pela sua utilização, podem provocar doenças (por exemplo, cancro, malformações congénitas, asma e/ou dermatite). É essencial proceder à avaliação de riscos e implementação de medidas de controlo adequadas relativamente a estes perigos.
- Direcione a exaustão, de modo a minimizar a agitação do pó num ambiente com muito pó.
- Todos os acessórios ou funcionalidades integrais para a recolha, extracção ou supressão de fumos ou pó no ar deverão ser correctamente utilizados e mantidos segundo as instruções do fabricante.
- Não utilize esta ferramenta em materiais cujo pó ou fumo sejam inflamáveis ou que possam causar um ambiente potencialmente explosivo.
- Para evitar um aumento desnecessário de pó e fumo, os acessórios devem ser seleccionados, inspecionados, devidamente instalados, mantidos e substituídos sempre que se verificar desgaste.

Perigos dos acessórios

- Antes da respectiva utilização, certifique-se de que o acessório está devidamente montado e apertado.
- Utilize apenas os tamanhos e tipos de acessórios recomendados pelo fabricante da ferramenta; não utilizar outros tipos ou tamanhos de acessórios.
- Inspeccione todos os acessórios antes da montagem. Não utilize um acessório que esteja lascado, rachado, não centrado, excessivamente gasto ou danificado de qualquer outra forma.
- Não utilize um acessório que tenha sido exposto a temperaturas negativas, mudanças extremas de temperatura, humidade elevada, solventes, água ou outros líquidos.
- Certifique-se de que o acessório encaixa corretamente no eixo. O acessório não deve ficar demasiado apertado ou demasiado largo. Não utilize casquilhos de redução para adaptar um acessório a qualquer veio, exceto se esses casquilhos forem fornecidos e recomendados pelo fabricante do acessório.
- Quando os acessórios forem fornecidos com casquilhos redutores, o utilizador deve certificar-se de que o casquilho não interfere e que a força de aperto proporciona uma ação de rotação suficiente para evitar o deslizamento do acessório.
- Faça sempre corresponder o tamanho do mandril ao tamanho do eixo do acessório.
- Não utilize discos de rebarbar ou de corte com uma rebarbadora rotativa e um retificador de pneus.
- As precauções e avisos de segurança, restrições de operação e instruções de instalação ou montagem do fabricante do acessório devem ser respeitadas, exceto se não estiverem em conformidade com a informação incluída neste manual ou outros documentos fornecidos com a ferramenta. Em caso de informações contraditórias, siga a indicação que for mais restritiva.

NOTA

Consulte o manual com as informações do produto para obter informações sobre a segurança específica do modelo.

Identificação dos Símbolos de Segurança



Use equipamento de protecção respiratória



Use protecção para os olhos



Use protecção auricular



Use protecção para os olhos e protecção auricular



Leia os manuais antes de utilizar o produto



Perigo de queimadura. Superfície possivelmente quente.

(Desenho 16589525_PT)

Informação de Segurança – Explicação das Palavras de Aviso de Segurança

PERIGO	Indica uma situação de perigo iminente que, se não for evitada, pode dar azo a morte ou lesões graves.
AVISO	Indica uma situação potencialmente perigosa que, se não for evitada, pode dar azo a morte ou lesões graves.
ATENÇÃO	Indica uma situação potencialmente perigosa que, se não for evitada, pode dar azo a lesões ligeiras a moderadas ou a danos em bens e propriedades.
NOTA	Indica informações ou uma política da companhia que diz directa ou indirectamente respeito à segurança do pessoal ou à protecção da propriedade.

Informações de Segurança do Produto: Bateria

Descrição do Produto

Uma bateria é um dispositivo de armazenamento de energia eléctrica utilizado como fonte de alimentação para produtos sem fios da **Ingersoll Rand**.

AVISO

AVISO: Leia todos os avisos de segurança, instruções e especificações fornecidos com esta ferramenta eléctrica. O não cumprimento dos avisos e das instruções pode resultar em choques eléctricos, incêndios e/ou ferimentos graves.

Advertências Gerais de Segurança da Bateria

- **Conserve todos os Avisos e instruções para futura referência.**
- **Compete-lhe a si a responsabilidade pela disponibilização destas informações de segurança a todas as pessoas que venham a utilizar este produto.** O incumprimento das normas e dos regulamentos pode dar azo a lesões pessoais.
- **Instale, utilize, inspeccione e mantenha sempre este equipamento de acordo com todas as normas e regulamentos aplicáveis (locais, estaduais, nacionais, federais, etc.).** Compete-lhe a si a responsabilidade pelo cumprimento destas normas e destes regulamentos. O incumprimento das normas e dos regulamentos pode dar azo a lesões pessoais.
- O termo “power tool” (ferramenta eléctrica) nas advertências refere-se à sua ferramenta eléctrica (sem fios) operada por bateria.

Segurança eléctrica

- **Não expor as baterias ou ferramentas eléctricas à chuva ou condições de humidade.** A entrada de água numa bateria ou ferramenta eléctrica irá aumentar o risco de choque eléctrico.

Segurança pessoal

- **Nunca modifique este produto, nem os dispositivos de protecção e segurança ou os acessórios.** As modificações não autorizadas podem dar origem a choques eléctricos, incêndios ou lesões pessoais.

Uso e cuidado da Bateria e Ferramenta Eléctrica

- **Recarregar apenas com o carregador especificado pelo fabricante.** Um carregador que possa ser adequado para este tipo de bateria pode criar risco de incêndio quando utilizado com outra bateria. Consultar o manual de Informação do Produto Carregador para advertências adicionais específicas do carregador.
- **Utilize as ferramentas eléctricas apenas com conjuntos de baterias específicos.** O uso de quaisquer outros conjuntos de baterias pode criar risco de ferimentos e incêndio.
- **Sempre que o conjunto de baterias não estiver a ser utilizado, mantenha-o afastado de outros objectos metálicos, como: cliques, moedas, chaves, pregos, parafusos ou outros objectos metálicos de pequena dimensão que possam estabelecer ligação entre um terminal e o outro.** O curto-circuito dos terminais da bateria pode dar azo a faíscas, queimaduras ou incêndio.
- **Sob condições abusivas, pode sair líquido das baterias; evitar o contacto. Se ocorrer um contacto accidental, lave imediatamente com água. Se o líquido entrar em contacto com os olhos, deve também procurar um médico.** O líquido ejectado das baterias pode provocar irritação ou queimaduras.
- **Não utilize uma bateria ou ferramenta que esteja danificada ou modificada.** Baterias danificadas ou modificadas podem apresentar um comportamento imprevisível, resultando em incêndio, explosão ou risco de lesões.
- **Não exponha a bateria ou ferramenta ao fogo ou a temperaturas excessivas.** A exposição ao fogo ou a temperaturas superiores a 130°C (265°F) pode provocar explosão.
- **Siga as instruções de carregamento e não carregue a bateria ou ferramenta fora do intervalo de temperatura especificado nas instruções.** Carregar inadequadamente ou a temperaturas fora do intervalo especificado pode danificar a bateria e aumentar o risco de incêndio.
- **Armazene as pilhas e as ferramentas eléctricas não usadas fora do alcance das crianças e não permita que pessoas não familiarizadas com a bateria ou ferramenta eléctrica ou estas instruções para operar a bateria ou ferramenta eléctrica.** As pilhas e ferramentas eléctricas são perigosas nas mãos de utilizadores sem formação.
- **Use a bateria, a ferramenta eléctrica, acessórios e peças da ferramenta, etc., em conformidade com estas instruções, tendo em consideração as condições de funcionamento e o trabalho a ser realizado.** O uso da bateria ou ferramenta eléctrica para outras operações que não as previstas pode resultar numa situação perigosa.
- **Interrompa imediatamente a utilização e substitua qualquer bateria que aqueça excessivamente durante a utilização ou proporcione tempos de utilização muito curtos.** Normalmente, estas baterias têm um número elevado de ciclos de carga/descarga, podem ser antigas ou estar danificadas. Se continuar a utilizar uma bateria incapacitada poderá provocar lesões ou danos de propriedade resultantes do calor, fogo ou explosão.
- **Nunca remova quaisquer etiquetas. Substitua sempre as etiquetas danificadas.** As etiquetas contêm informações necessárias à utilização segura do produto.
- **Não sujeitar as baterias a choque mecânico.**
- **Não deixar a bateria em carga prolongada quando não em utilização.**
- **Quando possível, desligue a bateria do equipamento quando não estiver a ser utilizada.**
- **Não usar baterias quem estejam fisicamente danificadas.**

Assistência

- **Nunca tente reparar uma bateria danificada.** A assistência a baterias deve apenas ser realizada pelo fabricante ou prestadores de serviço autorizado.
- **Nunca deite as baterias para o fogo, nem as incinere ou aqueça a temperaturas superiores a 100°C (212°F).** Se não forem manuseadas da forma correcta, as baterias apresentam perigo de incêndio ou de queimadura provocada por produtos químicos.
- **Recicle ou elimine as baterias de forma responsável e em conformidade com todas as normas e os regulamentos aplicáveis (locais, estatais, do país, federais, etc.).** Se a bateria for eliminada de modo incorrecto pode prejudicar o ambiente.
- **Não abra a tampa ou a caixa. No interior não existem quaisquer peças que possam ser reparadas pelo utilizador.** Podem ocorrer choques eléctricos ou outras lesões pessoais.

NOTA

Consulte o manual com as informações do produto para obter informações sobre a segurança específica do modelo.

Identificação dos Símbolos de Segurança






Risco de choque eléctrico



Leia os manuais antes de utilizar o produto

(Desenho 16573735_PT)

Informação de Segurança – Explicação das Palavras de Aviso de Segurança

 PERIGO	Indica uma situação de perigo iminente que, se não for evitada, pode dar azo a morte ou lesões graves.
 AVISO	Indica uma situação potencialmente perigosa que, se não for evitada, pode dar azo a morte ou lesões graves.
 ATENÇÃO	Indica uma situação potencialmente perigosa que, se não for evitada, pode dar azo a lesões ligeiras a moderadas ou a danos em bens e propriedades.
NOTA	Indica informações ou uma política da companhia que diz directa ou indirectamente respeito à segurança do pessoal ou à protecção da propriedade.

Informações de Segurança do Produto: Carregador de baterias

Descrição do Produto

Um Carregador de Baterias é um dispositivo elétrico que converte corrente elétrica alterna na corrente elétrica contínua que é utilizada para carregar baterias recarregáveis.

AVISO

AVISO: Leia todos os avisos de segurança, instruções, ilustrações e especificações fornecidos com esta ferramenta elétrica. Se as instruções que se seguem não forem integralmente cumpridas, podem ocorrer choques elétricos, incêndios e/ou lesões graves.

Regras Gerais de Segurança

- **Compete-lhe a si a responsabilidade pela disponibilização destas informações de segurança a todas as pessoas que venham a utilizar este produto.** O incumprimento das normas e dos regulamentos pode dar azo a lesões pessoais.
- **Instale, utilize, inspecione e mantenha sempre este produto de acordo com todas as normas e regulamentos aplicáveis (locais, estaduais, nacionais, federais, etc.).** Compete-lhe a si a responsabilidade pelo cumprimento destas normas e destes regulamentos. O incumprimento das normas e dos regulamentos pode dar azo a lesões pessoais.

Este aparelho não pode ser utilizado por crianças a partir dos 8 anos de idade e por pessoas com capacidades físicas, sensoriais ou mentais reduzidas ou falta de experiência e conhecimento, desde que sejam supervisionadas, ou que recebam instruções sobre a utilização do Aparelho de maneira segura e que compreendam os riscos inerentes. As crianças não devem brincar com este Aparelho. A limpeza e manutenção por parte do utilizador não deverão ser feitas por crianças sem supervisão.

Segurança do trabalho área

- **Não utilize o carregador de baterias em atmosferas explosivas, como, por exemplo, em presença de líquidos, gases ou poeiras inflamáveis.** Os carregadores de baterias podem produzir faíscas que podem incendiar poeiras ou gases.

Segurança Elétrica

- **Os produtos com duplo isolamento estão equipados com uma plugue polarizada (um pino é mais largo do que o outro). Esta plugue só pode ser introduzida numa tomada polarizada numa posição. Se a plugue não entrar completamente na tomada, vire-a ao contrário. Se mesmo assim não entrar, entre em contato com um técnico electricista para instalar uma tomada polarizada. Não altere a plugue de nenhuma forma.** O duplo isolamento elimina a necessidade de um cabo de terra de três fios e um sistema de alimentação ligado à terra.
- **Certifique-se sempre de que não usa indevidamente o cabo. Nunca utilize o cabo da ferramenta mecânica para a transportar, para a puxar nem para a desligar da tomada, puxando por ele. Mantenha os cabos afastados do calor, do óleo, de arestas afiadas ou de componentes rotativos.** Os cabos danificados ou emaranhados aumentam o risco de choque elétrico.
- **Um produto accionado por bateria, com baterias incorporadas ou com um conjunto de baterias separado, só pode ser recarregado utilizando um carregador especificado para a bateria.** Um carregador que é adequado para um tipo de bateria pode causar riscos de incêndio quando é utilizado com outra bateria.
- **O carregador foi concebido exclusivamente para uma utilização no interior. Não exponha o carregador à chuva. Não utilize o carregador em locais molhados ou húmidos.** Podem ocorrer choques elétricos ou outras lesões pessoais.
- **Utilize sempre a tensão de alimentação especificada.** Uma tensão incorrecta pode dar origem a choques elétricos, incêndios, funcionamento irregular e lesões pessoais.
- **Evite o contato dos terminais de carregamento das baterias com os dedos, fios ou outro material condutor. Ligue este carregador exclusivamente a baterias da Ingersoll Rand aprovadas.** Se não o fizer, podem ocorrer choques elétricos ou outras lesões pessoais.
- **Não tente recarregar baterias não recarregáveis.** Se o fizer, poderão ocorrer choques elétricos, incêndios ou lesões pessoais.

Segurança Pessoal

- **Nunca modifique este produto, nem os dispositivos de protecção e segurança ou os acessórios.** As modificações não autorizadas podem dar origem a choques elétricos, incêndios ou lesões pessoais.
- **Nunca utilize este produto para fins diferentes daqueles para que é recomendado.** Se o fizer, poderão ocorrer choques elétricos, incêndios ou lesões pessoais.
- **Coloque o carregador numa posição estável antes de o ligar a uma fonte de alimentação. Mantenha o carregador fora do alcance das crianças.** Uma localização incorrecta ou uma utilização incorrecta por parte de crianças pode dar origem a choques elétricos, incêndios ou lesões pessoais.

Utilização e Manutenção

- **Nunca utilize um carregador danificado ou que não esteja a funcionar nas devidas condições. Desligue imediatamente o carregador e proceda à respectiva reparação ou substituição.** A utilização continuada pode dar origem a choques elétricos, incêndios ou lesões pessoais.
- **Nunca remova quaisquer etiquetas. Substitua sempre as etiquetas danificadas.** As etiquetas contêm informações necessárias à utilização segura do produto.

Assistência

- **O carregador só pode ser reparado ou mantido por um Centro de Assistência Técnica Autorizado da Ingersoll Rand ou por um técnico similarmente qualificado.** Uma assistência ou manutenção realizada por pessoal não qualificado pode dar azo a riscos ou a lesões.
- **Não abra a tampa ou a caixa. No interior não existem quaisquer peças que possam ser reparadas pelo utilizador.** Se o fizer, podem ocorrer choques elétricos ou outras lesões pessoais.
- **Se o cabo de alimentação estiver danificado, tem de ser substituído por um Centro de Assistência Técnica Autorizado da Ingersoll Rand ou por um técnico similarmente qualificado.** Os cabos danificados e incorrectamente instalados aumentam o risco de choque elétrico.

NOTA

Consulte o manual com as informações do produto para obter informações sobre a segurança específica do modelo.

Identificação dos Símbolos de Segurança



Risco de choque elétrico



Exclusivamente destinado a uma utilização no interior



Leia os manuais antes de utilizar o produto

(Desenho 16590275_PT)

Informação de Segurança – Explicação das Palavras de Aviso de Segurança

PERIGO

Indica uma situação de perigo iminente que, se não for evitada, pode dar azo a morte ou lesões graves.

AVISO

Indica uma situação potencialmente perigosa que, se não for evitada, pode dar azo a morte ou lesões graves.

ATENÇÃO

Indica uma situação potencialmente perigosa que, se não for evitada, pode dar azo a lesões ligeiras a moderadas ou a danos em bens e propriedades.

NOTA

Indica informações ou uma política da companhia que diz directa ou indirectamente respeito à segurança do pessoal ou à protecção da propriedade.

Informações Sobre as Peças do Produto

ATENÇÃO

A utilização de peças sobressalentes que não sejam peças sobressalentes originais da Ingersoll Rand pode colocar a segurança em perigo, reduzir o desempenho da ferramenta, aumentar a necessidade de manutenção e invalidar todas as garantias.

As reparações só devem ser feitas por técnicos autorizados e com formação adequada. Consulte o centro de assistência técnica autorizado Ingersoll Rand mais próximo.

As instruções originais estão redigidas na língua inglesa. E encontram-se traduzidas noutros idiomas.

Pode transferir manuais do seguinte endereço da Internet: ingersollrand.com

Para qualquer assunto, contacte o escritório ou o distribuidor da **Ingersoll Rand** mais próximo.



This section contains product information for

- Cordless Tire Buffer (G4911)
- IQ^{V20} Battery
- IQ^{V20} Battery Charger

Esta sección contiene información de producto de

- Pulidor de neumáticos sin cable (G4911)
- Batería de IQ^{V20}
- Cargador de la batería de IQ^{V20}

Cette section contient des informations sur les produits pour

- Lustreuse de pneus sans fil (G4911)
- Batterie IQ^{V20}
- Chargeur de batterie IQ^{V20}

Esta secção contém informações sobre produtos para

- Retificadora de pneus sem fio (G4911)
- Bateria IQ^{V20}
- Carregador de baterias IQ^{V20}

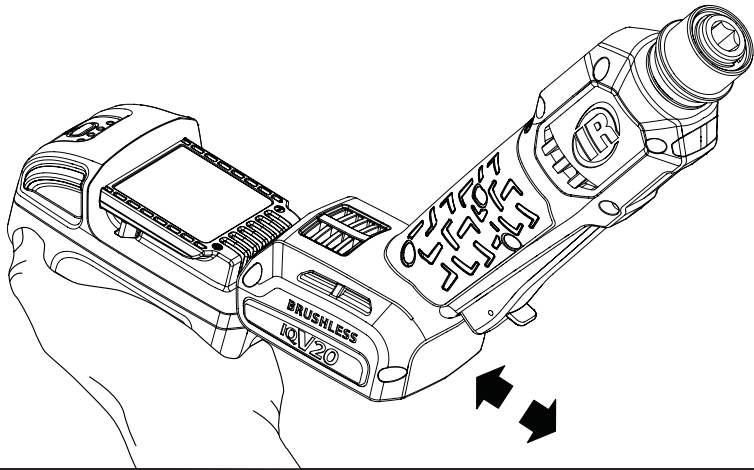
Product Information

- EN** Product Information
- ES** Especificaciones del producto
- FR** Spécifications du produit
- PT** Especificações do Produto

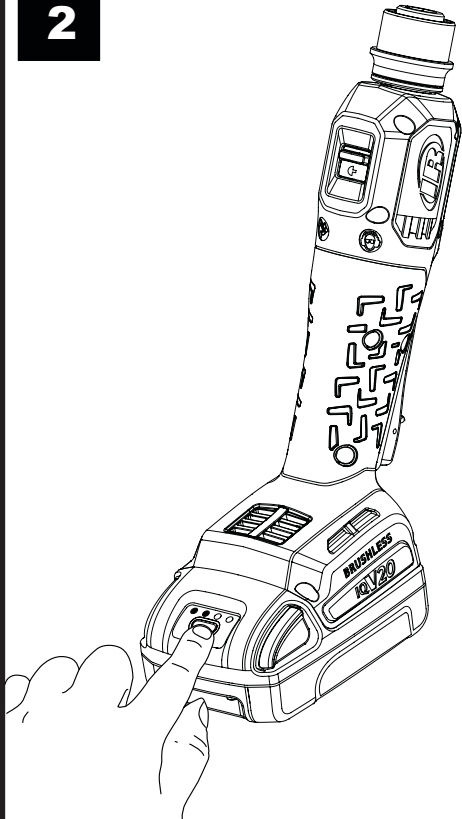


Save These Instructions

1

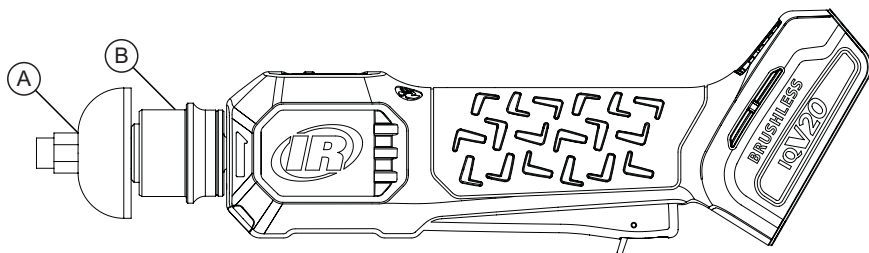


2

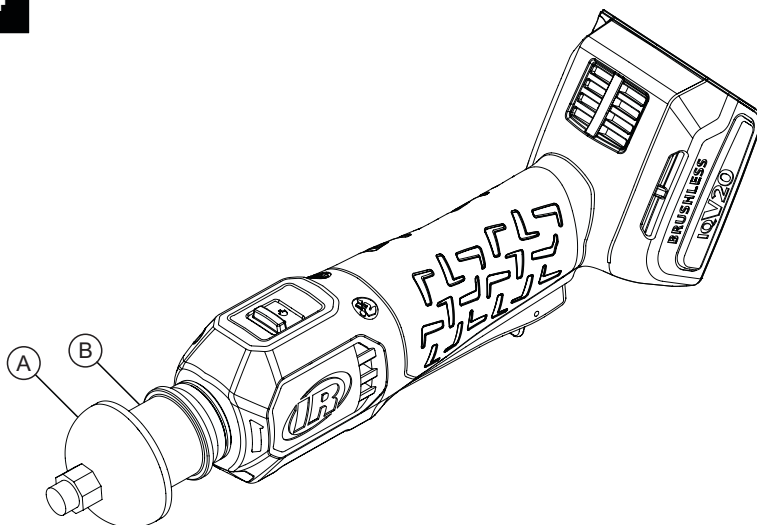


- ● ● ● = 75-100%
- ● ● = 50-75%
- ● = 25-50%
- = <25%

3



4



(Dwg. TL-G4911-PIM-2)

Product Information: Cordless Tire Buffer

Product Safety Information

Intended Use:

This Cordless Tire Buffer is designed for drilling/reaming punctures and grinding tire surfaces for internal patchwork.

WARNING

⚠️ WARNING: Read all safety warnings, instructions, illustrations, and specifications provided with this power tool. Failure to follow the warnings and instructions may result in electric shock, fire and/or serious injury. Save all warnings and instructions for future reference.

- **Responsibly recycle or dispose of batteries.** Do not puncture or burn batteries. Improper disposal may endanger the environment or cause personal injury.
- **Only use tools with appropriate voltage Ingersoll Rand batteries and charger.** Use of any other batteries may create a risk of fire, personal injury or property damage.

For additional information, refer to Cordless Tire Buffer Product Safety Manual Form TL-G4911-SIM, Battery Charger Safety Information Manual Form 10567832 and Battery Safety Information Manual Form 10567840.

Manuals can be downloaded from ingersollrand.com

Product Specifications

Model	Buffing RPM	Reaming RPM	Quick Change Collet	Max. Buffing Accessory Ø	Max. Reaming Accessory Ø
G4911	0-3,000	0-1,000	7/16" Hex	3"	3/8"

Model	Voltage	Battery Models	Sound level dB(A) (EN/BS EN 60745)		Vibration (m/s ²) (EN/BS EN 60745)	
	V, DC		† Pressure (L _p)	‡ Power (L _w)	Level	*K
G4911	20	BL2012 and BL2022	66.1	74.1	1.7	1.5

† K_{PA} = 3dB measurement uncertainty

‡ K_{WA} = 3dB measurement uncertainty

* K = Vibration measurement uncertainty

Sound/Vibration values determined according to EN/BS EN 60745-2-23:2023.

Conforms to UL STD. 62841-1.
Certified to CSA STD. C22.2 No. 62841-1.



WARNING

Sound and vibration values were measured in compliance with internationally recognized test standards. The exposure to the user in a specific tool application may vary from these results. Therefore, on site measurements should be used to determine the hazard level in that specific application.

Reamer Bits/Buffering Wheel Installation

Refer to Figure 3 on page 37.

WARNING

Always remove the battery pack, before installing, removing or adjusting any accessory on this tool, or before performing any maintenance on this tool or any accessory.

1. Move the Collet (B) forward and hold it.
2. Insert the Attachment (A) into the Collet (B).
3. Release the Collet (B).
4. Check to ensure the Attachment (A) is held securely in the Collet (B).

Reamer Bits/Buffering Wheel Adjustment

Refer to Figure 4 on page 37.

WARNING

Always remove the battery pack, before installing, removing or adjusting any accessory on this tool, or before performing any maintenance on this tool or any accessory.

1. Move the Collet (B) forward.
2. Move the Attachment (A) to desired position.
3. Release the Collet (B).

Parts and Maintenance

Tool repair and maintenance should only be carried out by an Authorized Service Center.

Refer all communications to the nearest **Ingersoll Rand** Office or Distributor.

Product Information: Battery

Product Safety Information

Intended Use:

These batteries are used as the power source for **Ingersoll Rand** Cordless Products.



WARNING

⚠ WARNING: Read all safety warnings, instructions, illustrations, and specifications provided with this power tool. Failure to follow the warnings and instructions may result in electric shock, fire and/or serious injury.

- **Save all warnings and instructions for future reference.**
- **Responsibly recycle or dispose of batteries.** Do not puncture or burn batteries. Improper disposal may endanger the environment or cause personal injury.

For additional information, refer to Battery Safety Information Manual Form 10567840.

Manuals can be downloaded from ingersollrand.com

Product Specifications

Models	Chemistry	Capacity (Ah)	Weight lb (kg)
BL2012	Lithium-ion	2.5	0.94 (0.43)
BL2022		5.0	1.60 (0.73)

Operating Temperatures

Rechargeable batteries give their best performance when they are operated at a normal room temperature of 15°C to 25°C (59°F to 77°F). An excessively hot or cold battery may prevent or interrupt the battery from being charged or discharged.

Parts and Maintenance

Labels are the only User Replaceable Parts.

Models	Warning Labels
BL2012	BL20-99-3 and BL2012-99-AP5
BL2022	BL20-99-4 and BL2022-99-AP5

Refer all communications to the nearest **Ingersoll Rand** Office or Distributor.

Product Information: Battery Charger

Product Safety Information



WARNING

Important safety instructions - Save these instructions.



DANGER

To reduce the risk of fire or electric shock, carefully follow these instructions.

Intended Use:

This Battery Charger is designed for charging **Ingersoll Rand** batteries only.



WARNING

- **Only use Ingersoll Rand charger with Ingersoll Rand IQ^{V20} Series Li-ion batteries.** Use of other batteries or chargers may create a risk of fire or may cause battery to burst when charging. Personal injury or property damage may result.
- **Charger is not user serviceable. Repair should only be carried out by an Ingersoll Rand Authorized Service Center.** User service may result in electric shock, fire and/or serious personal injury.
- **In a residential, commercial or light industrial environment it may cause radio interference.** This product is not intended to be installed in a residential environment; in a commercial and light industrial environment with connection to the public mains supply, the user may be required to take measures to reduce interference.
- **This product is not intended to be used by travelers.**

For additional information, refer to Battery Charger Safety Information Manual Form 10567832 and Battery Safety Information Manual Form 10567840.

Manuals can be downloaded from ingersollrand.com

Product Specifications

Models	Input	Output	Battery	
			Model Number	Type
BC1121	100-240V AC ~ 50-60 Hz, 100W, 160-215VA	12.6V DC 2.0A/21V DC 4.0A USB Type A, 5V DC, 500mA, D+/D- Connected, 200Ω	BL2012 and BL2022	Li-ion
BC1221	100-240V AC ~ 50-60 Hz, 200W, 320-395VA	12.6V DC, 2.0A (x2) 21V DC, 4.0A (x2) USB Type A, 5V DC, 500mA, D+/D- Connected, 200Ω		
BC1221-EU	220-240V AC ~ 50-60 Hz, 200W, 340VA			

Instructions for Charging Battery

The charger shall be installed near a socket-outlet that is easily accessible.

Do not charge battery pack when temperature is below 0°C (32°F) or above 45°C (113°F). Completely charge new battery packs before using.

Charging time is approximately 60-90 minutes.

Unplug charger and remove battery pack when not in use.

The dual bay charger is capable of independent and simultaneous charging of 12V and 20V batteries.

Action	Condition	Charger Display		Alarm (Sound)	Fuel Gauge
		Green	Red		
Plug charger into AC power outlet.	Power On (Stand-By).	●	○	-	○○○○
Insert battery pack into charger.	Charging. Fuel gauge will indicate state of charge.	●	○	-	*○○○ ▾
	Communications Failure. Battery Identification/Read Fault Reinsert battery. Battery may be defective.	○	●	Low ↓	○○○○
	Initial Temperature. Charging paused until battery has returned to safe temperature.	○	2 x *	Low ↓	○○○○
	Time Out. Charge time exceeded. Battery may be defective.	○	3 x *	Low ↓	○○○○
	In Cycle Temperature. Charging paused until battery has returned to safe temperature.	○	4 x *	Low ↓	○○○○
	Over Voltage. High voltage detected. Battery may be defective.	○	5 x *	Low ↓	○○○○
	Over Current. High current detected. Battery may be defective.	○	6 x *	Low ↓	○○○○
	Charge Completed.	●	○	High ↑	●●●●
	Remove battery pack.	Battery Pack Removed.	●	○	High ↑

Legend: * Flash ● On ○ Off

Routine Maintenance

Unplug charger before cleaning. Plastic surfaces should only be cleaned with a slightly damp cloth. Keep vents free of dust and debris. Charger should not be used with a damaged cord. Replacement cords and labels are available at nearest Authorized **Ingersoll Rand** Service Center.

Refer all communications to nearest **Ingersoll Rand** Office or Distributor.

Environmental Protection

When life of **Ingersoll Rand** electrical product has expired, it must be recycled in accordance with all applicable standards and regulations (local, state, country, federal, etc.). Improper disposal may endanger environment.

Symbol Identification



Return waste material for recycling.



Do not dispose of this product with household waste material.



Product contains Lithium-ion. Do not dispose of this product with household waste material.

Original instructions are in English. Other languages are a translation of the original instructions.

Especificaciones del producto: Pulidor de neumáticos sin cable

Información de seguridad sobre el Producto

Uso Indicado:

Este pulidor de neumáticos inalámbrico está diseñado para perforar/raspar pinchazos y pulir superficies de neumáticos para parches internos.

ADVERTENCIA

⚠ ADVERTENCIA: Consulte todas las advertencias de seguridad, instrucciones, ilustraciones y especificaciones que acompañan a esta herramienta motorizada. No respetar los avisos e instrucciones puede resultar en descarga eléctrica, incendio o daños graves. Guarde todos los avisos e instrucciones para su futura consulta.

- **Recicle o deshágase de las baterías de manera responsable.** No perforo ni queme las baterías. La eliminación inadecuada de las pilas puede poner en peligro el medio ambiente o provocar lesiones corporales.
- **Utilice sólo herramientas con baterías y cargadores Ingersoll Rand de la tensión apropiada.** El uso de otras baterías puede provocar incendios, lesiones corporales o daños materiales.

Para obtener información adicional, consulte el formulario TL-G4911-SIM del Manual de seguridad del producto del pulidor de neumáticos inalámbrico, el formulario 10567832 del Manual de información de seguridad del cargador de batería y el formulario 10567840 del Manual de información de seguridad de la batería.

Los manuales pueden descargarse desde ingersollrand.com

Especificaciones del Producto

Modelo	RPM de pulido	RPM de esariado	Pinza de cambio rápido	Máx. Ø del accesorio de pulido	Ø máx. accesorio esariado
G4911	0-3,000	0-1,000	7/16" Hex	3"	3/8"

Modelo	Tensión	Modelos de batería	Potencia Sonora dB(A) (EN/BS EN 60745)		Vibración (m/s ²) (EN/BS EN 60745)	
	V, DC		† Presión (L _p)	‡ Potencia (L _w)	Nivel	*K
G4911	20	BL2012 y BL2022	66.1	74.1	1.7	1.5

† K_{PA} = 3dB de error

‡ K_{WA} = 3dB de error

* K = de error (Vibración)

Valores de sonido/vibración determinados según EN/BS EN 60745-2-23:2023.

Cumple la norma UL STD. 62841-1.

Cuenta con la certificación CSA STD. C22.2 No. 62841-1.



ADVERTENCIA

Los valores de ruido y vibración se han medido de acuerdo con los estándares para pruebas reconocidos internacionalmente. Es posible que la exposición del usuario en una aplicación específica de herramienta difiera de estos resultados. Por lo tanto, la mediciones in situ se deberían utilizar para determinar el nivel de riesgo en esa aplicación específica.

Instalación de brocas esariadoras/discos pulidores

Consulte la ilustración 3 de la página 37.

ADVERTENCIA

Antes de instalar, extraer o ajustar cualquier accesorio en esta herramienta, o antes de realizar cualquier labor de mantenimiento en ella o en los accesorios, extraiga siempre las baterías.

1. Mueva la pinza (B) hacia delante y sujétela.
2. Inserte el accesorio (A) en la pinza (B).
3. Suelte la pinza (B).
4. Compruebe que el accesorio (A) está bien sujeto en el collar (B).

Ajuste de las brocas esariadoras/discos pulidores

Consulte la ilustración 4 de la página 37.

ADVERTENCIA

Antes de instalar, extraer o ajustar cualquier accesorio en esta herramienta, o antes de realizar cualquier labor de mantenimiento en ella o en los accesorios, extraiga siempre las baterías.

1. Mueva la pinza (B) hacia delante.
2. Mueva el accesorio (A) a la posición deseada.
3. Suelte la pinza (B).

Piezas y Mantenimiento

Las labores de reparación y mantenimiento de las herramientas sólo se pueden realizar en un centro de servicio autorizado.

Remita todas las comunicaciones a la oficina o distribuidor de **Ingersoll Rand** más cercano.

Especificaciones del producto: Batería

Información de Seguridad Sobre el Producto

Uso indicado:

Estas baterías se utilizan como fuente de alimentación para los productos inalámbricos de **Ingersoll Rand**.



ADVERTENCIA

⚠️ ADVERTENCIA: Consulte todas las advertencias de seguridad, instrucciones, ilustraciones y especificaciones que acompañan a esta herramienta motorizada. No respetar los avisos e instrucciones puede resultar en descarga eléctrica, incendio o daños graves.

- **Guarde todos los avisos e instrucciones para su futura consulta.**
- **Recicle o deshágase de las baterías de manera responsable.** No perforo ni queme las baterías. La eliminación inadecuada de las pilas puede poner en peligro el medio ambiente o provocar lesiones corporales.

Para obtener más información, consulte el formulario 10567840 del manual de información de seguridad de las baterías.

Los manuales pueden descargarse desde ingersollrand.com

Especificaciones del Producto

Modelos	Composición química	Capacidad (Ah)	Peso lb (kg)
BL2012	Ion de litio	2.5	0.94 (0.43)
BL2022		5.0	1.60 (0.73)

Temperaturas de funcionamiento

Las baterías recargables brindan su mejor rendimiento cuando funcionan con temperatura ambiente normal de 15°C a 25°C (59°F a 77°F). Una batería excesivamente caliente o fría puede impedir o interrumpir su carga o descarga.

Piezas y mantenimiento

Las etiquetas son las únicas piezas sustituibles por el usuario.

Modelos	Etiquetas de advertencia
BL2012	BL20-99-3 y BL2012-99-AP5
BL2022	BL20-99-4 y BL2022-99-AP5

Remita todas las comunicaciones a la oficina o distribuidor de **Ingersoll Rand** más cercano.

Especificaciones del producto: Cargador de la Batería

Información de Seguridad Sobre el Producto



ADVERTENCIA

Instrucciones importantes de seguridad - Guarde estas instrucciones.



PELIGRO

Para reducir el riesgo de incendio o cortocircuito eléctrico, siga con atención estas instrucciones.

Uso indicado:

Este cargador de baterías está diseñado para cargar las baterías de **Ingersoll Rand** solamente.



ADVERTENCIA

- **Utilice solo el cargador de Ingersoll Rand con baterías de ion-litio IQ^{v20} de Ingersoll Rand.** La utilización de otras baterías o cargadores podría provocar un incendio o la explosión de la batería mientras se carga. Podría causar lesiones corporales o daños materiales.
- **No hay elementos del cargador que el usuario pueda reparar. La reparación sólo puede llevarla a cabo un centro de servicio autorizado de Ingersoll Rand.** La reparación por parte del usuario podría provocar descargas eléctricas, incendios y lesiones corporales graves.
- **En un entorno residencial, comercial o de industria ligera puede provocar radiointerferencias.** Este producto no debe instalarse en un entorno residencial; en entornos comerciales y de industria ligera con conexión a la red eléctrica pública, puede que el usuario tenga que tomar medidas para reducir las interferencias.
- **Este producto no está previsto para ser utilizado por personas de viaje.**

Para obtener información adicional, consulte el formulario 10567832 del manual de información de seguridad del cargador de baterías o el formulario 10567840 del manual de información de seguridad de la batería.

Los manuales pueden descargarse desde ingersollrand.com

Especificaciones del producto

Modelos	Entrada	Salida	Batería	
			Número de modelo	Tipo
BC1121	100-240V AC ~ 50-60 Hz, 100W, 160-215VA	12.6V DC 2.0A/21V DC 4.0A USB Type A, 5V DC, 500mA, Connexion bornes D+/D-, 200Ω	BL2012 y BL2022	Li-ion
BC1221	100-240V AC ~ 50-60 Hz, 200W, 320-395VA	12.6V DC, 2.0A (x2) 21V DC, 4.0A (x2)		
BC1221-EU	220-240V AC ~ 50-60 Hz, 200W, 340VA	USB Type A, 5V DC, 500mA, Connexion bornes D+/D-, 200Ω		

Instrucciones para cargar la batería

Debe instalarse el cargador cerca de un enchufe fácilmente accesible.

No cargue la batería cuando la temperatura sea inferior a 0°C (32°F) o superior a 45°C (113°F). Cargue por completo las baterías nuevas antes de utilizarlas.

El tiempo de carga es de aproximadamente 60-90 minutos.

Cuando no lo vaya a utilizar, desconecte el cargador y retire la batería.

El cargador de doble bahía es capaz de cargar de forma independiente y simultánea baterías de 12V y 20V.

Acción	Estado	Indicadores del cargador		Alarma (sonido)	Indicador de nivel de carga
		Verde	Rojo		
Conecte el cargador a una toma de CA.	Encendido (posición de espera).	●	○	-	○○○○
Inserte el paquete de la batería en el cargador.	Cargando. El indicador marca el nivel de carga.	●	○	-	*○○○ └
	Error de comunicación. Identificación de la batería/Leer defecto, reinsertar batería. Puede que la batería esté dañada.	○	●	Baja ♪	○○○○
	Temperatura inicial. Carga detenida hasta que la batería se enfríe a una temperatura segura.	○	2 x *	Baja ♪	○○○○
	Expiración del tiempo. Se ha excedido el tiempo de carga. Puede que la batería esté dañada.	○	3 x *	Baja ♪	○○○○
	Temperatura en ciclo. Carga detenida hasta que la batería se enfríe a una temperatura segura.	○	4 x *	Baja ♪	○○○○
	Sobretensión. Se ha detectado una tensión alta. Puede que la batería esté dañada.	○	5 x *	Baja ♪	○○○○
	Sobrecorriente. Se ha detectado una corriente alta. Puede que la batería esté dañada.	○	6 x *	Baja ♪	○○○○
	Carga finalizada.	●	○	Alta ♪	●●●●
Extraiga las baterías.	Paquete de batería retirado.	●	○	Alta ♪	---

Legenda: * Intermitente ● Encendido ○ Apagado

Mantenimiento periódico

Desconecte el cargador antes de limpiarlo. Las superficies de plástico sólo pueden limpiarse con un paño ligeramente húmedo. Mantenga las salidas de ventilación limpias de polvo y suciedad. No utilice el cargador si el cable está dañado. Las etiquetas y cuerdas de recambio están disponibles en el **Ingersoll Rand Service Center** autorizado más cercano.

Remita todas las comunicaciones a la oficina o distribuidor de **Ingersoll Rand** más cercano.

Protección del Medio Ambiente

Cuando haya finalizado la vida útil del producto de **Ingersoll Rand**, deberá reciclarlo según las normas y reglamentos vigentes (locales, estatales, nacionales, federales, etc.). La eliminación inadecuada de las baterías puede poner en peligro el medio ambiente.

Identificación de símbolos



Recicle este producto.



No se deshaga de este producto de la forma habitual.



Este producto contiene litio-ion. No se deshaga de este producto de la forma habitual.

Las instrucciones originales están en inglés. Las demás versiones son una traducción de las instrucciones originales.

Spécifications du produit: Lustreuse de pneus sans fil

Consignes de sécurité du Produit

Utilisation prévue:

Ce tampon de pneus sans fil est conçu pour percer/aléser les crevaisons et poncer les surfaces des pneus pour les réparations internes.

AVERTISSEMENT

AVERTISSEMENT: Lisez attentivement tous les avertissements, instructions, illustrations et spécifications de sécurité fournis avec cet outil. Ne pas suivre les avertissements et instructions peut entraîner la survenue d'un choc électrique, d'un incendie et/ou de blessures graves. Conserver la totalité des avertissements et instructions fournis pour d'éventuelles consultations ultérieures.

- **Recyclez ou éliminez les piles en respectant l'environnement.** Ne pas perforer ou brûler les piles. Une élimination incorrecte des piles peut nuire à l'environnement ou causer des blessures.
- **N'utilisez les outils qu'avec des piles et chargeurs Ingersoll Rand de tension appropriée.** L'utilisation d'autres piles peut constituer un risque d'incendie, de blessure ou de dégâts matériels.

Pour plus d'informations, se reporter au manuel de sécurité du tampon de pneus sans fil TL-G4911-SIM, au manuel d'information sur la sécurité du chargeur de batterie 10567832 et au manuel d'information sur la sécurité de la batterie 10567840.

Les manuels peuvent être téléchargés sur le site ingersollrand.com

Spécifications du produit

Modèle	Vitesse de lustrage	Tr/min d'alésage	Pince de serrage à changement rapide	Max. Accessoire de lustrage Ø	Max. Ø d'accessoire d'alésage
G4911	0-3,000	0-1,000	7/16" Hexagone	3"	3/8"

Modèle	Tension	Modèles de batterie	Niveau Sonore dB(A) (EN/BS EN 60745)		Vibration (m/s ²) (EN/BS EN 60745)	
	V, DC		† Pression (L _p)	‡ Puissance (L _w)	Niveau	*K
G4911	20	BL2012 et BL2022	66.1	74.1	1.7	1.5

† K_{PA} = incertitude de mesure 3dB

‡ K_{WA} = incertitude de mesure 3dB

* K = incertitude de mesure (Vibration)

Valeurs acoustiques et vibratoires déterminées selon la norme EN/BS EN 60745-2-23:2023.

Conforme à UL STD. 62841-1.
Certifié à CSA STD. C22.2 No. 62841-1.



AVERTISSEMENT

Les valeurs sonores et vibratoires ont été mesurées dans le respect des normes de tests reconnues au niveau international. L'exposition de l'utilisateur lors d'une application d'outil spécifique peut différer de ces résultats. Par conséquent, il faut utiliser des mesures sur site afin de déterminer le niveau de risque de cette application spécifique.

Installation des mèches d'alésoir et des disques de lustrage

Reportez-vous à la figure 3, page 37.

AVERTISSEMENT

Retirez toujours le bloc batterie avant d'installer, de déposer ou d'ajuster un accessoire sur cet outil, ou avant d'entreprendre une quelconque opération de maintenance sur le produit ou l'un de ses accessoires.

1. Déplacer la pince de serrage (B) vers l'avant et la maintenir.
2. Insérer la fixation (A) dans la pince de serrage (B).
3. Relâcher la pince de serrage (B).
4. Vérifier que la fixation (A) est bien maintenue dans la pince de serrage (B).

Réglage des mèches d'alésoir et des disques de lustrage

Reportez-vous à la figure 4, page 37.

AVERTISSEMENT

Retirez toujours le bloc batterie avant d'installer, de déposer ou d'ajuster un accessoire sur cet outil, ou avant d'entreprendre une quelconque opération de maintenance sur le produit ou l'un de ses accessoires.

1. Déplacer la pince de serrage (B) vers l'avant.
2. Déplacer la fixation (A) dans la position souhaitée.
3. Relâcher la pince de serrage (B).

Pièces Détachées et Maintenance

Seul un centre de service agréé peut effectuer la réparation et la maintenance des outils.

Transmettez toutes vos communications au bureau ou au distributeur **Ingersoll Rand** le plus proche.

Spécifications du produit: Batterie

Consignes de sécurité du produit

Utilisation prévue:

Ces piles sont utilisées comme source d'alimentation pour les produits sans fil **Ingersoll Rand**.

AVERTISSEMENT

⚠ AVERTISSEMENT: Lisez attentivement tous les avertissements, instructions, illustrations et spécifications de sécurité fournis avec cet outil. Ne pas suivre les avertissements et instructions peut entraîner la survenue d'un choc électrique, d'un incendie et/ou de blessures graves.

- **Conserver la totalité des avertissements et instructions fournis pour d'éventuelles consultations ultérieures.**
- **Recyclez ou éliminez les piles en respectant l'environnement.** Ne pas perforez ou brûler les piles. Une élimination incorrecte des piles peut nuire à l'environnement ou causer des blessures.

Pour plus d'informations, consultez le formulaire 10567840 du manuel Informations de sécurité des piles.

Les manuels peuvent être téléchargés sur le site ingersollrand.com

Spécifications du Produit

Modèles	Chimie	Capacité (Ah)	Poids lb (kg)
BL2012	Lithium-ion	2.5	0.94 (0.43)
BL2022		5.0	1.60 (0.73)

Plage de température de fonctionnement

Les batteries atteignent leur maximum de rendement lorsqu'elles fonctionnent à température ambiante d'intérieur comprise entre 15°C et 25°C (59°F à 77°F). Si la batterie est trop chaude ou trop froide, elle peut avoir du mal à ou arrêter de se charger ou se décharger.

Pièces détachées et maintenance

Les étiquettes sont les seules pièces que l'utilisateur peut remplacer.

Modèles	Étiquettes d'avertissement
BL2012	BL20-99-3 et BL2012-99-AP5
BL2022	BL20-99-4 et BL2022-99-AP5

Transmettez toutes vos communications au bureau ou au distributeur **Ingersoll Rand** le plus proche.

Spécifications du produit: Chargeur de batteries

Consignes de sécurité du produit

AVERTISSEMENT

Consignes de sécurité importantes – Conserver ces instructions.

DANGER

Pour réduire les risques d'incendie ou de choc électrique, respecter les instructions suivantes.

Utilisation prévue:

TCe chargeur de piles est conçu pour recharger uniquement des piles **Ingersoll Rand**.

AVERTISSEMENT

- **Utiliser uniquement un chargeur Ingersoll Rand pour recharger les piles lithium-ion série IQ²⁰ de Ingersoll Rand.** Des risques d'incendie ou d'explosion lors du chargement de la batterie peuvent survenir si vous utilisez d'autres piles ou chargeurs. Cela peut aussi provoquer des blessures ou des dommages matériels.
- **Ce chargeur n'est pas réparable par l'utilisateur. Toute réparation doit être effectuée par un centre agréé Ingersoll Rand.** Une réparation effectuée par l'utilisateur peut provoquer un choc électrique, un incendie et/ou des blessures graves.
- **Dans un environnement résidentiel, commercial ou de l'industrie légère, il risque de provoquer des interférences radio.** Ce produit n'est pas prévu pour être installé dans un environnement résidentiel ; dans un environnement commercial et de l'industrie légère avec liaison au réseau d'alimentation public, l'utilisateur devra peut être prendre des mesures pour réduire les interférences.
- **Ce produit n'est pas prévu pour être utilisé en cours de voyage.**

Pour plus d'informations, consultez le formulaire 10567840 du manuel Informations de sécurité des piles et le formulaire 10567832 du manuel Informations de sécurité des chargeurs de piles.

Les manuels peuvent être téléchargés sur le site ingersollrand.com

Spécifications du produit

Modèles	Apport	Sortie	Batterie	
			Numéro du modèle	Type
BC1121	100-240V AC ~ 50-60 Hz, 100W, 160-215VA	12.6V DC 2.0A/21V DC 4.0A USB Type A, 5V DC, 500mA, D+/D- Connexion bornes, 200Ω	BL2012 et BL2022	Li-ion
BC1221	100-240V AC ~ 50-60 Hz, 200W, 320-395VA	12.6V DC, 2.0A (x2) 21V DC, 4.0A (x2) USB Type A, 5V DC, 500mA, D+/D- Connexion bornes, 200Ω		
BC1221-EU	220-240V AC ~ 50-60 Hz, 200W, 340VA			

Instructions pour le chargement des piles

Le chargeur devra être installé à proximité d'une prise facile d'accès.

Ne chargez pas le bloc de piles lorsque la température est inférieure à 0°C (32°F) ou supérieure à 45°C (113°F). Chargez complètement les nouveaux blocs de piles avant utilisation.

La durée de chargement est d'environ 60-90 minutes.

Débrancher le chargeur et retirer le bloc-piles lorsque l'appareil n'est pas utilisé.

Le chargeur à double baie est capable de charger indépendamment et simultanément des batteries 12 V et 20 V.

Action	État	Affichage du chargeur		Alarme (Son)	Jauge de niveau
		Vert	Rouge		
Branchez le chargeur à une prise de courant de ca.	Mise sous tension (Veille).	●	○	-	○○○○
Introduire le bloc-piles dans le chargeur.	Chargement. La jauge de niveau indiquera l'état de chargement.	●	○	-	*○○○ ▾
	Erreur de communication. Erreur de lecture/identification de pile, réintroduire la pile. La pile est peut-être défectueuse.	○	●	Bas ♪	○○○○
	Température initiale. Interruption de la charge jusqu'à ce que la température de la batterie reprenne sa valeur de sécurité.	○	2 x *	Bas ♪	○○○○
	Expiration du délai. Temps de chargement dépassé. Les piles sont peut-être défectueuses.	○	3 x *	Bas ♪	○○○○
	Température en cycle. Interruption de la charge jusqu'à ce que la température de la batterie reprenne sa valeur de sécurité.	○	4 x *	Bas ♪	○○○○
	Sur tension. Sur tension détectée. Les piles sont peut-être défectueuses.	○	5 x *	Bas ♪	○○○○
	Sur intensité. Sur intensité détectée. Les piles sont peut-être défectueuses.	○	6 x *	Bas ♪	○○○○
Retirez le bloc de piles.	Chargement terminé.	●	○	Haut ♪	●●●●
	Pack de piles retiré.	●	○	Haut ♪	---

Légende: * Clignotant ● Marche ○ Arrêt

Maintenance préventive

Débrancher le chargeur avant de le nettoyer. Nettoyer les surfaces plastiques uniquement à l'aide d'un chiffon légèrement humide. Les aérations doivent toujours être exemptes de poussière et de débris. N'utilisez pas le chargeur si le câble est endommagé. Pour obtenir un cordon ou une étiquette de remplacement, s'adresser au centre de service agréé **Ingersoll Rand** le plus proche.

Transmettez toutes vos communications au bureau ou au distributeur **Ingersoll Rand** le plus proche.

Protection de l'environnement

Après expiration de la durée de vie du produit électrique **Ingersoll Rand**, ce dernier doit être recyclé conformément à toutes les normes et réglementations en vigueur (locales, nationales, fédérales, européennes etc.). Une mise au rebut incorrecte peut nuire à l'environnement.

Identification des symboles



Retourner les déchets pour recyclage.



Ne pas mettre ce produit au rebut avec les déchets ménagers.



Li-ion

Ce produit contient du lithium-ion. Ne pas mettre ce produit au rebut avec les déchets ménagers.

Les instructions d'origine sont en anglais. Les autres langues sont une traduction des instructions d'origine.

Especificações do Produto: Retificadora de pneus sem fio

Informações de Segurança do Produto

Utilização Prevista:

Este retificador de pneus sem fios foi concebido para perfurar/desbastar furos e limar superfícies de pneus para remendos internos.



AVISO

⚠ AVISO: Leia todos os avisos de segurança, instruções, ilustrações e especificações fornecidos com esta ferramenta elétrica. O não cumprimento dos avisos e das instruções pode resultar em choques eléctricos, incêndios e/ou ferimentos graves. Conserve todos os Avisos e instruções para futura referência.

- **Elimine ou recicle as baterias de forma responsável.** Não perfure nem queime as baterias. Uma eliminação incorrecta pode prejudicar o ambiente ou causar lesões pessoais.
- **Utilize exclusivamente Ferramentas com o carregador de baterias e as baterias da Ingersoll Rand com a tensão adequada.** A utilização de outras baterias pode dar azo a riscos de incêndio, lesões ou danos materiais.

Para obter informações adicionais, consulte o Formulário do Manual de Segurança do Produto do Retificador de Pneus sem Fios TL-G4911-SIM, o Formulário do Manual de Informações de Segurança do Carregador de Bateria 10567832 e o Formulário do Manual de Informações de Segurança da Bateria 10567840.

Podem transferir manuais do seguinte endereço da Internet: ingersollrand.com

Especificações do Produto

Modelo	RPM de polimento	RPM de alargamento	Mandril de troca rápida	Máx. Ø do acessório de polimento	Máx. acessório de escareador Ø
G4911	0-3,000	0-1,000	7/16" Hexadecimal	3"	3/8"

Modelo	Tensão	Modelos de baterias	Nível de Ruído dB(A) (EN/BS EN 60745)		Vibrações (m/s ²) (EN/BS EN 60745)	
	V, CC		† Pressão (L _p)	‡ Potência (L _w)	Nível	*K
G4911	20	BL2012 e BL2022	66.1	74.1	1.7	1.5

† K_{PA} = Incerteza de medida 3dB

‡ K_{WA} = Incerteza de medida 3dB

* Incerteza de medida K (Vibrações)

Valores de som/vibração determinados de acordo com a norma EN/BS EN 60745-2-23:2023.

Em conformidade com UL STD. 62841-1.
certificado para CSA STD. C22.2 No. 62841-1.



Intertek
5026893



AVISO

Os valores de vibração e ruído foram medidos de acordo com normas de teste reconhecidas a nível internacional. A exposição relativamente ao utilizador numa aplicação de ferramenta específica pode divergir destes resultados. Por conseguinte, deve proceder-se a medições no local, a fim de determinar o nível de risco nessa aplicação específica.

Instalação de brocas de escareador/roda de calafetagem

Consulte a figura 3 na página 37.



AVISO

Remova sempre a bateria antes de instalar, remover ou ajustar qualquer acessório nesta ferramenta ou antes de realizar qualquer trabalho de manutenção na mesma ou em qualquer acessório.

1. Desloque o mandril (B) para a frente e segure-o.
2. Introduza o acessório (A) no mandril (B).
3. Solte o mandril (B).
4. Verifique se o acessório (A) está bem fixo no mandril (B).

Ajuste das brocas do escareador/roda de calafetagem

Consulte a figura 4 na página 37.



AVISO

Remova sempre a bateria antes de instalar, remover ou ajustar qualquer acessório nesta ferramenta ou antes de realizar qualquer trabalho de manutenção na mesma ou em qualquer acessório.

1. Desloque o mandril (B) para a frente.
2. Desloque o acessório (A) para a posição pretendida.
3. Solte o mandril (B).

Peças e Manutenção

A reparação e a manutenção da ferramenta só devem ser levadas a cabo por um Centro de Assistência Técnica Autorizado.

Para qualquer assunto, contacte o escritório ou o distribuidor da **Ingersoll Rand** mais próximo.

Especificações do Produto: Bateria

Informações de Segurança do Produto

Utilização Prevista:

Estas baterias são utilizadas como fonte de alimentação para os Produtos Sem Fios **Ingersoll Rand**.



AVISO

AVISO: Leia todos os avisos de segurança, instruções, ilustrações e especificações fornecidos com esta ferramenta elétrica. O não cumprimento dos avisos e das instruções.

- **Conserve todos os Avisos e instruções para futura referência.**
- **Elimine ou recicle as baterias de forma responsável.** Não perfure nem queime as baterias. Uma eliminação incorrecta pode prejudicar o ambiente ou causar lesões pessoais.

Para obter informações mais detalhadas, consulte o manual de informações de segurança da bateria, com a referência 10567840.

Pode transferir manuais do seguinte endereço da Internet: ingersollrand.com

Especificações do Produto

Modelos	Química	Capacidade (Ah)	Peso lb (kg)
BL2012	ião-Lítio	2,5	0.94 (0.43)
BL2022		5,0	1.60 (0.73)

Temperaturas de Funcionamento

Pilhas recarregáveis têm um melhor desempenho quando são operadas a uma temperatura ambiente normal de 15°C a 25°C (59°F a 77°F). Uma bateria excessivamente quente ou fria pode impedir ou interromper o carregamento da bateria ou descarregá-la.

Peças e Manutenção

As etiquetas são as únicas Peças Substituíveis pelo utilizador.

Modelos	Etiqueta de Advertência
BL2012	BL20-99-3 e BL2012-99-AP5
BL2022	BL20-99-4 e BL2022-99-AP5

Para qualquer assunto, contacte o escritório ou o distribuidor da **Ingersoll Rand** mais próximo.

Especificações do Produto: Carregador de baterias

Informações de Segurança do Produto



AVISO

Instruções de segurança importantes - Guarde estas instruções.



PERIGO

Para reduzir os riscos de incêndio ou de choque eléctrico, cumpra estas instruções com cuidado.

Utilização Prevista:

Este Carregador de Baterias foi concebido para o carregamento de baterias da **Ingersoll Rand**.



AVISO

- **Use apenas carregadores Ingersoll Rand com baterias Ingersoll Rand da Série Li-ion IQ^{V29}.** A utilização de outras baterias ou de outros carregadores pode dar azo a risco de incêndio ou pode provocar o reabamento da bateria quando está a ser carregada. Podem ocorrer lesões pessoais ou danos materiais.
- **O carregador de baterias não pode ser reparado pelo utilizador. A sua reparação só deve ser levada a cabo por um Centro de Assistência Técnica Autorizado da Ingersoll Rand.** Uma reparação efectuada pelo utilizador pode dar origem a choques eléctricos, incêndios e/ou lesões pessoais graves.
- **Num ambiente residencial, comercial ou pouco industrial poderá provocar interferências de rádio.** Este produto não se destina a ser instalado num ambiente residencial; num ambiente comercial e pouco industrial com ligação eléctrica pública, o utilizador poderá ter de tomar medidas para reduzir a interferência.
- **Este produto não está destinado para ser usado por viajantes.**

Para obter informações mais detalhadas, consulte o manual com as informações de segurança do Carregador de Baterias, com a referência 10567832 e o manual com as informações de segurança da Bateria, com a referência 10567840.

Pode transferir manuais do seguinte endereço da Internet: ingersollrand.com

Especificações do Produto

Modelos	Entrada	saída	Bateria	
			Número do Modelo	Type
BC1121	100-240V AC ~ 50-60 Hz, 100W, 160-215VA	12.6V DC 2.0A/21V DC 4.0A USB Type A, 5V DC, 500mA, D+/D- Ligado, 200Ω	BL2012 e BL2022	Li-ion
BC1221	100-240V AC ~ 50-60 Hz, 200W, 320-395VA	12.6V DC, 2.0A (x2) 21V DC, 4.0A (x2)		
BC1221-EU	220-240V AC ~ 50-60 Hz, 200W, 340VA	USB Type A, 5V DC, 500mA, D+/D- Ligado, 200Ω		

Instruções de Carregamento da Bateria

O carregador deve ser instalado próximo de uma tomada que seja facilmente acessível.

Nunca carregue o conjunto de baterias quando a temperatura for inferior a 0°C (32°F) ou superior a 45°C (113°F). Carregue completamente os conjuntos de baterias novos antes de os utilizar pela primeira vez.

A bateria demora cerca de 60-90 minutos a ficar carregada.

Desligue o carregador e retire a bateria quando não estiverem em uso.

O carregador de compartimento duplo é capaz de carregar de forma independente e simultânea baterias de 12V e 20V.

Acção	Condição	Visor do Carregador		Alarme (Som)	Indicador de Carga
		Verde	Vermelho		
Ligue o carregador a uma tomada de CA.	Ligado (em stand-by)	●	○	-	○○○○
Inserir o conjunto de bateria no carregador.	A carregar. O indicador de carga indica o estado da carga.	●	○	-	*○○○ └─
	Falha de comunicação. Identificação Bateria/Ler a Falha Reinsira a Bateria. A bateria pode estar com defeito.	○	●	Baixo ♪	○○○○
	Temperatura inicial. Carregamento interrompido até a bateria ter atingido uma temperatura segura.	○	2 x *	Baixo ♪	○○○○
	Tempo de carregamento esgotado. O tempo definido para o carregamento esgotou-se. A bateria pode estar defeituosa.	○	3 x *	Baixo ♪	○○○○
	Temperatura durante o ciclo. Carregamento interrompido até a bateria ter atingido uma temperatura segura.	○	4 x *	Baixo ♪	○○○○
	Sobretensão. Foi detectada uma tensão alta. A bateria pode estar defeituosa.	○	5 x *	Baixo ♪	○○○○
	Sobrecorrente. Foi detectada uma corrente alta. A bateria pode estar defeituosa.	○	6 x *	Baixo ♪	○○○○
	Carregamento concluído.	●	○	Elevado ♪	●●●●
Remover o conjunto de baterias.	Bateria de pilhas removida.	●	○	Elevado ♪	---

Legenda: * A piscar ● Acesso ○ Apagado

Manutenção de Rotina

Desligue o carregador antes de limpar. As superfícies plásticas devem ser limpas apenas com um pano ligeiramente húmido. Mantenha as aberturas de ventilação limpas, sem pó nem resíduos. Se o cabo de alimentação do carregador estiver danificado, o carregador não pode ser utilizado. Cabos e etiquetas de substituição estão disponíveis no Centro de Serviço da **Ingersoll Rand** autorizado, mais próximo.

Para qualquer assunto, contacte o escritório ou o distribuidor da **Ingersoll Rand** mais próximo.

Protecção do Ambiente

Quando a vida útil de um produto eléctrico da **Ingersoll Rand** chega ao fim, ele tem de ser reciclado de acordo com todas as normas e os regulamentos aplicáveis (locais, estaduais, nacionais, federais, etc.). Uma eliminação errada pode prejudicar o ambiente.

Identificação dos Símbolos



Devolver para reciclagem.



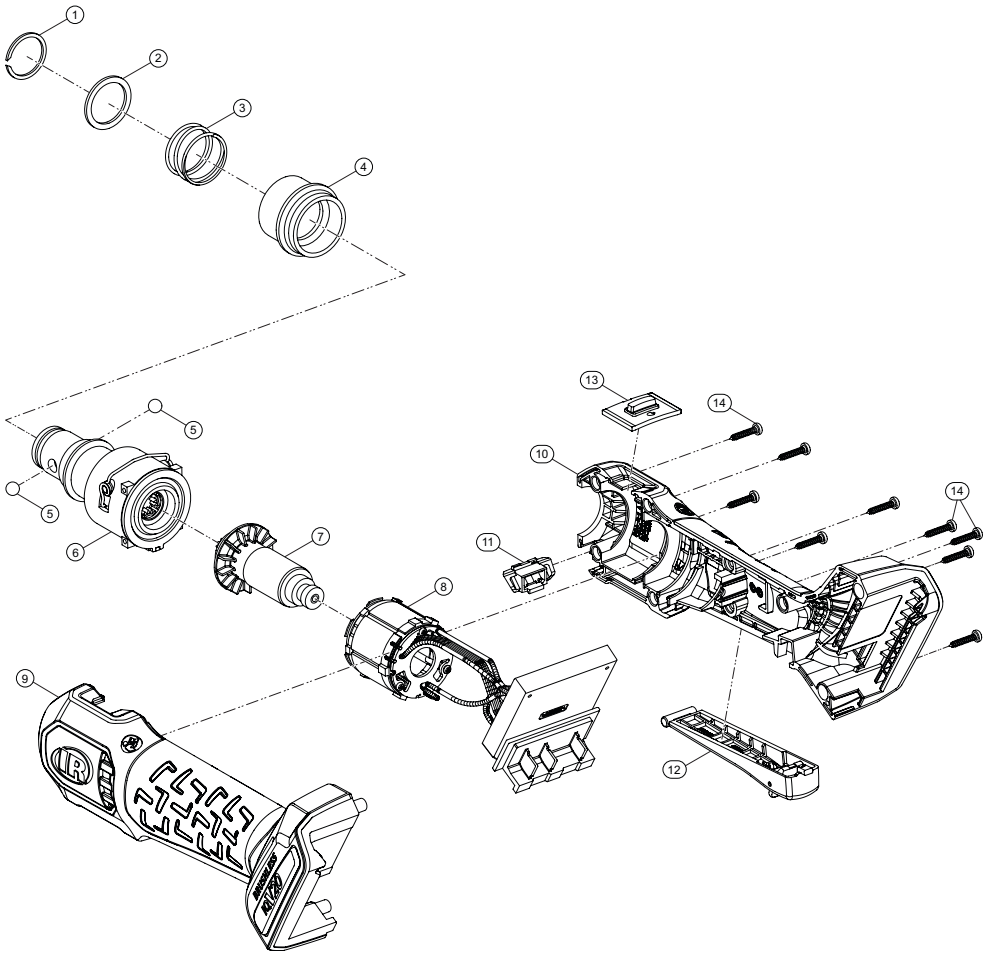
Não juntar este produto ao lixo doméstico.



Este produto contém iões de lítio.
Não juntar este produto ao lixo doméstico.

As instruções originais estão redigidas na língua inglesa. e encontram-se traduzidas noutros idiomas.

G4911, Cordless Tire Buffer - Exploded View



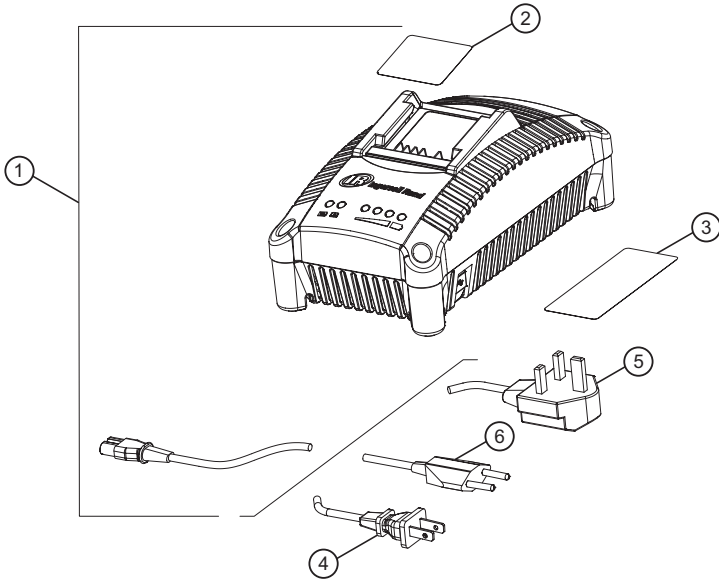
(Dwg. TL-G4911-PLM-1)

G4911, Cordless Tire Buffer - Parts List

Item	Part Description	Part Number (CCN)	Item	Part Description	Part Number (CCN)	
*	Gearbox Kit	TK-G4911-750	11	LED Lens Kit	TK-G4911-144	
1	Retaining Ring for Shaft	---	*	Trigger Kit	TK-G4911-093	
2	Flat Washer		12	Switch Trigger Assembly	---	
3	Pressure Spring		13	Speed Selector		
4	Lock Sleeve		14	Fastener Kit	TK-G4911-078	
5	Ball (2 required)		*	20V Li-ion Battery Pack		
6	Gearbox Assembly			2.5 Ah	BL2012 (47515903001)	
*	Chuck Kit	TK-G4911-255		5.0 Ah	BL2022 (47515902001)	
1	Retaining Ring for Shaft	---	Battery Charger			
2	Flat Washer		*	Battery Charger, Single Bay	BC1121 (47507879001)	
3	Pressure Spring		Battery Charger, Dual Bay			BC1221
4	Lock Sleeve		*	Protective Battery Boot		
5	Ball (2 required)			For 2.5 Ah and 2.8 Ah Batteries	BL2005-BOOT (47510965001)	
7	Motor Rotor Kit	TK-G4911-013		For 5.0 Ah and 5.6 Ah Batteries	BL2010-BOOT (47510964001)	
8	Stator-Switch and LED Kit	TK-G4911-052				
*	Housing Kit	TK-G4911-040	*	Storage/Carrying Bag	TB4 (47543666001)	
9	Left Housing	---				
10	Right Housing					
14	Screw (9 required)					

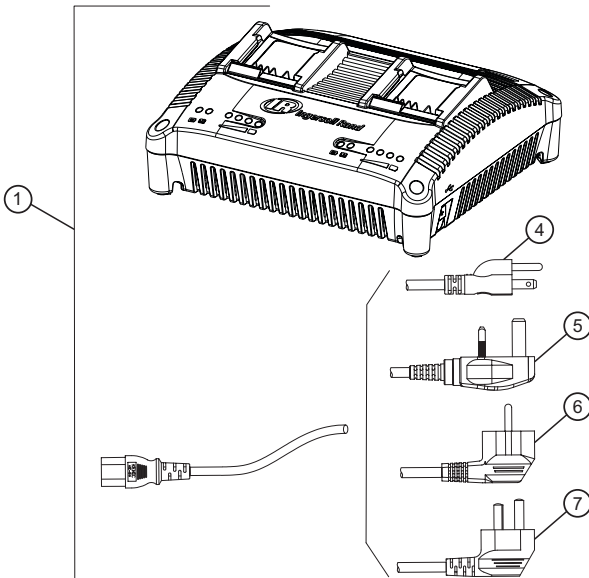
* Indicates not illustrated.

Battery Charger, BC1121 - Exploded View



(Dwg. 23792617-1)

Battery Charger, BC1221 - Exploded View



(Dwg. 23792617-2)

Battery Charger, BC1121 and BC1221 - Parts List

Item	Part Description	Part Number (CCN)	
1	Battery Charger Kit (US, Canada and Mexico)	BC1121 (47507879001)	BC1221
	Battery Charger Kit (EU and UK)	BC1121-EU (47507874001)	BC1221-EU
	Battery Charger Kit (China)	BC1121-AP1 (47507868001)	BC1221-CN
	Battery Charger Kit (India)	BC1121-AP2 (47507869001)	BC1221-IN
	Battery Charger Kit (Japan)	BC1121-AP3 (47507870001)	BC1221-JP
	Battery Charger Kit (Australia/New Zealand)	BC1121-AP4 (47507871001)	BC1221-ANZ
	Battery Charger Kit (South Korea)	BC1121-AP5 (47507872001)	BC1221-KR
	Battery Charger Kit (Singapore and Hong Kong)	BC1121-AP6 (47507873001)	BC1221-SHK
	Battery Charger Kit (Argentina)	BC1121-SA1 (47507875001)	BC1221
	Battery Charger Kit (Brazil)	BC1121-SA2 (47507876001)	
Battery Charger Kit (Chile and Peru)	BC1121-SA3 (47507877001)		
2	Label, Warning	BC1121-99 (47516307001)	*BC1121-99 (47516307001)
3	Label, Information (US, Canada and Mexico)	BC1121-300 (47516312001)	*BC1221-300
	Label, Information (EU and UK)	BC1121-300 (47516312001)	*BC1221-EU-300
	Label, Information (Japan)	BC1121-AP3-300 (47516313001)	*BC1221-JP-300
	Label, Information (Korea)	BC1121-AP5-300 (47516314001)	*BC1221-KR-300
	Label, Information (Brazil)	BC1121-SA2-300 (47516315001)	---
4	Cord (US, Canada and Mexico)	BC10-CORD-US (80233893)	BC1221-CORD-US
5	Cord (UK, Singapore and Hong Kong)	BC10-CORD-UK (80238256)	BC1221-CORD-UK
6	Cord (EU)	BC10-CORD-EU (80233919)	BC1221-CORD-EU
7	Cord (China)	*BC10-CORD-CN (45522687)	BC1221-CORD-CN
*8	Cord (India)	BC10-CORD-IN (45522505)	BC1221-CORD-IN
*9	Cord (Japan)	BC10-CORD-JP (45521952)	BC1221-CORD-JP
*10	Cord (Australia/New Zealand)	BC10-CORD-ANZ (45522547)	BC1221-CORD-ANZ
*11	Cord (South Korea)	BC1120-CORD-SK (24080871)	BC1221-CORD-KR
*12	Cord (Argentina)	BC10-CORD-AG (45522703)	---
*13	Cord (Brazil)	BC1120-CORD-BR (24248924)	---

* Indicates not illustrated.

Parts and Maintenance

When tool life has expired, it is recommended that the tool be disassembled, degreased and parts separated by material for proper recycling.

Tool repair and maintenance should only be carried out by an Authorized Service Center.

Refer all communications to the nearest **Ingersoll Rand** office or distributor.

Notes:

Notes:

