



Cordless Screwdriver and Nutrunner

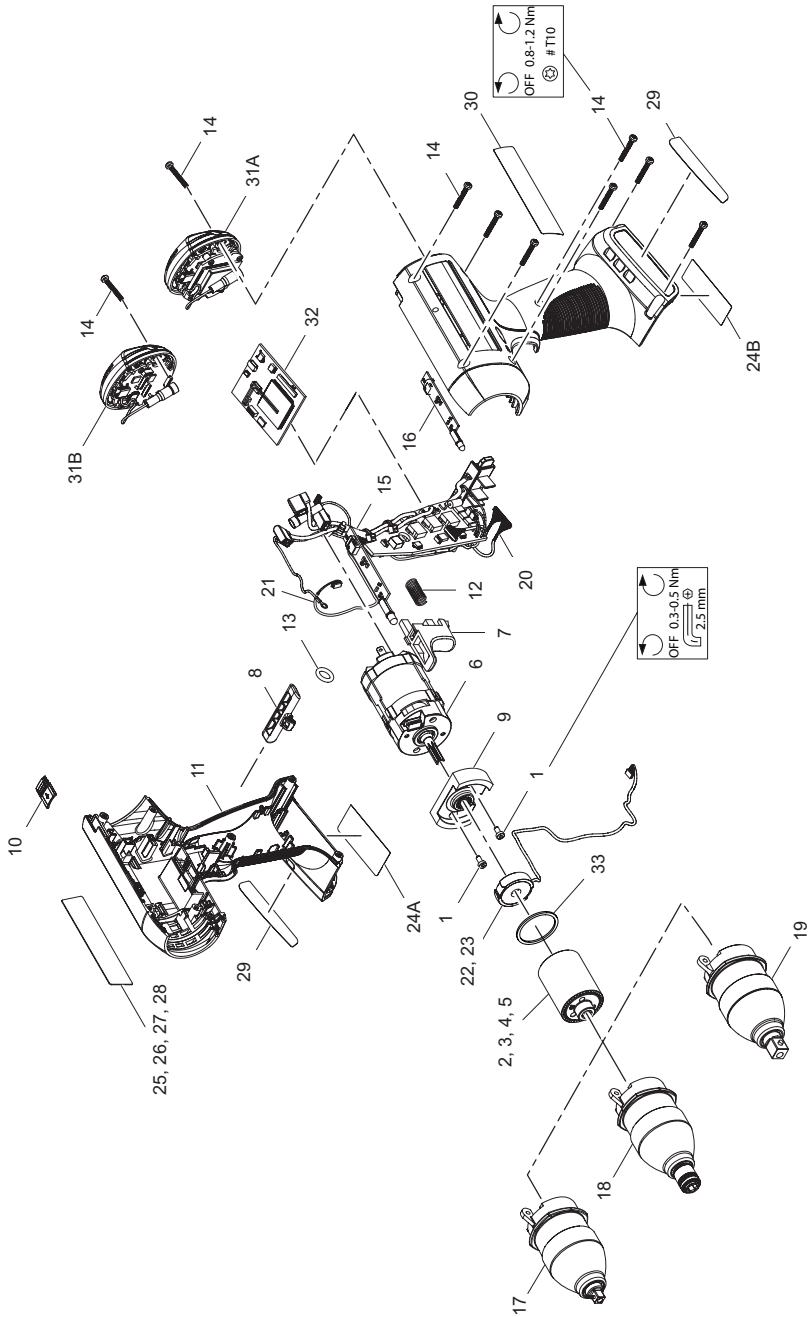
QX Series

Parts Information



Save These Instructions

QX{ }2P Housing Assembly - Exploded View

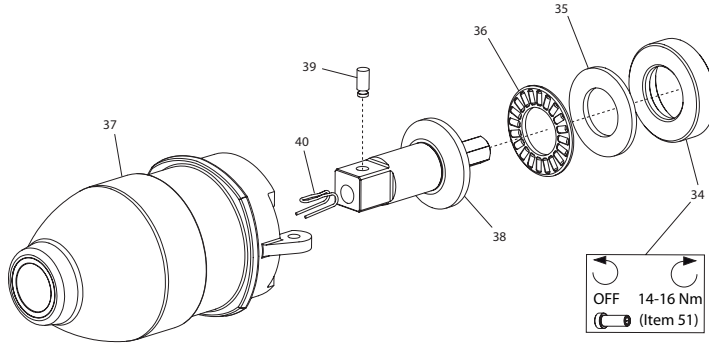


QX{ }2P Housing Assembly - Parts List

Item	Part Description	Part Number (CCN)
1	Screw (M3 X 0.5), (Quantity 2)	CPS2-667-735 (45589140)
2	Gear Pack Assembly QX{ }2PT04{ } Series	VP1-M37-13P18 (47109202)
3	Gear Pack Assembly QX{ }2PT08{ } Series	VP1-M37-17P1 (45599743)
4	Gear Pack Assembly QX{ }2PT12{ } Series	VP1-M37-26P6 (45599735)
5	Gear Pack Assembly QX{ }2PT18{ } Series	VP1-M37-39P7 (45599693)
6	Motor Assembly	VP1-A54 (45626249)
7	Trigger Assembly	VP1-A93 (47087507)
8	Switch, F/R Assembly	VP1-A75 (47087663)
9	Motor Mount	VP1-108-NTL (48382998)
10	USB Cover	VP1-441 (48392104)
11	Handle Assembly (Both Halves)	VP1-A59 (48394266)
12	Spring	VP1-726 (47088356)
13	O-Ring, PCB	VP1-282 (47104211)
14	Screw (Quantity 9)	VP1-105 (47111778)
15	PCB, Handle	84737-A499-3 (47100839)
16	PCB, Trigger and FR	84737-A499-5 (47101332)
17	Square Gear Case Assembly 1/4"	VP1-A8-S4 (47103312)
18	Quick Change Gear Case Assembly	VP1-A8-Q4 (47103320)
19	Square Gear Case Assembly 3/8"	VP1-A8-S6 (47104179)
20	Internal Interface Cable	84737-CABLE-1 (47106117)
21	Motor Hall Cable	84737-CABLE-2 (47106299)
22	Transducer Assembly QX{ }2PT04{ }, QX{ }2PT08{ }, QX{ }2PT12{ }	VP1-A756 (47107073)
23	Transducer Assembly QX{ }2PT18{ }	VP1-A756-18 (47515463001)
24A	Information Label	VP1-486 (47111737)
24B	Certification Label	VP1-486-2 (48412431)
25	Warning Label, 4 Nm	VP1-99-4 (47125752)
26	Warning Label, 8 Nm	VP1-99-8(47125745)
27	Warning Label, 12 Nm	VP1-99-12 (47105408)
28	Warning Label, 18 Nm	VP1-99-18 (47517861001)
29	Identification Label, Sheet (6 pairs of colored labels)	VP1-300 (47105416)
30	Name Plate Label	VP1-301 (47105424)
31A	Display Assembly (Wireless)	VP1-A888W (47116918)
*	Keypad	VP1-70-C (47528097)
*	OLED Display	VP1-888 (47103569)
31B	Display Assembly (Non-Wireless)	VP1-A888 (47086384)
*	Keypad	VP1-70-C (47528097)
*	OLED Display	VP1-888 (47103569)
32	PCB, Foot	84737-A499-1 (47088547)
33	Washer	VP1-247 (47537576001)

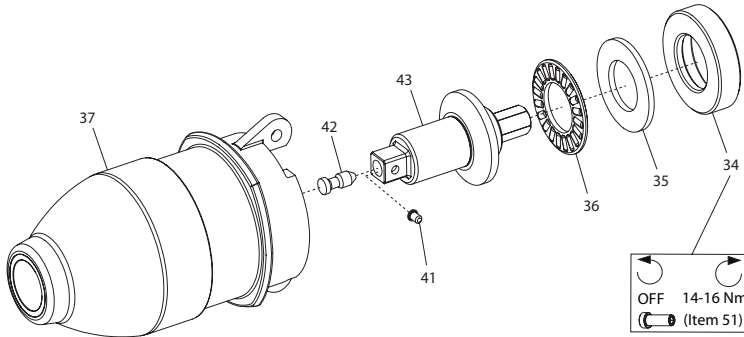
* Indicates Not illustrated

VP1-A8-S6 3/8" Square Gear Case Assembly QX{ }2PT{ } S6 Series



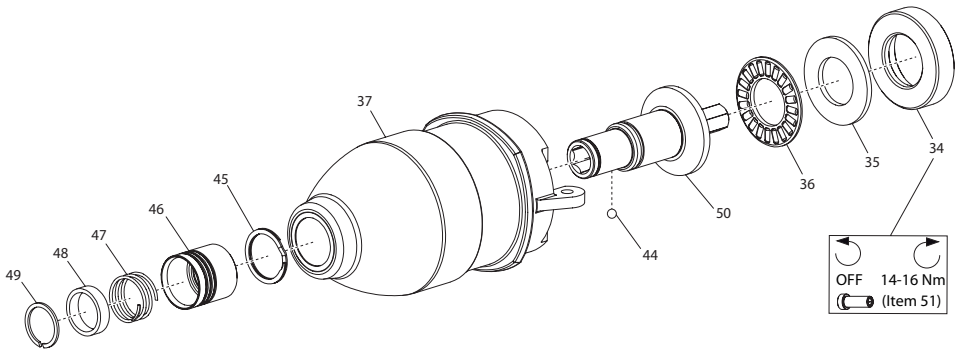
Item	Part Description	Part Number (CCN)
34	Nut	VP1-305 (47112230)
35	Thrust Washer	DAA6A-107 (04694006)
36	Thrust Bearing	R1610-105 (03119559)
37	Gear Housing Assembly	VP1-A40 (47103882)
38	Spindle, Square 3/8"	VP1-8-S6 (47104187)
39	Retainer	5020-716 (03046679)
40	Spring	401-718 (03060993)

VP1-A8-S4 1/4" Square Gear Case Assembly QX{ }2PT{ } S4 Series



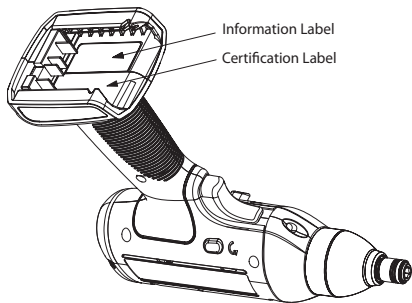
Item	Part Description	Part Number (CCN)
34	Nut	VP1-305 (47112230)
35	Thrust Washer	DAA6A-107 (04694006)
36	Thrust Bearing	R1610-105 (03119559)
37	Gear Housing Assembly	VP1-A40 (47103882)
41	Pin	47028 (04130266)
42	Insert (Rubber)	46749 (04124632)
43	Spindle, 1/4" Square	VP1-8-S4 (47102447)

VP1-A8-Q4 Quick Change Gear Case Assembly QX{ }2PT{ } Q4 Series



Item	Part Description	Part Number (CCN)
34	Nut	VP1-305 (47112230)
35	Thrust Washer	DAA6A-107 (04694006)
36	Thrust Bearing	R1610-105 (03119559)
37	Gear Housing Assembly	VP1-A40 (47103882)
44	Ball	R000B-263 (03095031)
45	Multi Turn Snap Ring	182A13-CXR5N50 (95994521)
46	Collar, Quick Change	CPS2-930 (45551827)
47	Spring	TRH-931 (04681615)
48	Spacer, Quick Change	CPS2-244 (45555125)
49	Retaining Ring	VP1-118 (47512717)
50	Spindle, Quick Connect	VP1-8-Q4 (47103346)

QX{ }2P Tool Assembly



Part Description	Part Number (CCN)
Information Label	VP1- 486 (47111737)
Certification Label	VP1-486-2 (48412431)

Suggested Tools

Tool Used	Part Description	Where Used?
Torque Screwdriver	2 Nm capacity	Housing and Motor Mount screws
T10 Torx Bit	---	Housing screws
Allen Wrench	2 mm	Motor Mount screws
Nylon Pick	---	O-Rings, Wires, etc.
Torque Wrench	3/8" Square Drive, 20 Nm capacity	Gear Case Housing Nut
Bearing Nut Tool	IR Part # VP1-00003 (47128921)	Gear Case Housing Nut

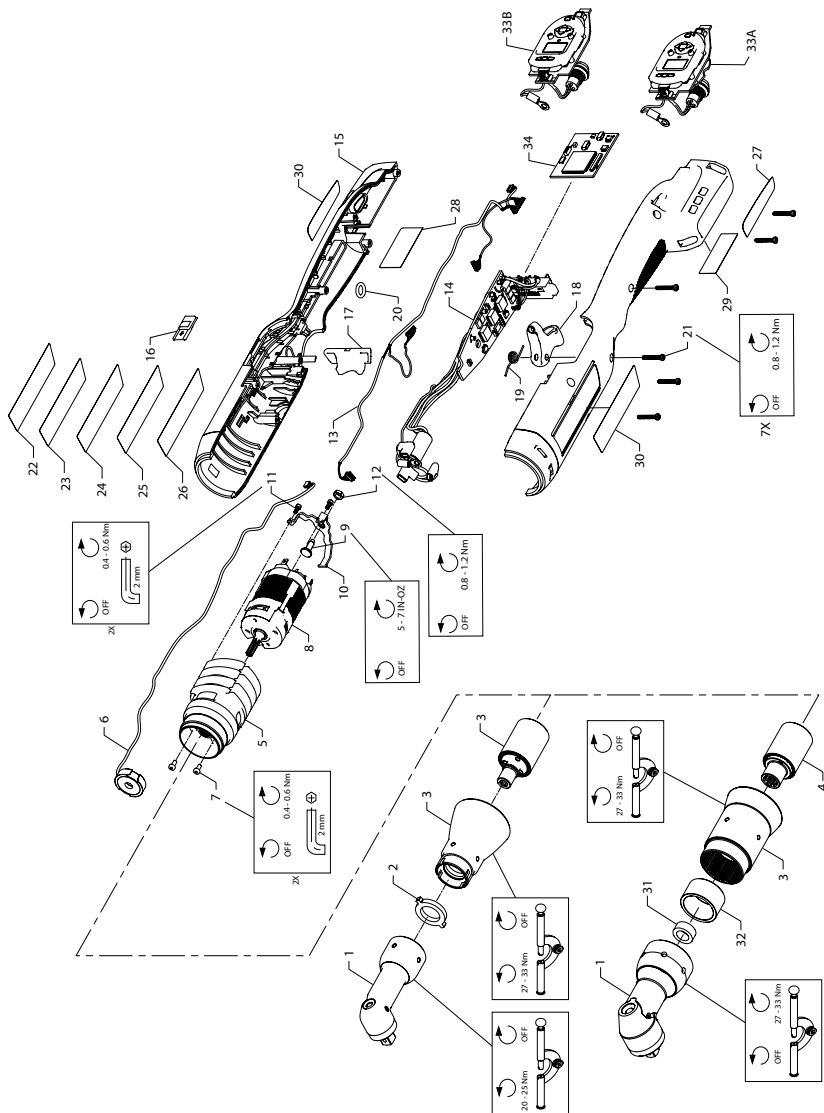
QX{ }2P Packaging - Parts List

Part Description	Part Number
Corrugated Box	B0X-VP1
Foam	F0AM-VP1

QX{ }2P Grease

Part Description	Grease P/N (CCN)
IR #69 - Grease	VP1-1LB (48413157)

QX{ }2A Housing Assembly - Exploded View



QX{ }2A Housing Assembly - Parts List

Table 1

Item	Part Description	Part Number (CCN)	Item	Part Description	Part Number (CCN)
1	Angle Head Assembly	See Table 2	21	Screw (Quantity 7)	VP1-105 (47111778)
2	Lock Spacer	See Table 2	22	Warning Label, 27 Nm	VA1-99-27 (47517862001)
3	Gear Case Assembly	See Table 2	23	Warning Label, 18 Nm	VA1-99-18 (24435448)
4	Gear Pack Assembly	See Table 2	24	Warning Label, 15 Nm	VA1-99-15 (24470072)
5	Motor Mount Assembly	VA1-A40Y (47510751001)	25	Warning Label, 10 Nm	VA1-99-10 (24435430)
6	Transducer Assembly	See Table 2	26	Warning Label, 5 Nm	VA1-99-5 (24435422)
7	Screw (M3 X .5), (Quantity 2)	CPS2-667-735 (45589140)	27	Identification Label, Sheet (6 pairs of colored labels)	VP1-300 (47105416)
8	Motor Assembly	VP1-A54 (45626249)	28	Information Label	VP1-486 (47111737)
9	Screw, Grub	VA1-78 (47507397001)	29	Certification Label	VA1-486 (47525703001)
10	Support, Motor Back	VA1-A28 (47504028001)	30	Name Plate Label	VA1-301 (24435414)
11	Screw, Soc Hd Cap (M2.5 X 6), (Quantity 2)	47514446001 (47514446001)	31	Spacer	See Table 2
12	Nut	19M4JS7M3 (45638756)	32	Spacer	See Table 2
13	Internal Interface Cable	VA1-505 (24471336)	33A	Display Assembly (Wireless)	VA1-A888W (24272775)
14	PCB, Handle	VA1-A499-3 (24276545)	*	Keypad	VP1-70-C (47528097)
15	Handle Assembly (Both Halves)	VA1-A59 (47507311001)	*	OLED Display	VP1-888 (47103569)
16	USB Cover	VA1-441 (24361370)	33B	Display Assembly (Non-Wireless)	VA1-A888 (24274672)
17	Button, Forward/Reverse	VA1-75 (24482051)	*	Keypad	VP1-70-C (47528097)
18	Trigger Assembly	VA1-A93 (24260093)	*	OLED Display	VP1-888 (47103569)
19	Spring	VA1-726 (24362386)	34	PCB, Foot	84737-A499-1 (47088547)
20	O-Ring, PCB	VP1-282 (47104211)			

* Indicates Not Illustrated

QX{ }2A Attachment Components - Exploded View

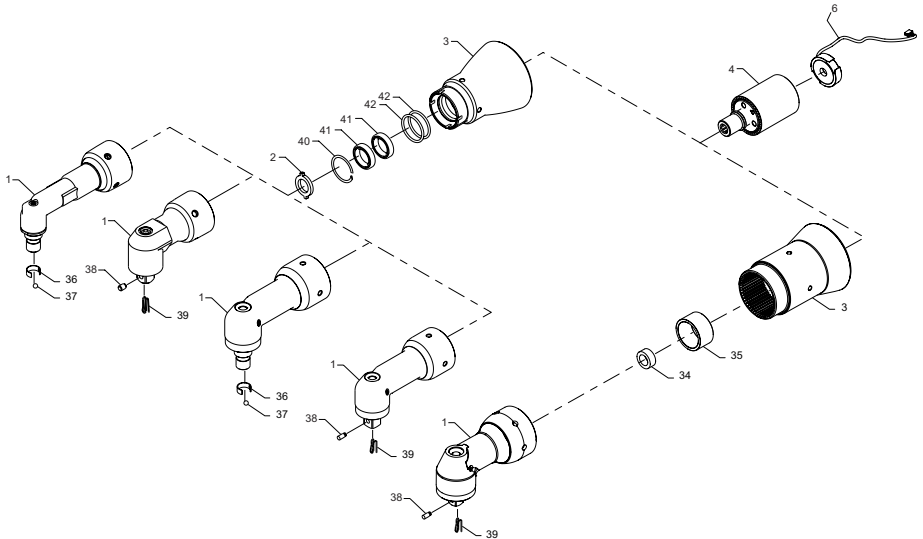
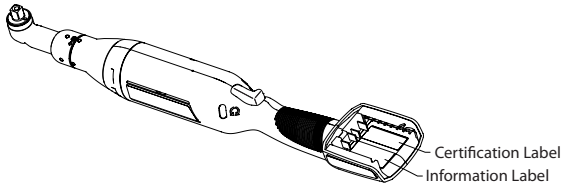


Table 2

Item	Part Description	Part Number (CCN)					
		QX{ }27P56	QX{ }18PQ4	QX{ }18P56	QX{ }15P56	QX{ }10P56	QX{ }05PQ4
1	Angle Head Assembly	GAA456K (47524190001)	CPS3Q4 (45601457)	CPS3S6 (45601432)	QAS-25-A550 (47152582)	QAS-25-A550 (47152582)	QAS-18-A550-SQ4 (48617062)
36	Bit Retaining Spring	--	102A60-241 (03464849)	--	--	--	TRH-241 (4682241)
37	Bit Retaining Ball	--	AV1-255 (03010899)	--	--	--	R000B-263 (03095031)
38	Socket Retaining Pin	5020-716 (03046679)	--	5020-716 (03046679)	131617 (5343676)	131617 (5343676)	--
39	Socket Retaining Spring	401-718 (03060993)	--	401-718 (03060993)	124491 (04360939)	124491 (04360939)	--
2	Lock Spacer	--	CPS3-682 (45592193)	CPS3-682 (45592193)	QAS-682 (47151170)	QAS-682 (47151170)	QAS-682 (47151170)
3	Gear Case Assembly	VA1-180-AL (47516176001)	VA1-A37-CP (24509523)	VA1-A37-CP (24509523)	VA1-A37-RS (24627010)	VA1-A37-RS (24627010)	VA1-A37-RS (24627010)
40	Retaining Ring	--	184A13CXUR81 (96955059)	184A13CXUR81 (96955059)	184A13CXUR81 (96955059)	184A13CXUR81 (96955059)	184A13CXUR81 (96955059)
41	Bearing, Spindle (Quantity 2)	--	CPS2-22 (45552809)	CPS2-22 (45552809)	CPS2-22 (45552809)	CPS2-22 (45552809)	CPS2-22 (45552809)
42	O-Ring (Quantity 2)	--	20A11CMC018 (96955042)	20A11CMC018 (96955042)	20A11CMC018 (96955042)	20A11CMC018 (96955042)	20A11CMC018 (96955042)
4	Gear Pack Assembly	VA1-M37-39P7 (47515611001)	VA1-M37-26P6 (24504888)	VA1-M37-26P6 (24504888)	VA1-M37-26P6 (24504888)	VA1-M37-17P1 (24504870)	VA1-M37-13P18 (24504862)
6	Transducer Assembly	VA1-A756-27 (47515475001)	VA1-A756 (24358798)	VA1-A756 (24358798)	VA1-A756 (24358798)	VA1-A756 (24358798)	VA1-A756 (24358798)
34	Spacer	GEA40-591 (80119605)	--	--	--	--	--
35	Spacer	VA1-80 (47515640001)	--	--	--	--	--

QX{ }2A Tool Assembly



Part Description	Part Number (CCN)
Information Label	VP1- 486 (47111737)
Certification Label	VA1- 486 (47525703001)

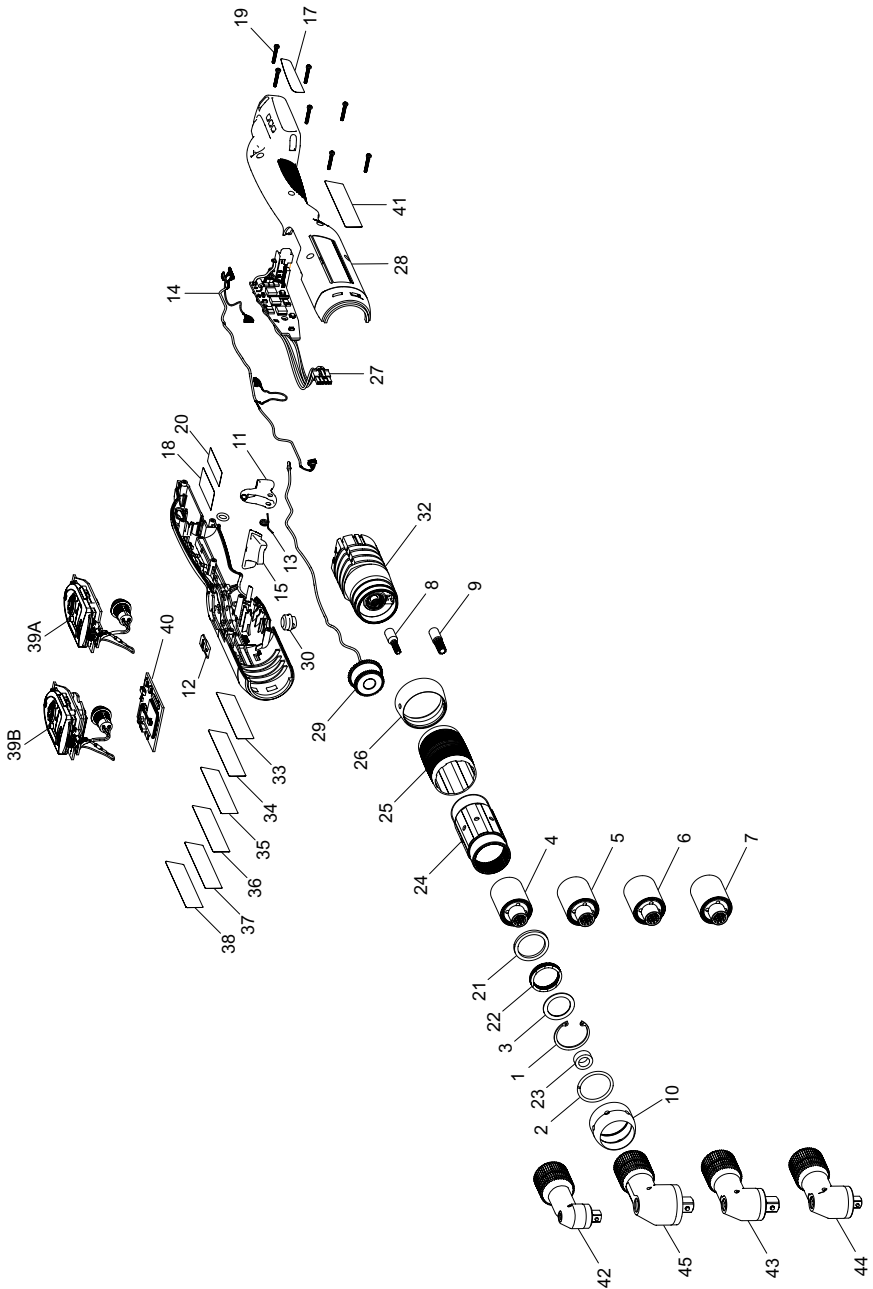
QX{ }2A Packaging - Parts List

Part Description	Part Number (CCN)
Corrugated Box	BOX-VA1 (47518252001)
Foam	FOAM-VA1 (47518253001)

QX{ }2A Grease

Part Description	Grease P/N (CCN)
IR #69 - Grease, 1 lb	VP1-1LB (48413157)
IR #67 - Grease, 4 oz	67-4T (04637336)
IR #67 - Grease, 1 lb	67-1LB (-)
IR #67 - Grease, 8 lb	67-8LB (-)
Grease Tube Head (For QX Angle Tools. Use with 4 oz Grease Tube)	GTH-1 (04616124)

QX{ }5A Housing Assembly - Exploded View



(Dwg. 47517880)

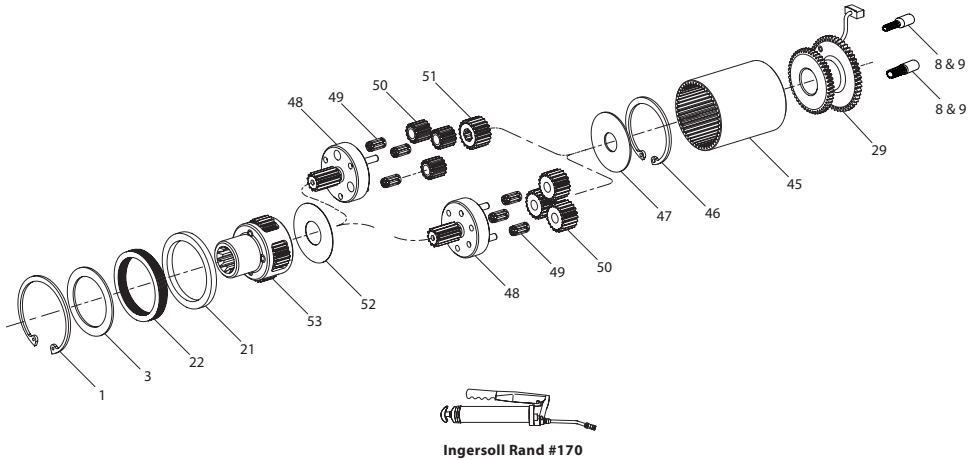
47532146001_ed5

QX{ }5A Housing Assembly - Parts List

Item	Part Description	Part Number (CCN)	Item	Part Description	Part Number (CCN)
1	Retaining Ring	W64-118 (03084266)	34	Warning Label, 30 Nm	VA2-99-30 (47523179001)
2	Coupling Nut Retainer	DAA4-29 (04341368)	35	Warning Label, 35 Nm	VA2-99-35 (47523180001)
3	WSHR-Gear Retainer	DEM40-81 (04569752)	36	Warning Label, 40 Nm	VA2-99-40 (47523181001)
4	Gear Pack Assembly	GEA40-40-M37 (22036503)	37	Warning Label, 60 Nm	VA2-99-60 (47523182001)
5	Gear Pack Assembly	GEA40-28-M37 (22038160)	38	Warning Label, 80 Nm	VA2-99-80 (47540007001)
6	Gear Pack Assembly	GEA40-22-M37 (22038178)	39A	Display Assembly (Wireless)	VA2-A888W (47523341001)
7	Gear Pack Assembly	GEA40-17-M37 (2 2038186)	*	Keypad	VP1-70-C (47528097)
10	Coupling Nut	GEA40-27 (22041180)	*	OLED Display	VP1-888 (47103569)
11	Trigger Assy	VA1-A93 (24260093)	39B	Display Assembly (Non-Wireless)	VA2-A888 (47523343001)
12	USB Cover	VA1-441 (24361370)	*	Keypad	VP1-70-C (47528097)
13	Spring, Torsional	VA1-726 (24362386)	*	OLED Display	VP1-888 (47103569)
14	Internal Interface Cable	VA1-505 (24471336)	40	QX5 DSP Board	VA2-A499-1 (4752284401)
15	Button, Forward/Reverse	VA1-75 (24482051)	41	Label, Nameplate	VA2-301 (47525370001)
16	O-Ring, PCB	VP1-282 (47104211)	42	Angle Head Assembly	GAA256-H (47527606001)
17	Identification Label, Sheet	VP1-300 (47105416)	43	Angle Head Assembly	GAA458-H (47527607001)
18	Label, Info	VP1-486 (47111737)	44	Angle Head Assembly	GAA456-H (47527608001)
19	Screw (Quantity 7)	VP1-105 (47111778)	45	Angle Head Assembly	GAA558-H (47527609001)
20	Label, Certification	VA2-486-2 (47532450)	*46	K7 Motor Assembly For Models { }20PS06, { }30PS06, { }30PS08, { }60PS08, { }80PS08	VA2-K53-7 (47539541001)
21	Seal , Grease	GEA40-248 (80106958)	8	Pinion	---
22	Spring, Wave (1.375 O.D)	GEA40-250 (80106982)	24	Gear Case	---
23	Spacer	GEA40-591 (80119605)	32	Motor Assembly	---
25	Sleeve, Gear Case	VA2-145 (47511179001)	*47	K11 Motor Assembly For Models { }35PS06, { }35PS08, { }40PS08	VA2-K53-11 (47539540001)
26	Cover, Motor Mount	VA2- 427 (47511904001)			
27	QX5 Angle Power Board Assy.	VA2-A499-3 (47518046001)			
28	Handle Assembly (Both Halves)	VA2-A59 (47518205001)	9	Pinion	---
29	Transducer Assembly	VA2-A756 (47518495001)	24	Gear Case	---
30	Plug, F/R Blank	VA1-556 (47522589001)	32	Motor Assembly	---
33	Warning Label, 20 Nm	VA2-99-20 (47523178001)			

* Indicates Not Illustrated

QX{ }5A Transducer Assembly and Gearing Components - Exploded View

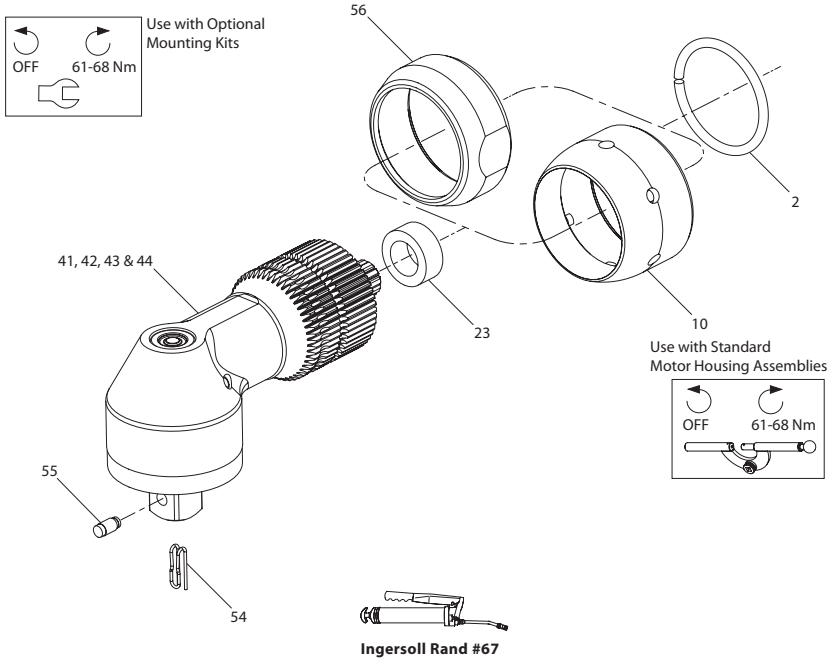


QX{ }5A Transducer Assembly and Gearing Components - Parts List

Item	Part Description	Part Number (CCN)			
		QX{ }60PS08 & QX{ }80PS08	QX{ }40PS08, QX{ }35PS08, & QX{ }35PS06	QX{ }30PS08 & QX{ }30PS06	QX{ }20PS06
8 & 9	Pinion	---	---	---	---
29	Transducer Assembly	VA2-A756 (47518495001)	VA2-A756 (47518495001)	VA2-A756 (47518495001)	VA2-A756 (47518495001)
4, 5, 6 & 7	Gear Pack Assembly	GEA40-40-M37 (22036503)	GEA40-28-M37 (22038160)	GEA40-22-M37 (22038178)	GEA40-17-M37 (22038186)
45	Ring Gear	GEA40-406 (22038079)	GEA40-406 (22038079)	GEA40-406 (22038079)	GEA40-406 (22038079)
46	Retaining Ring	4E-118 (03079738)	4E-118 (03079738)	4E-118 (03079738)	4E-118 (03079738)
47	Spacer, Rear	GEA40-81 (22036495)	GEA40-81 (22036495)	GEA40-81 (22036495)	GEA40-81 (22036495)
48	Gearhead Assembly (1st Stage)	GEA40-A216-20 (22038004)	GEA40-A216-19 (80096126)	GEA40-A216-17 (80096142)	GEA40-A216-14 (80096050)
*	Gearhead	---	---	---	---
*	Planet Pin	---	---	---	---
49	Needle Bearing (1st)	6WTM-500 (03800299)	DAA40-500 (04008108)	6WTM-500 (03800299)	6WTM-500 (03800299)
50	Planet Gear (1st)	4RLN-10 (03822962)	DEA31-10 (04282158)	4RLN-10 (03822988)	GEA40-10-14 (80098064)
51	Sun Gear (1st)	---	---	DAA25-17 (04008140)	GEA40-17-21 (22039317)
52	Spacer	GEA40-80 (22041883)	GEA40-80 (22041883)	GEA40-80 (22041883)	GEA40-80 (22041883)
53	Spindle Assembly (2nd Stage)	GEA40-A8-18 (22038145)	GEA40-A8-18 (22038145)	GEA40-A8-18 (22038145)	GEA40-A8-18 (22038145)
*	Spindle	---	---	---	---
*	Planet Pin	---	---	---	---
*	Planet Gear (2nd)	---	---	---	---
*	Planet Bearing (2nd)	---	---	---	---
21	Grease Seal	GEA40-248 (80106958)	GEA40-248 (80106958)	GEA40-248 (80106958)	GEA40-248 (80106958)
22	Wave Spring	GEA40-250 (80106982)	GEA40-250 (80106982)	GEA40-250 (80106982)	GEA40-250 (80106982)
3	Retainer Washer	DEM40-81 (04569752)	DEM40-81 (04569752)	DEM40-81 (04569752)	DEM40-81 (04569752)
1	Retaining Ring	W64-118 (03084266)	W64-118 (03084266)	W64-118 (03084266)	W64-118 (03084266)

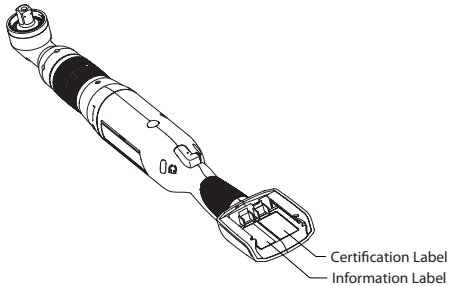
* Item included as part of subassembly.

QX{ }5A Angle Assembly Attachment - Exploded View



QX{ }5A Angle Head Assembly - Parts List

Item	Part Description	Part Number (CCN)			
		QX{ }80PS08, QX{ }60PS08 & QX{ }40PS08	QX{ }35PS08 & QX{ }30PS08	QX{ }35PS06 & QX{ }30PS06	QX{ }20PS06
41, 42, 43 & 44	Angle Assembly Attachment	GAA5S8-H (47527609001)	GAA4S8-H (47527607001)	GAA4S6-H (47527608001)	GAA2S6-H (47527606001)
54	Socket, Retaining Spring	SUHD-718 (03072766)	SUHD-718 (03072766)	401-718 (03060993)	401-718 (03060993)
55	Socket, Retaining Pin	804-716 (03064201)	804-716 (03064201)	5020-716 (03046679)	5020-716 (03046679)
23	Spacer	GEA40-591 (80119605)	GEA40-591 (80119605)	GEA40-591 (80119605)	GEA40-591 (80119605)
10	Coupling Nut, Long (with holes)	GAA40-27 (22041180)	GAA40-27 (22041180)	GAA40-27 (22041180)	GAA40-27 (22041180)
56	Coupling Nut, Short (with flats)	DAA4-27 (04341285)	DAA4-27 (04341285)	DAA4-27 (04341285)	DAA4-27 (04341285)
2	Retainer	DAA4-29 (04341368)	DAA4-29 (04341368)	DAA4-29 (04341368)	DAA4-29 (04341368)

QX{ }5A Tool Assembly

Part Description	Part Number (CCN)
Information Label	VP1-486 (47111737)
Certification Label	VA2-486-2 (47532450)

QX{ }5A Suggested Tools

Tool Used	Part Description	Where Used?
Spanner Wrench	IR Part #GEA40-478 (80114440)	Coupling Nut
Torque Wrench	1/2" Sq. Drive, 50 ft-lb capacity	General use
Adjustable Wrench	---	Coupling Nut (with flats)
Internal Snap Ring Pliers	---	General use
Pick	---	O-Rings, Wires, etc.
T10 Torx Bit	---	Housing Screws

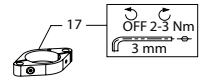
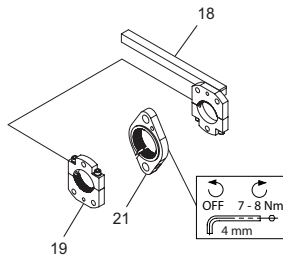
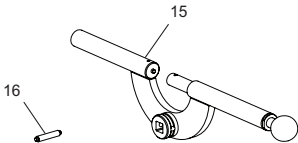
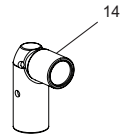
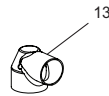
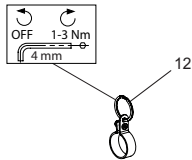
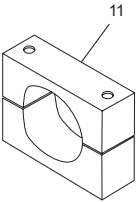
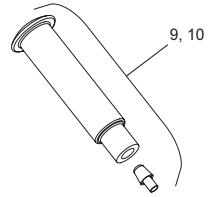
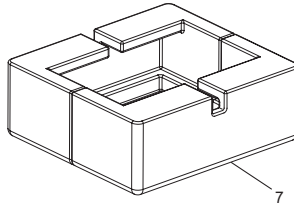
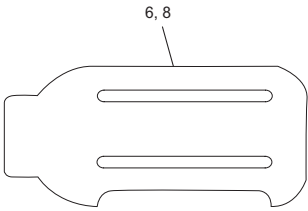
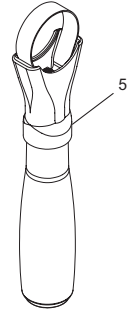
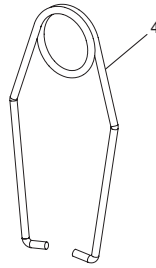
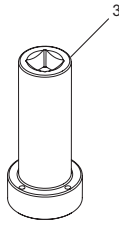
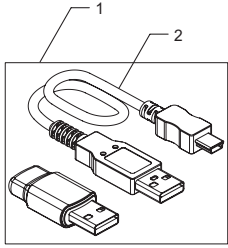
QX{ }5A Packaging - Parts List

Part Description	Part Number (CCN)
Corrugated Box	BOX-VA1 (47518252001)
Foam	FOAM-VA1 (47518253001)

QX{ }5A Greases

Part Description	Grease P/N
IR #67 Grease, 4 oz	67-4T
IR #67 Grease, 1 lb	67-1 LB
IR #67 Grease, 8 lb	67 8 LB
Grease Tube Head (For QX{ }5A Angle Tools. Use with 4 oz Grease Tube.)	GTH-1
IR #170 Grease, 1 lb	170-1LB
IR #170 Grease, 8 lb	170-8LB

QX Accessories (Optional)



QX Accessories (Optional) - Parts List

Item	Part Description	Part Number (CCN)
1	Communication Kit (USB Cable & ICS Software)	84737-COMM-KIT (48414460)
2	USB Cable	84737-CABLE-USB (48412613)
*3	Bearing Nut Tool	VP1-00003 (47128921)
*4	Suspension Bail	VP1-365 (48382147)
*5	Auxiliary Handle	VP1-A48 (47107263)
*6	Boot	VP1-BOOT (48411292)
*7	Gear Case Holding Fixture (use with Bearing Nut Tool, VP1-00003)	VP1-00004 (47497470 or 48419832)
**8	Tool Boot with Covered Display (Red)	VP1-BOOT-NP (47498430)
	Tool Boot with Covered Display (White)	VP1-WT-BOOT (47557360001)
*9	Retaining Ring Tool (for VP1-118)	VP1-00001 (47126982)
*10	Retaining Ring Tool (for 182A13-CXRSN50)	VP1-00002 (47128889)
**11	Holder	VA1-239 (47526047)
**12	Tool Hanger Assembly	
	for Models {}05P{}, {}10P{}, {}15P{}, {}18P{}	CPS2-A365 (45592979)
	for Models {}20P{}, {}27P{}, {}30P{}, {}35P{}, {}40P{}, {}60P{}, {}80P{}	GEA40-A365 (45567849)
**13	Angle Head Sleeve	
	for Models {}18P{}, {}20P{}	GEA40-170 (80095847)
	for Models {}27P{}, {}30P{}, {}35P{}	GEA40-171 (80095888)
	for Models {}40P{}, {}60P{}, {}80P{}	GEA40-172 (80095409)
**14	Extended Boot	
+	for Model {}05P{}	VA1-R18-170 (47526045)
+	for Models {}10P{}, {}15P{}	VA1-R25-170 (47526046)
	for Models {}18P{}, {}20P{}	GAA2-170 (80199557)
	for Models {}27P{}, {}30P{}, {}35P{}	GAA4-170 (80199052)
	for Models {}40P{}, {}60P{}, {}80P{}	GAA5-170 (80199656)
**15	Spanner Wrench	
	for Tool Series {}2A{}	CPS2-478 (45611563)
	for Tool Series {}5A{}	GEA40-478 (80114440)
**16	Dowel Pin	
	for Spanner Wrench CPS2-478	CPS2-478L (45611639)
	for Spanner Wrench GEA40-478	GEA40-478S (80114689)
*17	Clamp Fixture (for Models {}05P{}, {}10P{}, {}15P{}, {}18P{})	CPS2-K48 (45626546)
**18^	Reaction Bar Assembly	DEA120-K48 (04642369)
**19^	Mounting Plate Assembly	DAM120-K48 (04340535)
**21^	Mounting Plate Assembly (Flanged)	GEM120-K48 (80112790)
No Image	Socket Tray Retaining Pin & Spring (for 3/8" and 1/2" square drives)	KIT-PFS (45567997)
No Image	Socket Tray Retaining Pin & Spring (for 3/8" square drive only, Quantity: 5 of each)	GEA15-38KIT-5 (45612033)
No Image	Socket Tray Retaining Pin & Spring (for 1/2" square drive only, Quantity: 5 of each)	GEA40-38KIT-5 (45612041)

* QX Pistol Tool Series {}2P{ } accessory only.

** QX Angle Tool Series {}2A{ } and {}5A{ } accessories only.

^ For QX {}5A{ } Series and QX {}27P{ } Models using coupling nut DAA4-27.

* For these models, extended boot may be trimmed to fit standard angle heads.

Additional colors available upon request. Refer all communication to the nearest **Ingersoll Rand** office or distributor.

Parts and Maintenance

When tool life has expired, it is recommended that the tool be disassembled, degreased and parts separated by material for proper recycling.

Tool repair and maintenance should only be carried out by an authorized Service Center.

Refer all communications to the nearest **Ingersoll Rand** office or distributor.

Related Documentation

Manuals can be downloaded from ingersollrandproducts.com

For additional information, refer to:

Product Safety Information Manual 47114541.

Product Information Manual 47104286.

Maintenance Information Manual 47518353001.

Notes:

ingersollrandproducts.com

© 2016 *Ingersoll Rand*

