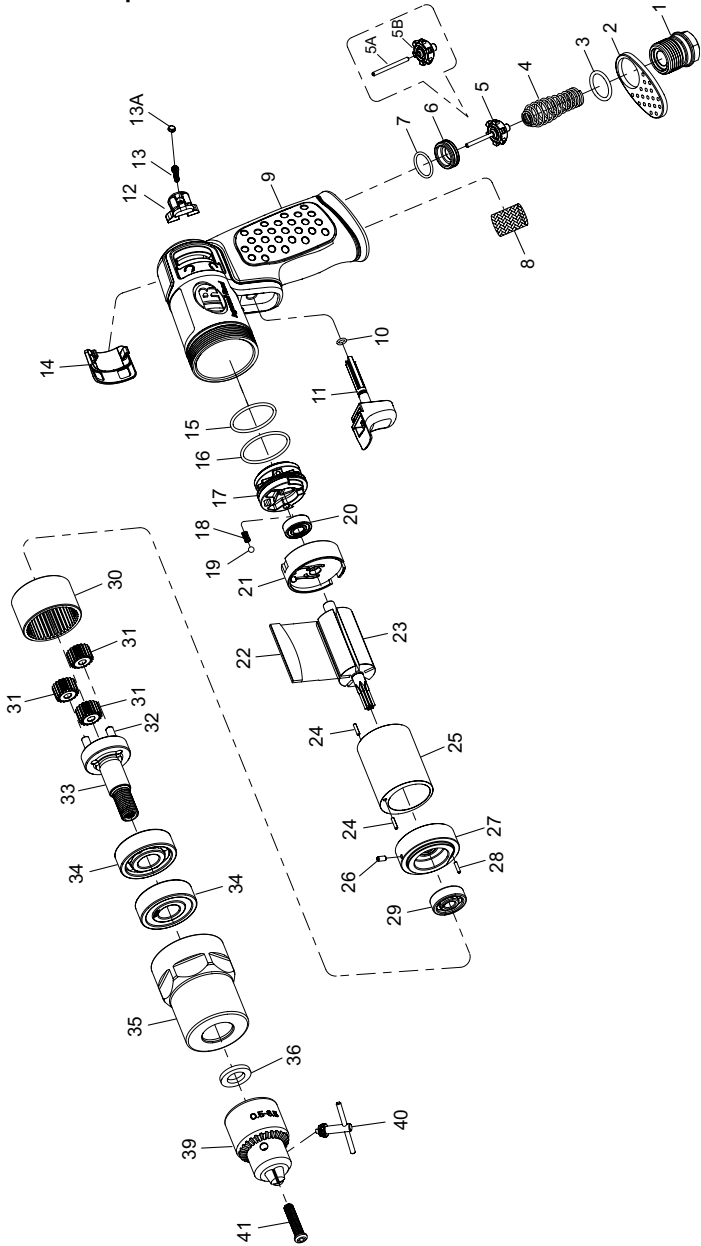


7804XPA Mini 1/4" Drill Exploded View



(Dwg. 47520793001)



7804XPA Mini 1/4" Drill Parts List

Item	Part Description	Part Number	(CCN)	Item	Part Description	Part Number	(CCN)
1	Air Inlet with Screen	2101XPA-A465	(47520794001)	17	Reverse Valve	2101XPA-329	(47520811001)
2	Exhaust Deflector	2101XPA-23	(47520795001)	18	Spring	2101XPA-250	(47520812001)
3	O-Ring	2101XPA-65	(47520796001)	19	Steel Ball	2101XPA-722	(47520813001)
4	Spring	2101XPA-51	(47520797001)	20	Ball Bearing	7804XPA-105	(47520853001)
5	Throttle Valve Assembly	2101XPA-A302	(47520798001)	21	Rear End Plate	2101XPA-12	(47520815001)
5A	Throttle Valve Pin	--	--	22	Rotor Blade (5)	2101XPA-42-5	(47520816001)
5B	Throttle Valve	--	--	23	Rotor	7804XPA-53	(47520817001)
6	Throttle Valve Seat	2101XPA-303	(47520799001)	24	Spring Pin (2)	2101XPA-120-2	(47520818001)
7	O-Ring	2101XPA-65A	(47520800001)	25	Cylinder	2101XPA-3	(47520819001)
8	Muffler Element	2101XPA-674	(47520801001)	27	Front End Plate	7804XPA-11	(47520855001)
9	Motor Housing Assembly for 7804XPA	7804XPA-A40	(47520787001)	26	Spring Pin	2101XPA-15	(47520820001)
	Motor Housing	2101XPA-40	(47520802001)	28	Pin	7804XPA-15	(47520856001)
	Model Label	7804XPA-301	(47512914001)	29	Ball Bearing	7804XPA-97	(47520857001)
	Warning Label	7804XPA-99	(47512917001)	30	Ring Gear	7804XPA-9	(47520858001)
10	O-Ring	2101XPA-65B	(47520803001)	31	Planet Gear (3)	7804XPA-9A-3	(47520859001)
11	Trigger	2101XPA-93	(47520804001)	32	Pin (3)	7804XPA-120-3	(47520860001)
12	Reverse Knob	2101XPA-329A	(47520805001)	33	Work Spindle	7804XPA-8	(47520861001)
13	Screw	2101XPA-638	(47520806001)	34	Ball Bearing (2)	7804XPA-97-2	(47520862001)
13A	Plug	2101XPA-34	(47520807001)	35	Clutch Housing	7804XPA-338	(47520863001)
14	Reverse Plate	2101XPA-851	(47520808001)	36	Washer	7804XPA-80	(47520864001)
15	O-Ring	2101XPA-65C	(47520809001)	39	1/4" Chuck Assembly	7804XPA-A255	(47520865001)
16	O-Ring	2101XPA-65D	(47520810001)	40	Chuck Key	7804XPA-A256	(47520788001)
				41	Screw	7804XPA-667	(47520867001)

Parts and Maintenance

When tool life has expired, it is recommended that the tool be disassembled, degreased and parts separated by material for proper recycling. Tool repair and maintenance should only be carried out by an authorized Service Center.

Refer all communications to the nearest **Ingersoll Rand** office or distributor.

Related Documentation

Manuals can be downloaded from ingersollrandproducts.com

For additional information, refer to:

Product Safety Information Manual 04580353.

Product Information Manual 47520897001.

