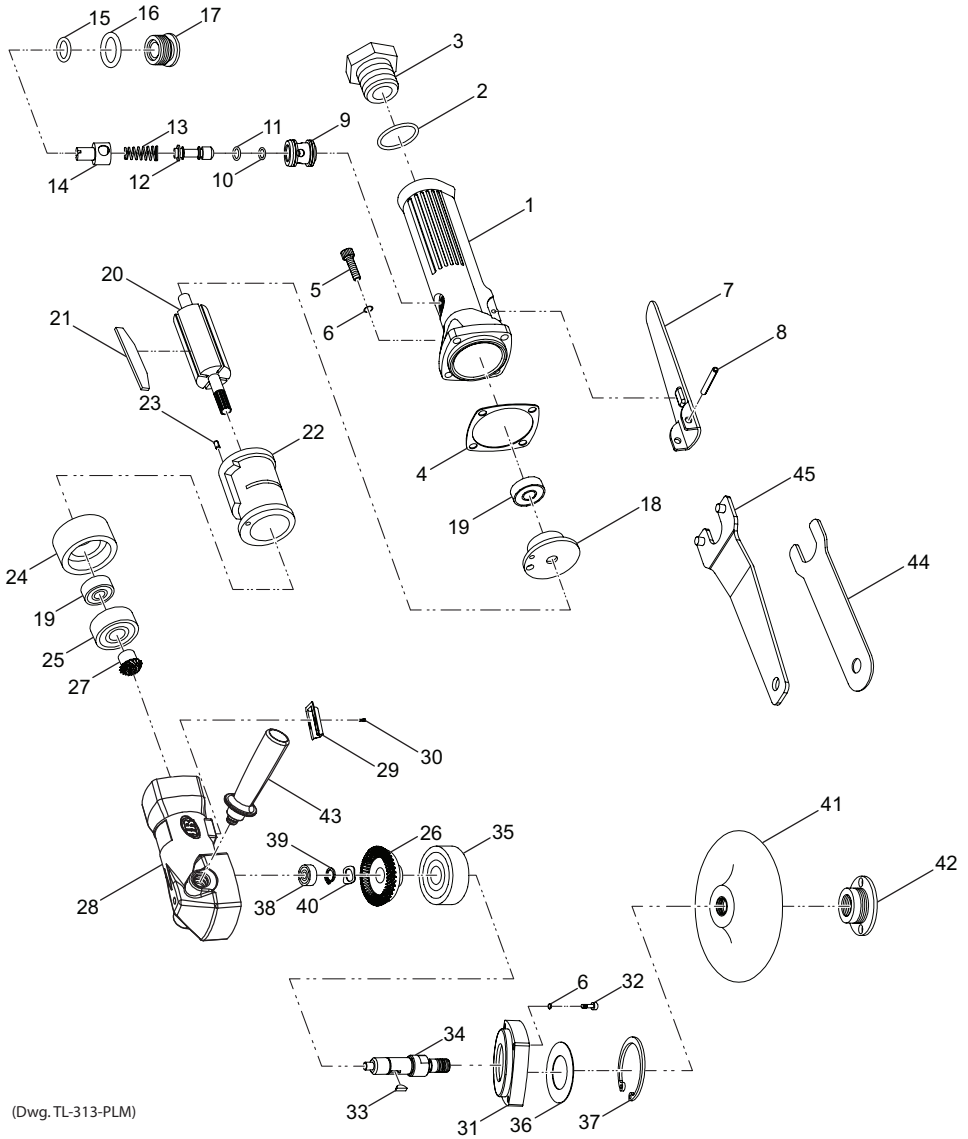


313-B and 314-B, Angle Sander and Angle Polisher - Exploded View



(Dwg. TL-313-PLM)

313-B and 314-B, Angle Sander and Angle Polisher - Parts List

Item	Part Description	Part Number	Item	Part Description	Part Number
	Throttle Handle Assembly	313-B-A160		Gear Assembly	
1	Throttle Handle	---		for 313-B	313-B-A552
2	O-Ring	313-B-282		for 314-B	314-B-A552
3	Inlet Bushing	313-B-565	26	Pinion Gear	---
	Gasket Kit	313-B-A283	27	Pinion	---
4	Throttle Gasket	---		Angle Housing Assembly	
5	Cap Screw (4 required)	---		for 313-B	313-B-A550
6	Lock Washer (4 required)	---		for 314-B	314-B-A550
	Lever Assembly	313-B-A273	28	Angle Housing	313-40
7	Throttle Lever	---		Warning Label	WARNING-45-99
8	Throttle Lever Pin	---		Exhaust Assembly	313-B-A123
	Throttle Assembly	313-B-A302	29	Exhaust Deflector	---
9	Throttle Valve	---	30	Deflector Retaining Screw (2 required)	---
10	O-Ring	---		Bearing Housing Assembly	313-B-A555
11	O-Ring	---	31	Bearing Housing	---
12	Throttle Valve Stem	---	32	Cap Screw (4 required)	---
13	Throttle Valve Spring	---	6	Lock Washer (4 required)	---
14	Speed Regulator	---		Arbor Assembly	313-B-A591
15	Regulator Seal	---	33	Arbor Key	---
16	Valve Cap Seal	---	34	Arbor	---
17	Throttle Valve Cap	---	35	Arbor Lower Bearing	---
	Rear End Plate Assembly	313-B-A12	36	Spacer	---
18	Rear End Plate	---	37	Bearing Retaining Ring	---
19	Rotor Bearing	---	38	Rotor Bearing	---
	Rotor Assembly	313-B-A53	39	Gear Retaining Ring	---
20	Rotor	---	40	Spring Washer	---
21	Vane Pack (set of 4)	313-B-42-4		Pad	313-B-825-7
	Cylinder Assembly	313-B-A3	41	Pad	---
22	Cylinder	---		Pad Warning Label	WARNING-1-PAD
23	Cylinder Alignment Pin	---	42	Pad Nut	313-B-226
	Front End Plate Assembly	313-B-A11	43	Dead handle	313-B-48
24	Front End Plate	---		Wrench Kit	313-B-69
19	Rotor Bearing	---	44	Arbor Wrench	---
25	Pinion Bearing	---	45	Disc Wrench	---

Parts and Maintenance

When tool life has expired, it is recommended that the tool be disassembled, degreased and parts separated by material for proper recycling.

Tool repair and maintenance should only be carried out by an authorized Service Center.

Refer all communications to the nearest **Ingersoll Rand** office or distributor.

Related Documentation

Manuals can be downloaded from ingersollrand.com

For additional information, refer to:

Product Safety Information Manual 04580387

Product Information Manual TL-313-PIM

Declaration of Conformity TL-313-DOC