



Air Grinders

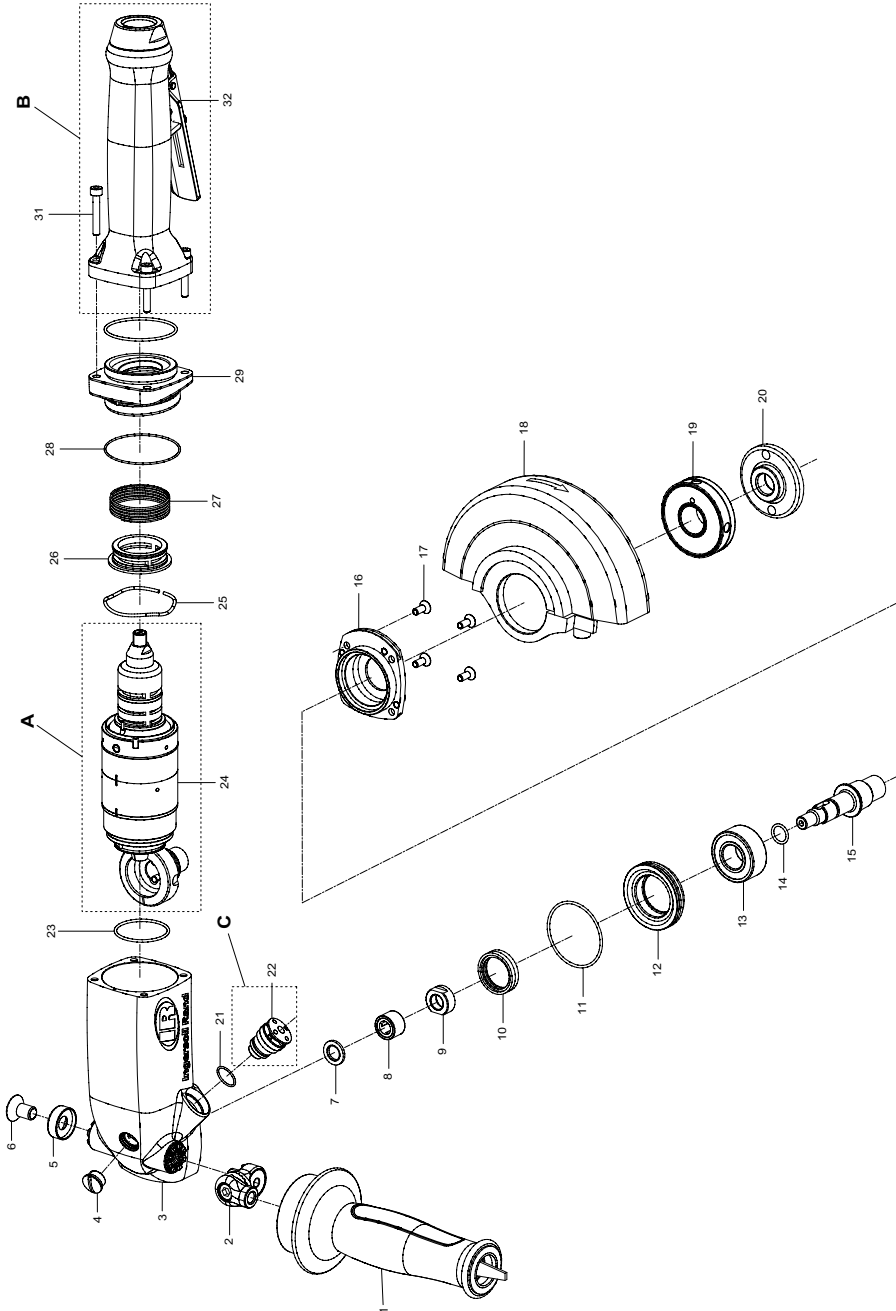
VT26 and VT45 Series

Parts Information



Save These Instructions

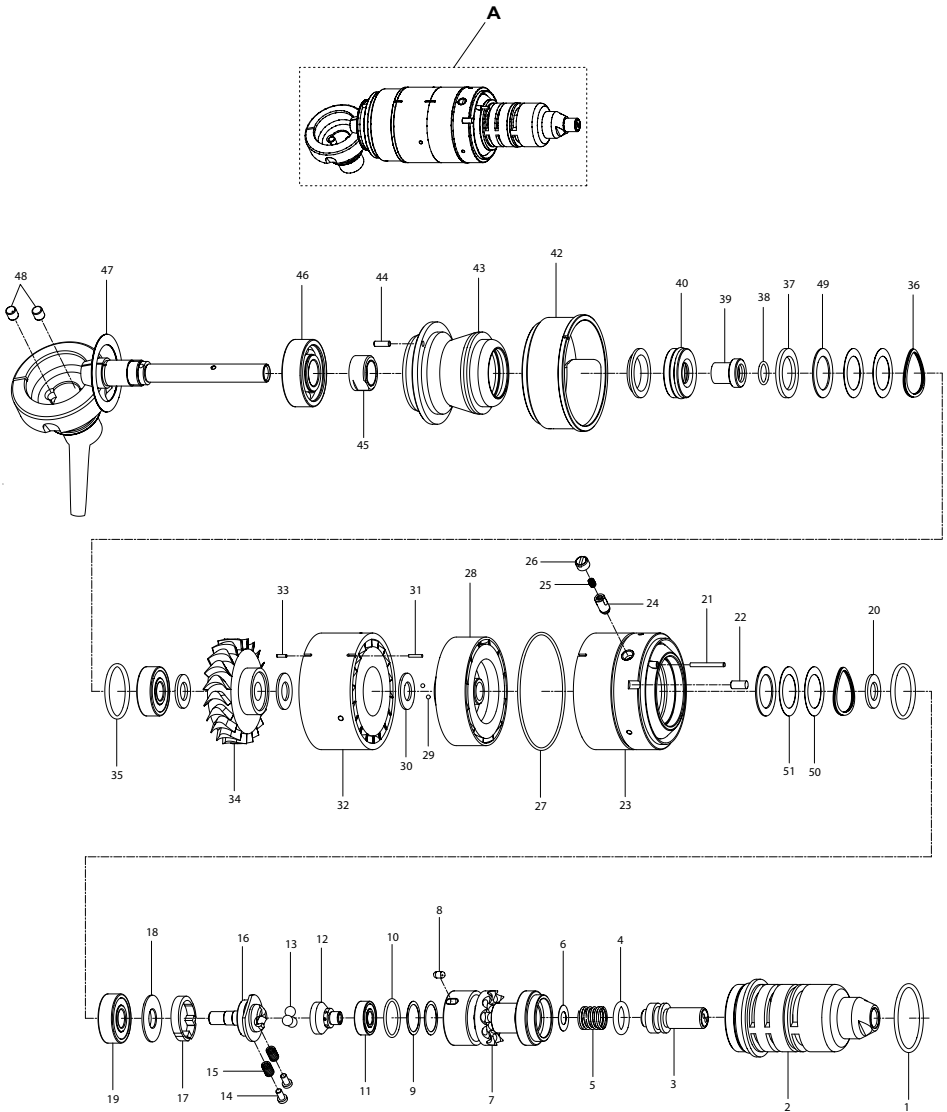
VT26A()SP() Series Air Grinder - Exploded View



VT26A()SP() Series Air Grinder - Parts List

Item	Part Description	Part Number	
		VT26A085SP98	VT26A120SP955
1	Handle	47591657001	
3	Angle Head Housing	47592721001	47591656001
4	Angle Head Housing Screw	47591655001	
	Handle Adjuster Kit	47591645001	
2	Handle	--	
5	Ring	--	
6	Countersunk Screw	--	
	Spindle Rebuild Kit	47592723001	47591646001
7	Disc	--	
8	Needle Bearing	--	
9	Threaded Fitting	--	
10	Seal Ring (2 required for model VT26A120SP955)	--	
11	O-Ring	--	
12	Ring	--	
13	Angular Rotary Joint	--	
14	O-Ring	--	
15	Spindle	47592722001	47591658001
16	Flange	47592724001	47591651001
	Replacement Screw Kit	47592725001	47591650001
17	Countersunk Screw (4)	--	
31	Cylinder Head Screw (4)	--	
18	Guard	47592726001	47591649001
19	Auto Balancing Unit	47592727001	47591648001
20	Tension Nut	47591647001	
	Locking Device Kit	47591654001	
21	O-Ring	--	
22	Locking Device	--	
24	Air Motor MX	47591146001	
26	Ring	47591652001	
	Housing Seal Kit	47591653001	
11	O-Ring	--	
21	O-Ring	--	
23	O-Ring 30x1.5 Viton	--	
25	Split Washer	--	
27	Pressure Spring	--	
28	O-Ring	--	
29	Intermediate Piece	47592302001	
32	Valve	47591608001	

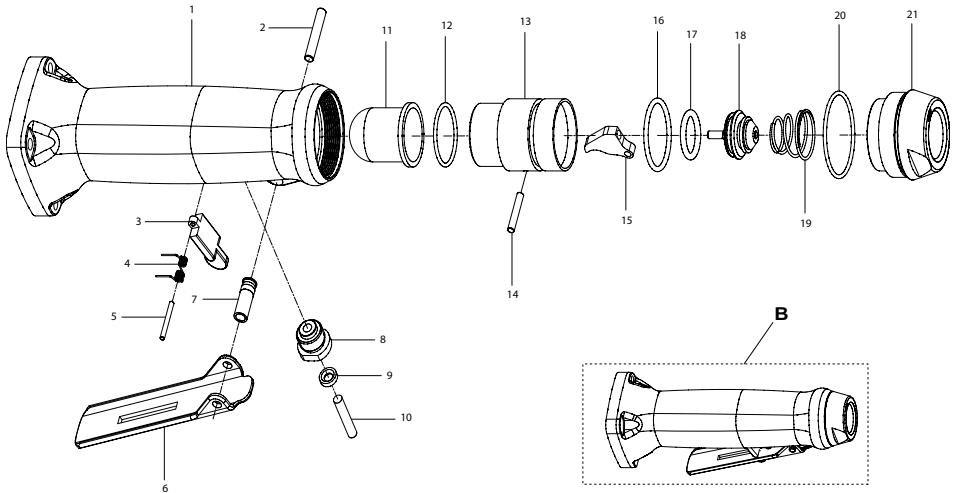
VT26A()SP() Series Air Grinder Motor Kit - Exploded View



VT26A()SP() Series Air Grinder Motor Kit - Parts List

Item	Part Description	Part Number		Item	Part Description	Part Number	
		VT26A085SP98	VT26A120SP955			VT26A085SP98	VT26A120SP955
	Ring Kit	47591190001			Pin Stop Kit	47591175001	
1	O-Ring	--		24	Stop Pin	--	
2	Ring	--		25	Pressure Spring	--	
	Piston Rebuild Kit	47591189001		26	Screw	--	
4	O-Ring	--			Small Parts Spare Parts	47591174001	
3	Adjustment Screw	--		8	Gear Pin	--	
5	Pressure Spring	--		13	Ball (3)	--	
6	Washer	--		14	Bolt (2)	--	
8	Gear Pin	--		15	Pressure Spring (2)	--	
7	Piston	47591188001		22	Cylinder Pin	--	
9	Disc (2)	47591187001		21	Needle	--	
	Sleeve	47591186001		29	Ball (2)	--	
11	Grooved Rotary Joint	--		31	Gear Pin	--	
13	Ball (3)	--		33	Cylinder Pin	--	
12	Sleeve	--		49	Washer (2)	--	
	Regulator Star Kit	47591185001		44	Gear Pin	--	
13	Ball (3)	--			Washer Spare Parts	47591173001	
14	Bolt (2)	--		18	Ring	--	
15	Pressure Spring (2)	--		51	Washer (2)	--	
16	Regulator Star	--		20	Washer (2)	--	
17	Hook	47591184001		50	Washer (2)	--	
	Jet	47591183001		49	Washer (2)	--	
27	O-Ring	--		19	Grooved Rotary Joint	47591172001	
21	Needle	--			Seal Ring Kit	47591171001	
22	Cylinder Pin	--		40	Seal Ring	--	
23	Jet	--		39	Sleeve	--	
	Rotor	47591182001		11	Grooved Rotary Joint	47591170001	
30	Plate Spring (2)	--		46	Grooved Rotary Joint	47591169001	
29	Ball (2)	--			Motor Spare Parts	47591168001	
28	Rotor	--					
	Guide Wheel Kit	47591181001		1	O-Ring	--	
30	Plate Spring (2)	--		4	O-Ring	--	
31	Gear Pin	--		10	O-Ring	--	
33	Cylinder Pin	--		27	O-Ring	--	
32	Guide Wheel	--		35	O-Ring (2)	--	
34	Rotor	47591180001		37	Support Disc	--	
36	Washer (6)	47591179001		38	O-Ring	--	
42	Ring	47591178001		48	Cylinder Roll	47591167001	
43	Gear Cover	47591177001		47	Bevel Gear Kit	47591166001	47591165001
45	Shaft Nut	47591176001					

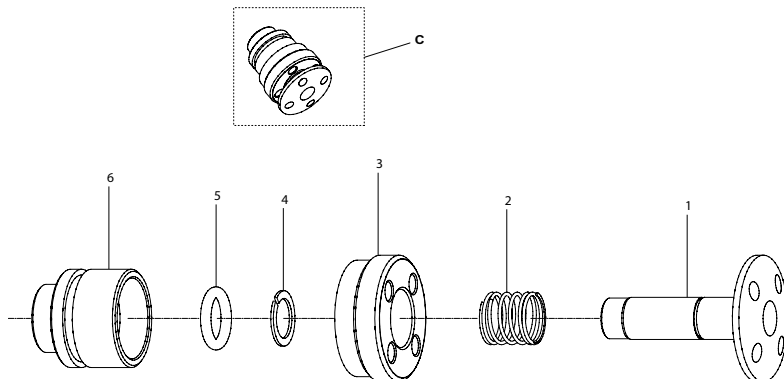
VT26A()SP() Series Air Grinder Valve Kit - Exploded View



VT26A()SP() Series Air Grinder Valve Kit - Parts List

Item	Part Description	Part Number	
		VT26A085SP98	VT26A120SP955
1	Valve Housing	47592734001	
3	Lever	47592733001	
	Lever Rebuild Kit	47591668001	
2	Gear Pin	--	
4	Spring	--	
5	Gear Pin	--	
6	Lever	--	
7	Sleeve	--	
	Plunger Rebuild Kit	47591670001	
8	Threaded Fitting	--	
9	Seal Ring	--	
10	Gear Pin	--	
	Valve Seal Rebuild Kit	47591661001	
9	Seal Ring	--	
12	O-Ring	--	
16	O-Ring	--	
17	O-Ring	--	
20	O-Ring	--	
19	Pressure Spring	--	
11	Screen	47591666001	
13	Valve Ring	47591663001	
14	Gear Pin	47592732001	
15	Lever	47592731001	
18	Valve Pin	47592730001	
21	Threaded Fitting	47592729001	

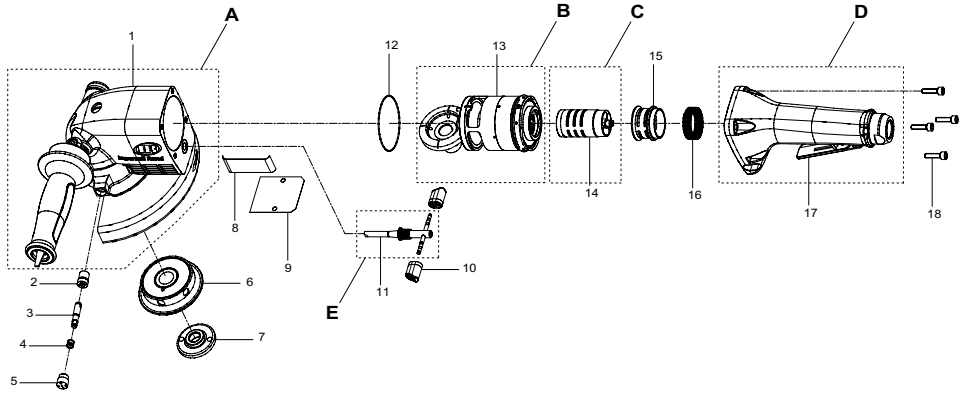
VT26A()SP() Series Air Grinder Lock Kit - Exploded View



VT26A()SP() Series Air Grinder Lock Kit - Parts List

Item	Part Description	Part Number	
		VT26A085SP98	VT26A120SP955
	Locking Device	47592720001	
1	Locking Pin	--	
2	Pressure Spring	--	
3	Threaded Fitting	--	
4	Circlip	--	
5	O-Ring	--	
6	Sleeve	--	
	Locking Device Rebuild Kit	47592728001	
2	Pressure Spring	--	
4	Circlip	--	
5	O-Ring	--	

VT45A()SP() Series Air Grinder - Exploded View



(Dwg. 47591147001)

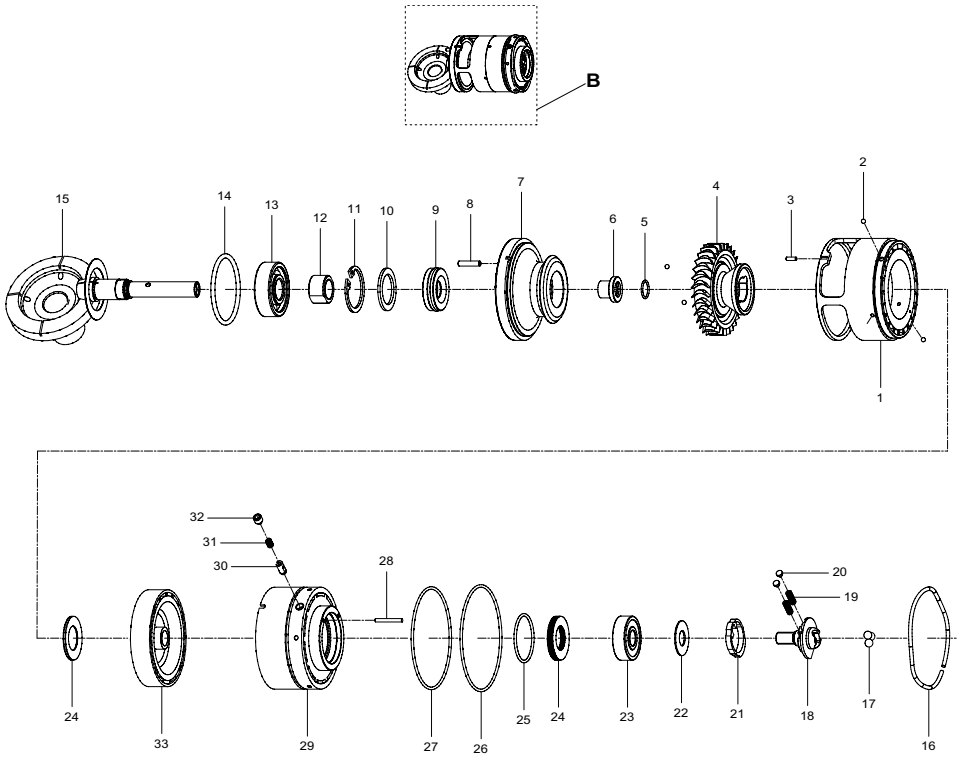
VT45A()SP() Series Air Grinder - Parts List

Item	Part Description	Part Number	
		VT45A066SP995	VT45A085SP98
1	Gearing	47591606001	
	Guard Lock Rebuild Kit	47591659001	
2	Threaded Fitting	--	
3	Valve Push Button	--	
4	Pressure Spring	--	
5	Pusher	--	
6	Autobalancer	47591660001	
7	Tension Nut	47591647001	
	Screen Kit	47591662001	
8, 9	Screen	--	
	Pusher Kit	47591850001	
10	Pusher (2)	--	
11	Pin	--	
	Small Parts Kit	47591664001	
12	O-Ring	--	
16	Pressure Spring	--	
18	Cylinder Head Screw (4)	--	
13	Air Motor	47591149001	
14	Regulator	47591150001	
15	Ring	47591665001	
17	Valve	47591148001	

VT45A()SP() Series Air Grinder Gear Housing Assembly - Parts list

Item	Part Description	Part Number	
		VT45A066SP995	VT45A085SP98
1	Guard	47593318001	47591873001
	Threaded Fitting Kit	47591872001	
2	Threaded Fitting	--	
3	O-Ring	--	
5	Angular Rotary Joint	47591869001	
6	Spindle Disc	47591865001	
	Spindle Kit	47591868001	
7	Spindle	--	
8	Parallel Key	--	
	Spindle Seal Kit	47591864001	
3	O-Ring	--	
4	Seal (2)	--	
9	O-Ring	--	
	Sleeve Kit	47591867001	
9	O-Ring	--	
10	Sleeve	--	
	Spindle Bearing Kit	47591866001	
11	Groove Nut	--	
12	Needle Bearing	--	
13	Disc	--	
	Cover Rebuild Kit	47591863001	
14	Slide Vane	--	
15	Cover	--	
16	Countersunk Screw (2)	--	
17	Handle	47591860001	
18	Handle Lock	47591859001	
19	Oil Plug Screw	47591861001	
20	Ring	47591858001	
21	Counter Sink Screw	47591857001	
	Small Parts Kit - 1	47591862001	
22	Threaded Pin	--	
23	O-Ring	--	
24	Angle Head Housing	47591856001	

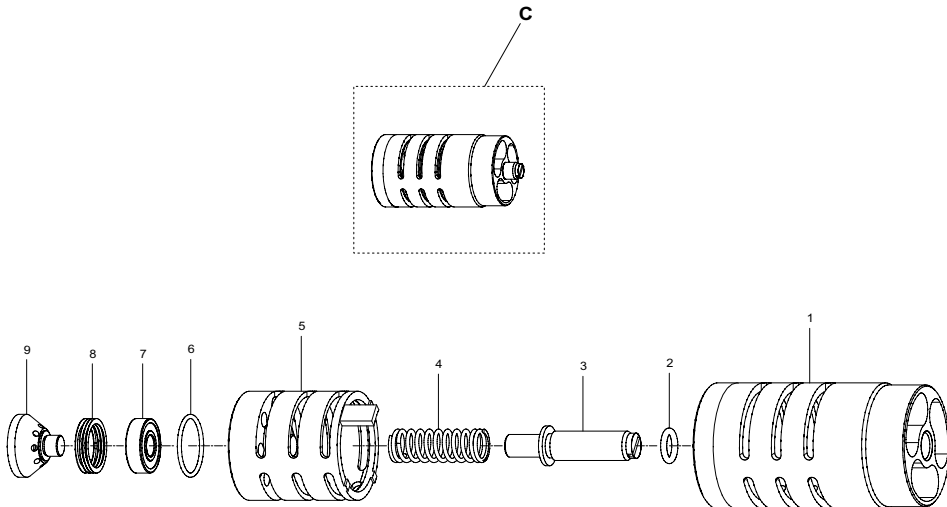
VT45A()SP() Series Air Grinder Motor Kit - Exploded View



VT45A()SP() Series Air Grinder Motor Kit - Parts List

Item	Part Description	Part Number	
		VT45A066SP995	VT45A085SP98
	Guide Wheel	47591843001	
1	Guide Wheel	--	
2	Disc Ball (4)	--	
	Small Parts Kit - 1	47591838001	
2	Ball (4)	--	
3	Gear Pin	--	
5	O-Ring	--	
8	Gear Pin	--	
10	Support Disc	--	
11	Lock Ring	--	
14	O-Ring	--	
24	Plate Spring (12)	--	
4	Front Rotor (External Blades)	47591842001	
	Seal Ring Kit	47591836001	
6	Sleeve	--	
9	Seal Ring	--	
12	Groove Nut	47591839001	
13	Grooved Rotary Joint	47591837001	
	Gear Cover Kit	47591841001	
7	Gear Cover	--	
14	O-Ring	--	
15	Bevel Gear Kit	47591835001	47591834001
17	Regulator Balls (3)	47591849001	
	Regulator Star	47591848001	
18	Regulator Star	--	
19	Pressure Spring (2)	--	
20	Bolt (2)	--	
21	Hook	47591847001	
	Grooved Rotary Joint	47591846001	
23	Grooved Rotary Joint	--	
25	O-Ring	--	
24	Plate Spring (10)	--	
	Jet Kit	47591845001	
30	Stop Pin	--	
29	Jet	--	
31	Pressure Spring	--	
32	Threaded Pin	--	
	Small Parts Kit - 2	47592829001	
16	Split Washer	--	
22	Disc	--	
25	O-Ring	--	
26	O-Ring	--	
27	O-Ring	--	
28	Needle	--	
	Jet Pin Rebuild Kit	47591840001	
30	Stop Pin	--	
31	Pressure Spring	--	
32	Threaded Pin	--	
33	Rear Rotor (Internal Blades)	47591844001	

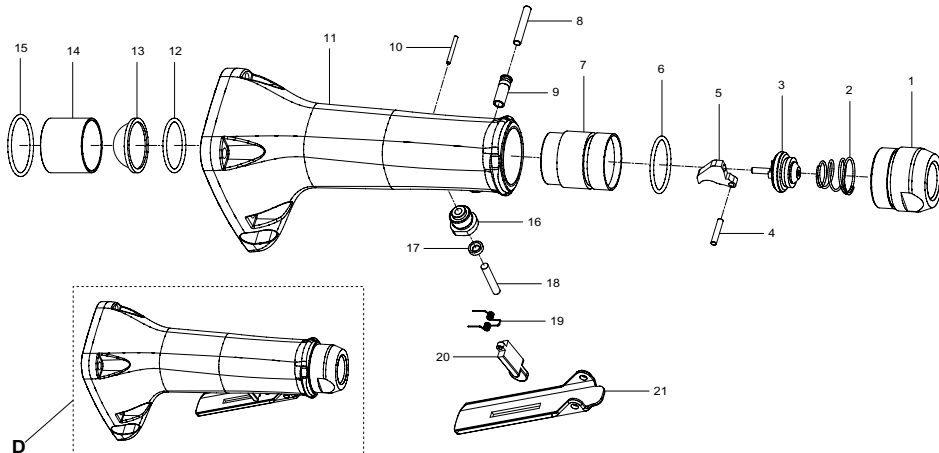
VT45A()SP() Series Air Grinder Regulator Kit - Exploded View



VT45A()SP() Series Air Grinder Regulator Kit - Parts List

Item	Part Description	Part Number	
		VT45A066SP995	VT45A085SP98
1	Regulator Housing	47591855001	
	Screw Kit	47591854001	
2	O-Ring	--	
3	Screw	--	
4	Pressure Spring	--	
5	Piston	47591853001	
	Grooved Rotary Joint Kit	47591852001	
6	O-Ring	--	
7	Grooved Rotary Joint	--	
8	Disc	--	
9	Sleeve	47591851001	

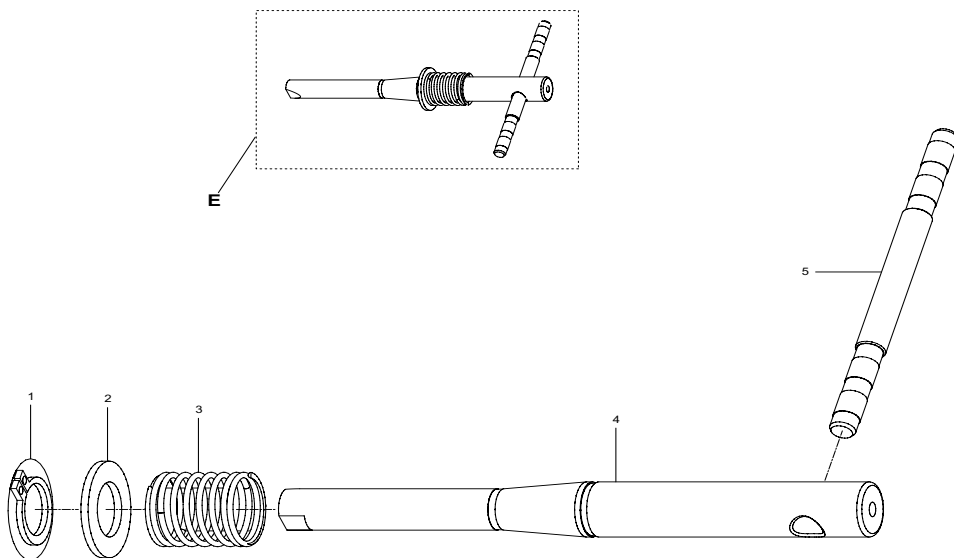
VT45A()SP() Series Air Grinder Valve Kit - Exploded View



VT45A()SP() Series Air Grinder Valve Kit - Parts List

Item	Part Description	Part Number	
		VT45A066SP995	VT45A085SP98
1	Threaded Fitting	47591833001	
	Valve Pin Kit (Spare Parts)	47591832001	
3	Valve	--	
6	O-Ring	--	
4	Gear Pin	47591830001	
	Lever Kit	47591831001	
4	Gear Pin	--	
5	Lever	--	
7	Valve Ring	47591674001	
11	Valve Housing	47591667001	
13	Screen	47591672001	
14	Ring	47591673001	
	Valve Seal Rebuild Kit (Spare Parts)	47591671001	
2	Pressure Spring	--	
6	O-Ring	--	
12	O-Ring	--	
15	O-Ring	--	
17	Seal	--	
	Plunger Rebuild Kit	47591670001	
16	Threaded Fitting	--	
17	Seal	--	
18	Gear Pin	--	
20	Lever	47591669001	
	Lever Rebuild Kit	47591668001	
8	Gear Pin	--	
9	Sleeve	--	
10	Gear Pin	--	
19	Spring	--	
21	Lever	--	

VT45A()SP() Series Air Grinder Pin Assembly Kit - Exploded View



VT45A()SP() Series Air Grinder Pin Assembly Kit - Parts List

Item	Part Description	Part Number	
		VT45A066SP995	VT45A085SP98
	Pin Assembly	47591605001	
1	Lock Ring	--	
2	Washer	--	
3	Pressure Spring	--	
4	Pin	--	
5	Pin	--	

Parts and Maintenance

When tool life has expired, it is recommended that the tool be disassembled, degreased and parts separated by material for proper recycling.

Tool repair and maintenance should only be carried out by an authorized Service Center.

Refer all communications to the nearest **Ingersoll Rand** office or distributor.

Related Documentation

For additional information, refer to:

Air Grinder Product Safety Information Manual 04584959.

Air Grinder Product Information Manual 47586460001.

Manuals can be downloaded from ingersollrandproducts.com



ingersollrandproducts.com

© 2016 *Ingersoll Rand*

