



45546959
Edition 3
November 2008

Torque Arm

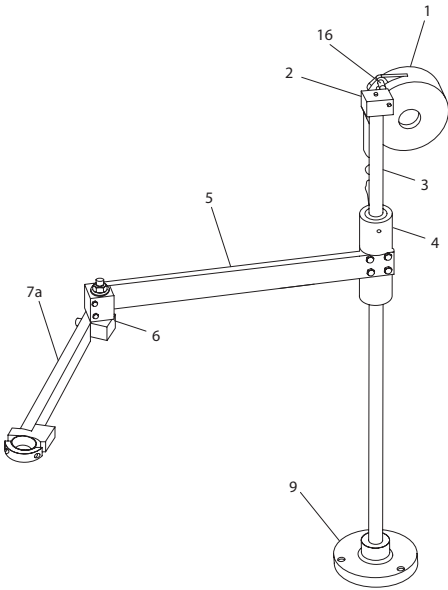
QTA Series

Parts Information

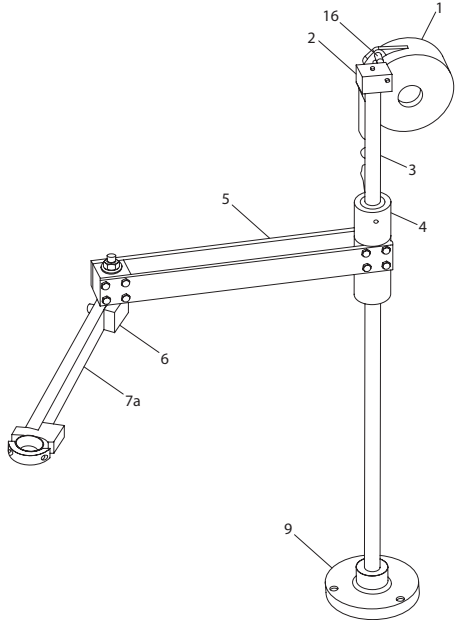


Save These Instructions

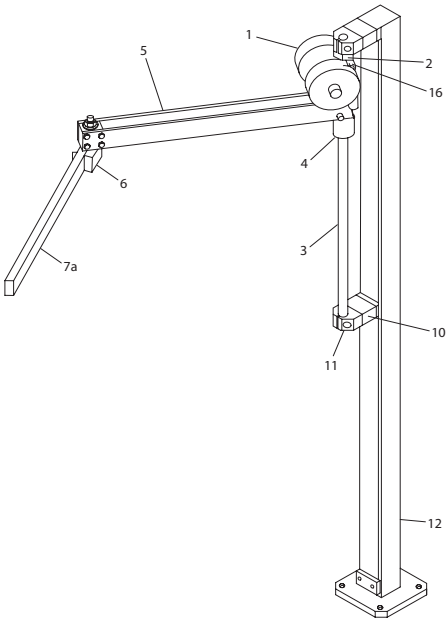
Torque Arm, QTA Series - Diagrams



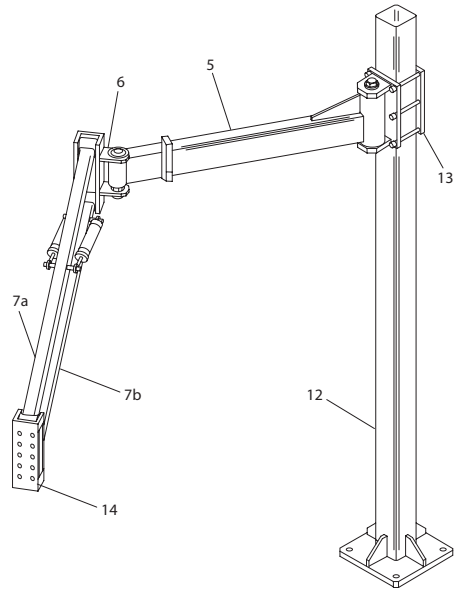
QTA010, QTA020, QTA040



QTA100



QTA150



QTA270, QTA475

(Dwg. 45564762)

Torque Arm, QTA Series - Parts List

Item	Part Description	Part Number						
		QTA010	QTA020	QTA040	QTA100	QTA150	QTA270	QTA475
1	Balancer	BLD-3	BLD-3	BMDS-6	BMDS-8	BMDS-8	N/A	N/A
2	Balancer Bushing	BB010	BB020	BB100	BB100	BB150	N/A	N/A
3	Reaction Pole	RP010	RP020	RP150	RP150	RP150	N/A	N/A
4	Bearing	BR010	BR020	BR040	BR100	BR150	N/A	N/A
5	Primary Arm	PA010	PA020	PA040	PA100	PA150	PA270	PA475
6	Arm Bushing	AB010	AB020	AB040	AB100	AB150	AB270	AB475
7a	Secondary Arm (Single or Upper)	SA010-A	SA020-A	SA040-A	SA100-A	SA150-A	SA270-A	SA475-A
7b	Secondary Arm (Lower)	N/A	N/A	N/A	N/A	N/A	SA270-B	SA475-B
8*	Eye Bolt	EB020	EB020	EB100	EB100	EB150	N/A	N/A
9	Base	BA010	BA020	BA040	BA100	N/A	N/A	N/A
10	Spacer	N/A	N/A	N/A	N/A	SP150	N/A	N/A
11	Reaction Pole Clamp	N/A	N/A	N/A	N/A	RPC150	N/A	N/A
12	Post	N/A	N/A	N/A	N/A	PS150	PS270	PS475
13	Post Clamp	N/A	N/A	N/A	N/A	N/A	PC270	PC475
14	Mounting Bracket	N/A	N/A	N/A	N/A	N/A	MB270	MB475
15*	Cable Clips	QTA-949	QTA-949	QTA-949	QTA-949	QTA-950	QTA-950	QTA-950
16	Balancer Spacer	BS020	BS020	BS100	BS100	BS150	N/A	N/A
17	Air Circuit							
17a*	Check Valve	N/A	N/A	N/A	N/A	N/A	QTA475-63	QTA475-63
17b*	Regulator Mounting Bracket	N/A	N/A	N/A	N/A	N/A	29077	29077
17c*	Regulator	N/A	N/A	N/A	N/A	N/A	PR4021-100	PR4021-100
17d*	Gauge	N/A	N/A	N/A	N/A	N/A	100067	100067
17e*	Inline Tube Fitting	N/A	N/A	N/A	N/A	N/A	QTA475-188	QTA475-188
17f*	Tee Tube Fitting	N/A	N/A	N/A	N/A	N/A	QTA475-189	QTA475-189
17g*	Elbow Tube Fitting	N/A	N/A	N/A	N/A	N/A	QTA270-187	QTA475-187
17h	Air Cylinder	N/A	N/A	N/A	N/A	N/A	SD15-P4B4-040	SD20-P4B4-040
17j*	Breather Valve	N/A	N/A	N/A	N/A	N/A	20311-1	20311-2
17K	Spherical Rod End	N/A	N/A	N/A	N/A	N/A	QTA270-22	QTA475-22
17m*	Tubing	N/A	N/A	N/A	N/A	N/A	QTA475-809	QTA475-809
17n*	Tube Clips	N/A	N/A	N/A	N/A	N/A	QTA475-809-57	QTA475-809-57

* Not Illustrated

Torque Arm Tool Holders

Standard clamp on, inline tool holders are provided with the QTA010, QTA020, QTA040 and QTA100 Torque Arms. Clamp on style tool holders are also available for right angle and pistol tools, and a ¼" NPT threaded tool holder is available for low torque air tools. Additionally, **Ingersoll Rand** specific tool holders are available for all Torque Arm models, and are recommended when using any **Ingersoll Rand** QE or QA tool. For proper tool holder selection, refer to specific part numbers provided in Tables 1 & 2.

Note: Every **Ingersoll Rand** QE or QA specific tool holder, listed in Table 2, accepts both angle and inline tools, but does require an integrated flanged gear case, mounting style "F"; or accessory mounting flange for attaching the tool holder to the tool. If your tool came with mounting style "P", "R" or "J", please order Part No. 15E4-K48, GEM120-K48 or QA4-K48 for any **Ingersoll Rand** specific tool holder that ends in a "1B", "2B" or "6B" respectively. If your tool came with mounting style "P", you also need to order Part No 15E2-27 or DAA4-27 for any **Ingersoll Rand** specific tool holder that ends in a "1B" or "2B" respectively.

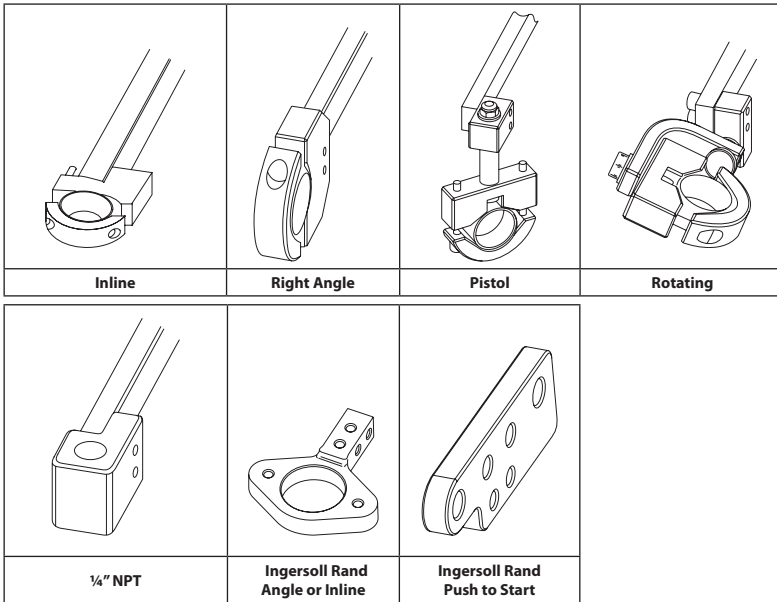


Table 1 – Clamp on Tool Holders

Tool Holder	Torque Arms						
	QTA010	QTA020	QTA040	QTA100	QTA150	QTA270	QTA475
Inline	ITC010-1C	ITC040-1C	ITC040-1C	ITC100-1C	N/A	N/A	N/A
Right Angle	ATC010-1C	ATC040-1C	ATC040-1C	ATC100-1C	N/A	N/A	N/A
Pistol	PTC010-1C	PTC040-1C	PTC040-1C	N/A	N/A	N/A	N/A
Rotating	RTC010-1C	RTC040-1C	RTC040-1C	N/A	N/A	N/A	N/A
1/4" NPT	NTC010-1T	N/A	N/A	N/A	N/A	N/A	N/A

Table 2 – Ingersoll Rand QA & QE Specific Tool Holders

Tools	Torque Arms						
	QTA010	QTA020	QTA040	QTA100	QTA150	QTA270	QTA475
QE4 (Non Push to Start)	N/A	CTC040-K1B	CTC040-K1B	N/A	N/A	N/A	N/A
QE4 (Push to Start)	CTC040-K1P	CTC040-K1P	CTC040-K1P	N/A	N/A	N/A	N/A
QE6	N/A	CTC040-K2B	CTC040-K2B	CTC100-K2B	N/A	N/A	N/A
QE8 (Using Bolt on Flange GEM120-K48)	N/A	N/A	N/A	CTC100-K2B	CTC150-K2B	N/A	N/A
QE8 (Using Integrated Flanged Gearcase)	N/A	N/A	N/A	CTC100-K3B	CTC150-K3B	CTC270-K3B	N/A
QE8 (230 Nm Inline)	N/A	N/A	N/A	N/A	N/A	CTC270-K4B	N/A
QE8 (400 Nm Angle)	N/A	N/A	N/A	N/A	N/A	N/A	CTC475-K5B
QA4 (Angle)	N/A	CTC040-K6B	CTC040-K6B	CTC100-K6B	N/A	N/A	N/A
QA4 (27 Nm max Inline) & QA6	N/A	CTC040-K1B	CTC040-K1B	CTC100-K1B	N/A	N/A	N/A
QA4 (46 Nm Inline)	N/A	N/A	N/A	CTC100-K2B	N/A	N/A	N/A
QA8 (150 Nm max Angle, 55 Nm max Inline)	N/A	N/A	CTC040-K1B	CTC100-K1B	CTC150-K2B	N/A	N/A
QA8 (Above 150 Nm Angle, Above 55 Nm Inline)	N/A	N/A	N/A	CTC100-K2B	CTC150-K3B	CTC270-K3B	N/A

Torque Arm Accessories

Torque Arm accessories include Inverse Mounting Kits to provide mounting to overhead structure and Upper Pole Clamps which provides extra support to the reaction pole and help limit travel of the bearing. Please use Table 3 to select the proper accessory for each Torque Arm.

Table 3 – Torque Arm Accessories

Accessory	Torque Arms						
	QTA010	QTA020	QTA040	QTA100	QTA150	QTA270	QTA475
Inverse Mounting Kit	IMK010	IMK020	IMK100	IMK100	N/A	N/A	N/A
Upper Pole Clamp	PUC010	PUC020	PUC100	PUC100	N/A	N/A	N/A

Parts and Maintenance

When the life of the tool has expired, it is recommended that the tool be disassembled, degreased and parts be separated by material so that they can be recycled.

Tool repair and maintenance should only be carried out by an authorized Service Center.

Refer all communications to the nearest **Ingersoll Rand** Office or Distributor.

Related Documentation

For additional information refer to:

Product Safety Information Manual 45546967.

Product Information Manual 45546942.

Maintenance Information Manual 45546934.

Manuals can be downloaded from www.irttools.com.

Notes:

Notes:

www.irttools.com

© 2008 **Ingersoll Rand** Company

