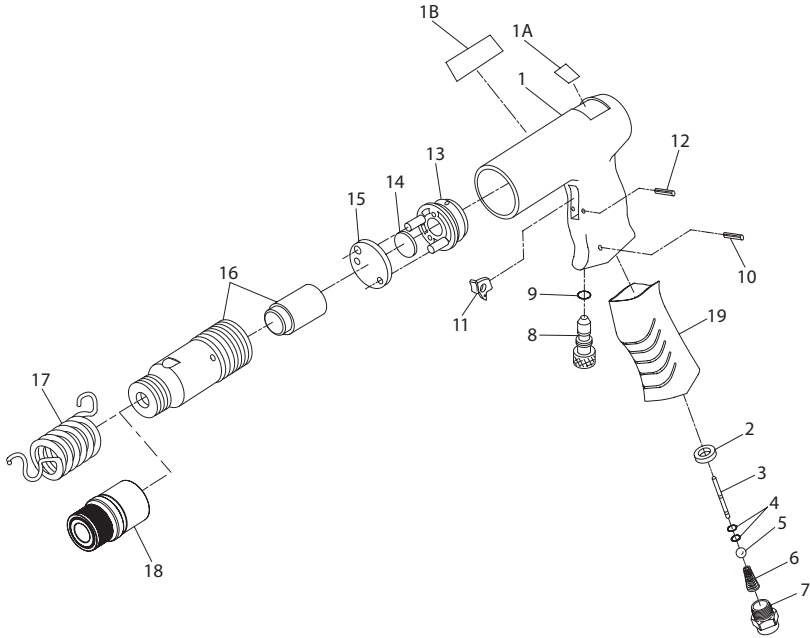


Models 114G and 114GQC Air Hammer Exploded Diagram



(Dwg. 16585986)

Models 114G and 114GQC Air Hammer Parts List

Item	Part Description	Part Number	Item	Part Description	Part Number
1	Handle for Model 114G	114G-59	9	Regulator O-Ring	114G-167
1A	Nameplate for Model 114G	114G-301	10	Regulator Retaining Pin	114G-120
1B	Warning Label for Model 114G	114GQC-99	11	Trigger	114G-93
1	Handle for Model 114GQC	114GQC-59	12	Trigger Pin	114G-121
1A	Nameplate for Model 114GQC	114GQC-301A	13	Valve Seat	114G-3
1B	Warning Label for Model 114GQC	114GQC-99	14	Valve	114G-2
2	Throttle Ball Seat	114G-303	15	Valve Cap	114G-4
3	Throttle Plunger Assembly	114G-A64	16	Barrel Assembly (includes piston)	114G-A6
4	Throttle Plunger O-Ring (2)	114G-168	17	Spring Retainer for Model 114G	9505
5	Throttle Ball	114G-50	† 18	Quick Change Retainer for Model 114GQC	9510
6	Throttle Ball Spring	114G-11	19	Grip	114G-747
7	Inlet Bushing	114G-565	*	Body Shop Chisel Kit	114G-K3
8	Power Regulator Assembly	114G-A250	*	5 Piece Chisel Set	9500

* Not Illustrated.

† Available as an upgrade for Model 114G

Parts and Maintenance

When the life of the tool has expired, it is recommended that the tool be disassembled, degreased and parts be separated by material so that they can be recycled.

Tool repair and maintenance should only be carried out by an authorized Service Center.

Refer all communications to the nearest **Ingersoll Rand** Office or Distributor.

Related Documentation

For additional information refer to:

Air Percussive Tool Product Safety Information Manual 04581450,

Air Hammer Product Information Manual 04579652.

Manuals can be downloaded from ingersollrandproducts.com