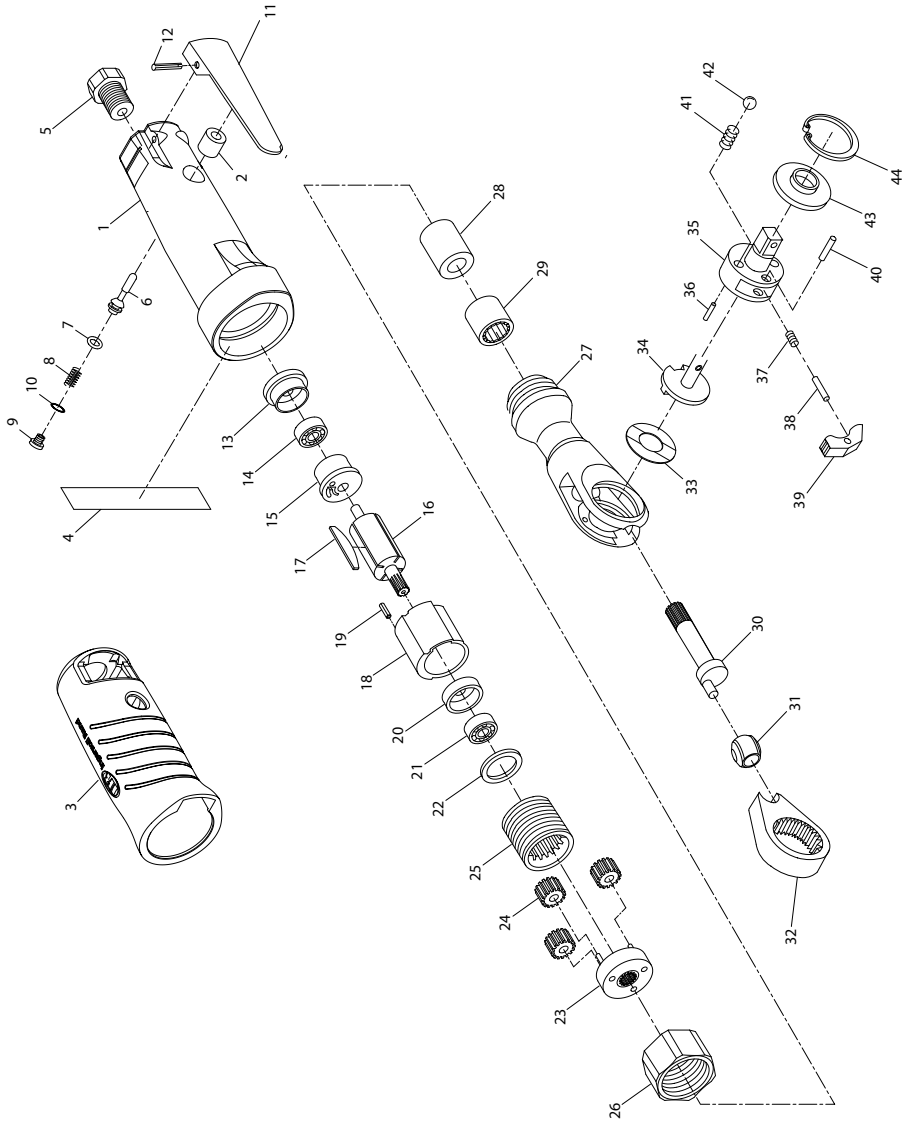


Models 170G and 1770G Air Ratchet Wrench - Exploded View



(Dwg. TP2430)



## Models 170G and 1770G Air Ratchet Wrench - Parts List

Item	Part Description	Part Number	Item	Part Description	Part Number
	Housing Assembly		26	Coupling Nut	170-27
	for 170G	170G-A40		Ratchet Housing Assembly	170-A322
	for 1770G	1770G-A40	27	Ratchet Housing	---
1	Housing	---	28	Crankshaft Bushing	---
2	Valve Bushing	---	29	Crankshaft Needle Bearing	---
3	Grip	170G-747	30	Crankshaft	170-35
4	Label		31	Drive Bushing	170-36
	for 170G	170G-301A	32	Yoke	170-37
	for 1770G	1770G-301		Ratchet Head Kit	
5	Inlet Bushing Assembly	170-565		for 170G	170-TRK1
	Throttle Kit	170-TK		for 1770G	1770-TRK1
6	Throttle Valve	---	33	Wear Washer	---
7	Throttle Valve O-ring	---	34	Reverse Button	---
8	Throttle Valve Spring	---	35	Anvil Assembly	
9	Valve Plug	---		for 170G	170-A44
10	Valve Plug O-ring	---		for 1770G	1770-A44
	Trigger Lever Kit	170-LK	36	Reverse Button Stop Pin	---
11	Trigger Lever	---	37	Lock Spring	---
12	Trigger Lever Pin	---	38	Lock Pin	---
	Motor Assembly	170-MK	39	Pawl	---
13	End Cap	---	40	Pawl Retaining Pin	---
14	Rear Rotor Bearing	---	41	Friction Spring (2)	---
15	Rear End Plate	---	42	Friction Ball (2)	---
16	Rotor	---	43	Thrust Washer	---
17	Vanes (4)	---	44	Retaining Ring	---
18	Cylinder	---		Oil - Ingersoll Rand No. 10 (4 oz. bottle)	10Z4
19	Motor Alignment Pin	---		Grease (for Gearing)	
20	Front End Plate	---		Ingersoll Rand No. 67 (1 lb can)	67-1 LB
				Ingersoll Rand No. 67 (8 lb can)	67 8 LB
21	Front Rotor Bearing	---		Grease (for Ratchet Head)	
22	Spacer	---		Ingersoll Rand No. 70 (1 lb can)	70 1 LB
				Ingersoll Rand No. 70 (8 lb can)	70 8 LB
				Gearing Kit	
23	Spindle Assembly	170-GK			
24	Planet Gear (3)	---			
25	Internal Gear	---			

### Parts and Maintenance

When the life of the tool has expired, it is recommended that the tool be disassembled, degreased and parts be separated by material so that they can be recycled.

Tool repair and maintenance should only be carried out by an authorized Service Center.

Refer all communications to the nearest **Ingersoll Rand** Office or Distributor.

### Related Documentation

For additional information refer to:

Product Safety Information Manual 04580361.

Product Information Manual 45661204.

Manuals can be downloaded from [ingersollrandproducts.com](http://ingersollrandproducts.com)

