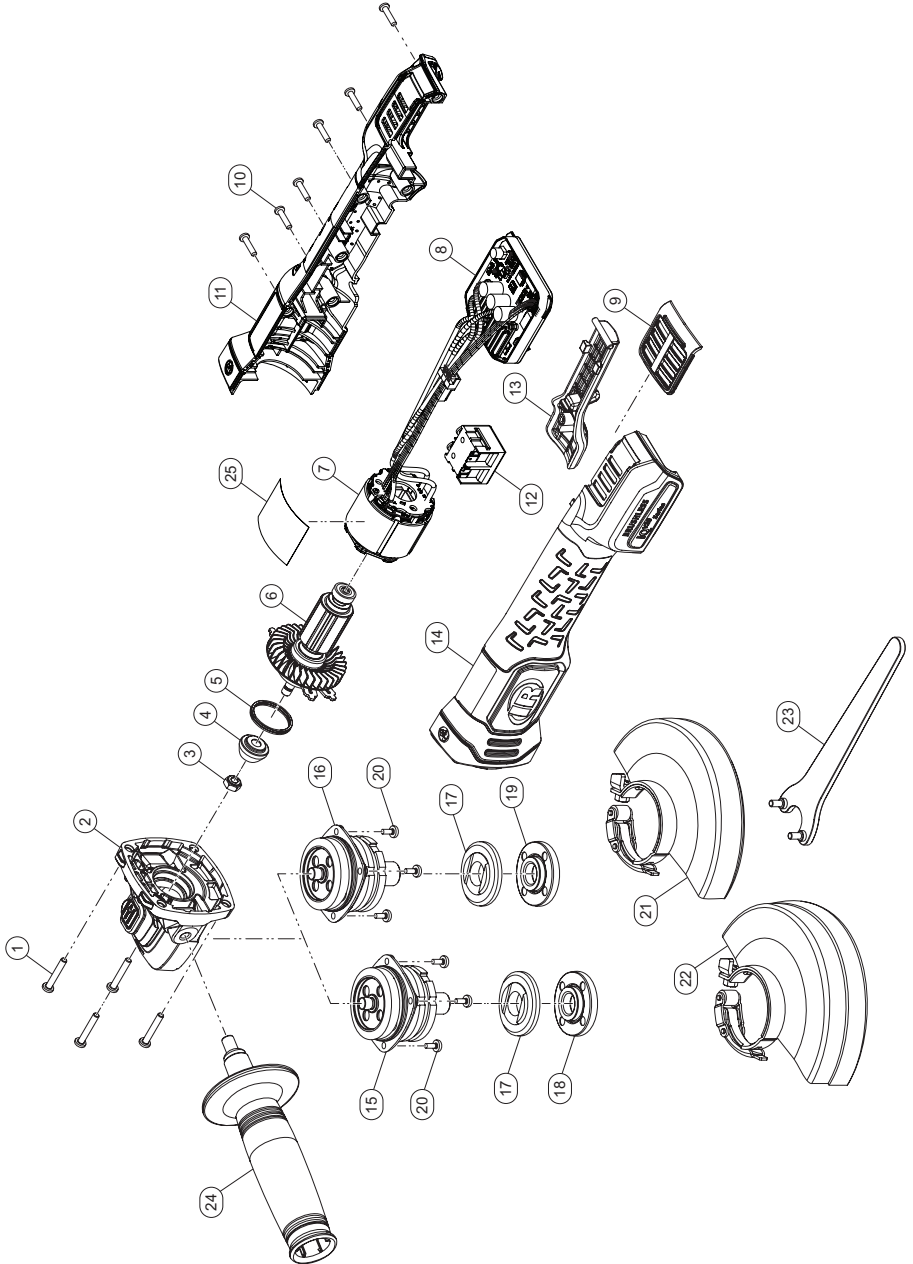


G5351 and G5351M, Cordless Angle Grinder - Exploded View



(Dwg. TL-G5351-PLM-1)



## G5351 and G5351M, Cordless Angle Grinder - Parts List

Item	Part Description	Part Number (CCN)	Item	Part Description	Part Number (CCN)
	Screw Kit	TK-G5351-078		5" Guard Kit	TK-G5351-106-50
1	Gear Case Screws (4 required)	---	21	5" Type A Guard	---
20	Spindle Housing Screws (4 required)	---	22	5" Type B Guard	---
10	Housing Screws (6 required)	---		4.5" Guard Kit	TK-G5351-106-45
	5/8"-11" Angle Head Kit	TK-G5351-037	*	4.5" Type A Guard	---
2	Gear Case Assembly	---	*	4.5" Type B Guard	---
5	Rubber Ring	---		Auxiliary Handle Kit	TK-G5351-048
15	5/8"-11" Angle Head Cover Assembly	---	24	Auxiliary Handle	---
1	Angle Head Screws (4 required)	---		Spanner Wrench Kit	TK-G5351-026
20	Spindle Housing Screws (4 required)	---	23	Spanner Wrench	---
	M14 Angle Head Kit	TK-G5351M-037		5/8"-11" Arbor Nut Kit	TK-G5351-337
2	Gear Case Assembly	---	17	Backing Flange	---
5	Rubber Ring	---	18	5/8"-11" Flange Nut	---
16	M14 Angle Head Cover Assembly	---		M14 Arbor Nut Kit	TK-G5351M-337
1	Angle Head Screws (4 required)	---	17	Backing Flange	---
20	Spindle Housing Screws (4 required)	---	19	M14 Flange Nut	---
	Housing Kit	TK-W9691-040		Label Kit	TL-G5001-099
14	LH Housing	---	25	Warning Label	---
11	RH Housing	---		20V Li-Ion Battery Pack	
9	Air Filter Vent	---	*	2.5 Ah	BL2012 (47515903001)
13	Paddle Switch	---	*	2.8 Ah	BL2013
	Motor/Drive Kit	TK-G5351-054	*	5.0 Ah	BL2022 (47515902001)
3	Pinion Nut	---		5.6 Ah	BL2023
4	Pinion Gear	---		Battery Charger	
6	Motor Rotor	---	*	Battery Charger, Single Bay	BC1121 (47507879001)
7	Motor Stator	---	*	Battery Charger, Dual Bay	BC1221
8	Motor Drive	---		Protective Battery Boot	
12	Switch	---	*	For 2.5 Ah & 2.8 Ah Batteries	BL2005-BOOT (47510965001)
	Switch Kit	TK-G5351-410		For 5.0 Ah & 5.6 Ah Batteries	BL2010-BOOT (47510964001)
12	Switch	---	*	Storage/Carrying Bag	TB4 (47543666001)
	Air Filter Vent Kit	TK-G5351-310			
9	Air Filter Vent	---			

\* Indicates not illustrated.

### Parts and Maintenance

When tool life has expired, it is recommended that the tool be disassembled, degreased and parts separated by material for proper recycling.

Tool repair and maintenance should only be carried out by an Authorized Service Center.

Refer all communications to the nearest **Ingersoll Rand** office or distributor.

### Related Documentation

Manuals can be downloaded from [ingersollrand.com](http://ingersollrand.com)

For additional information, refer to:

Product Safety Information Manual TL-G5351-SIM

Product Information Manual TL-G5351-PIM

Declaration of Conformity TL-G5351-DOC