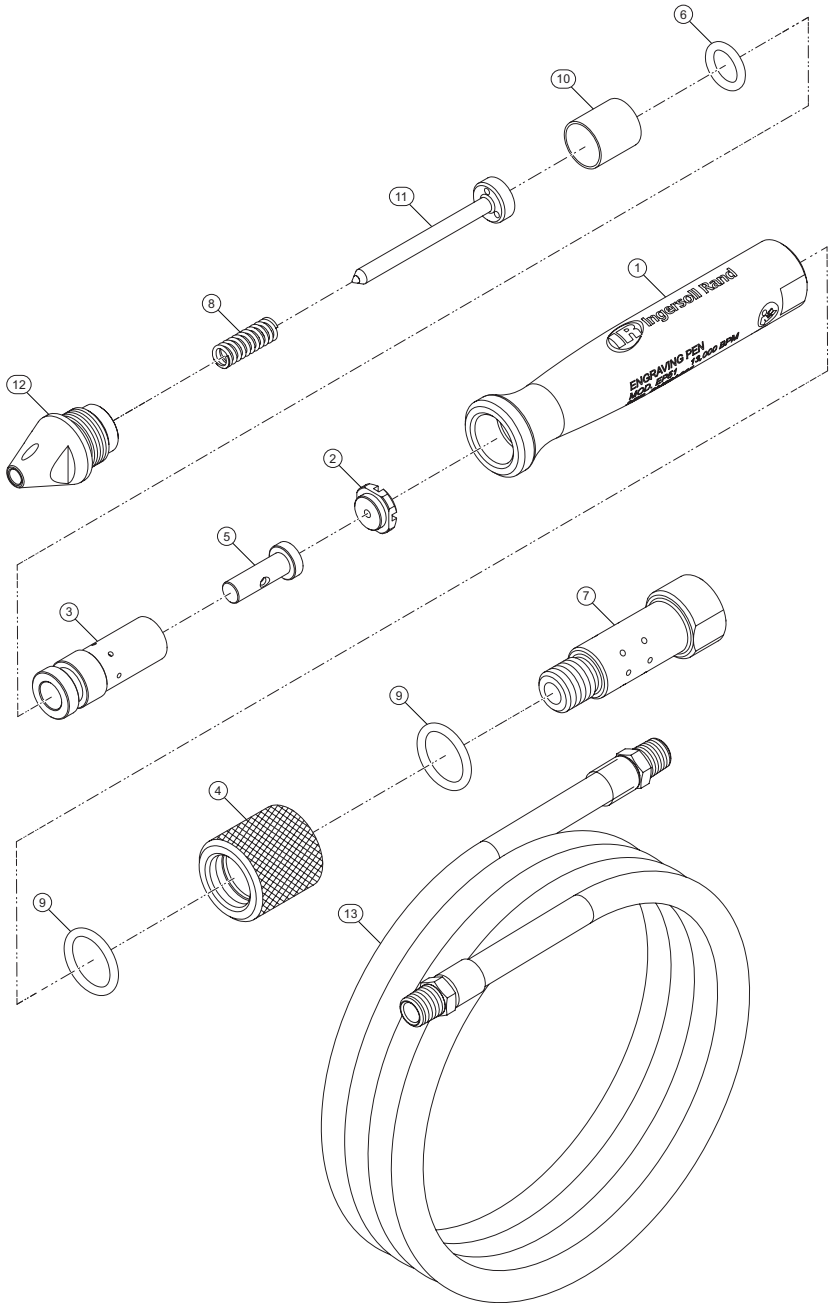


EP51, Air Engraving Pen - Exploded View



(Dwg. TL-EP51-PLM-1)



TL-EP51-PLM
Edition 1
August 2023

EP51, Air Engraving Pen - Parts List

Item	Part Description	Qty.	Part Number (CCN)
1	Housing	1	EP51-501
2	End Cap	1	EP51-509
3	Cylinder	1	EP51-508
4	Valve Sleeve	1	EP51-510
5	Piston	1	EP51-507
6	O-Ring	1	EP51-512
7	Valve Stem	1	EP51-229
8	Spring	1	EP51-505
9	O-Ring	2	EP51-65
10	Distance Tube	1	EP51-506
11	Stylus - Medium Tip	1	EP51-516
12	Nose	1	EP51-502
† 13	Hose	1	EP51-130
† *	Stylus - Fine Tip	1	EP51-515
† *	Stylus - Coarse Tip	1	EP51-517

† Included only in kit version (EP51K).

* Indicates not illustrated.

Parts and Maintenance

When tool life has expired, it is recommended that the tool be disassembled, degreased and parts separated by material for proper recycling.

Tool repair and maintenance should only be carried out by an Authorized Service Center.

Refer all communications to the nearest **Ingersoll Rand** office or distributor.

Related Documentation

Manuals can be downloaded from [ingersollrand.com](https://www.ingersollrand.com)

For additional information, refer to:

Product Safety Information Manual 16576704

Product Information Manual TL-EP51-PIM

Declaration of Conformity TL-EP51-DOC