



TL-327-PLM  
Edition 2  
October 2022

## Tire Buffer

327-A and 327LS-A

---

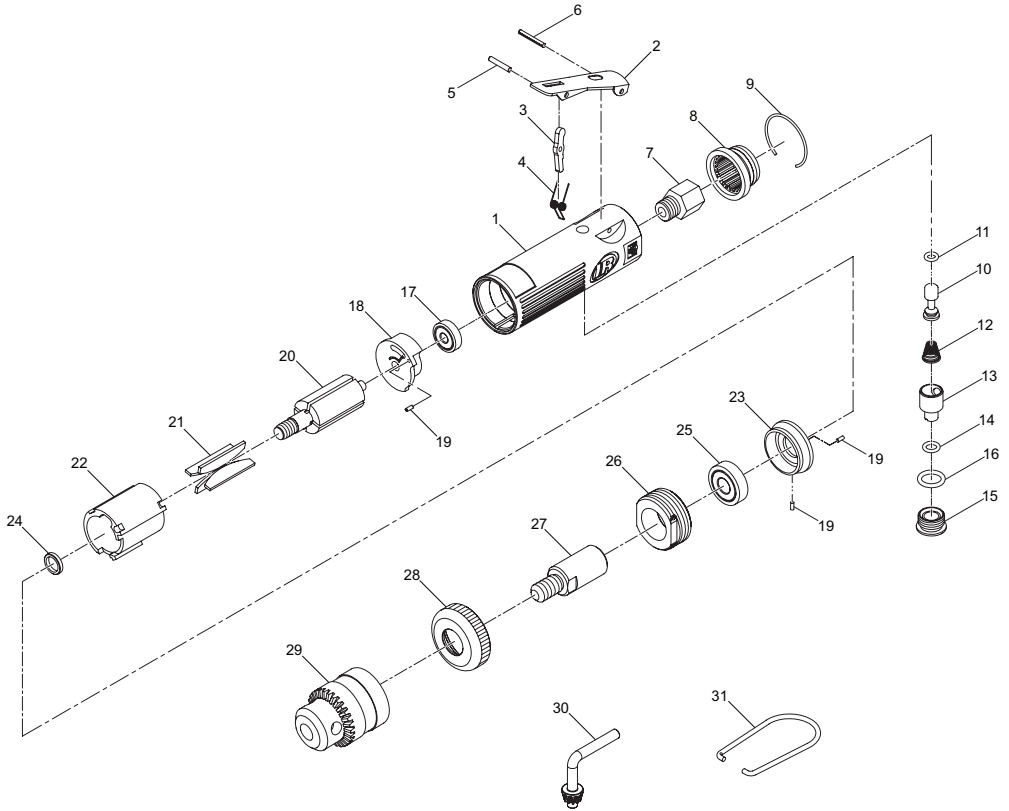
## Parts Information



Save These Instructions

 **Ingersoll Rand**<sup>®</sup>

327-A, Tire Buffer - Exploded View



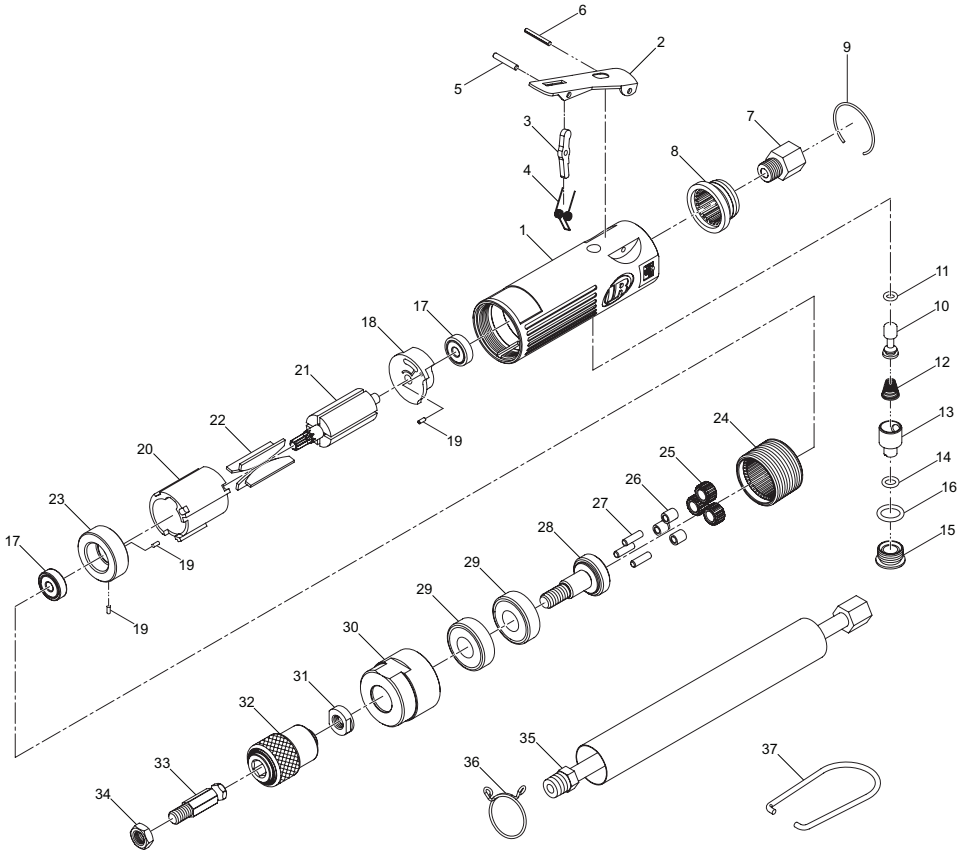
(Dwg. TL-327-PLM-1)

### 327-A, Tire Buffer - Parts List

Item	Part Description	Part Number	Item	Part Description	Part Number
	Motor Housing Assembly	327-A-A40		Rear End Plate Assembly	327-A-A12
1	Motor Housing	---	18	Rear End Plate	327-A-12
*	Warning Label	WARNING-41-99	19	End Plate Assembly Dowel	327-A-98
*	Nameplate Label	327-A-301	20	Rotor	327-A-53
	Throttle Lever Assembly	327-A-A273	21	Vane Pack (Set of 4)	327-A-42-4
2	Throttle Lever	---	22	Cylinder	327-A-3
3	Safety Bar	---		Front End Plate Assembly	327-A-A11
4	Spring	---	23	Front End Plate	327-A-11
5	Spring Pin (3X18L)	---	19	End Plate Assembly Dowel (2 required)	327-A-98
6	Throttle Lever Pin	327-A-120	24	Front End Bearing Spacer	327-A-448
7	Inlet Bushing	327-A-565	25	Front Rotor Bearing	327-A-24
8	Exhaust Diffuser	327-A-123	26	Motor Clamp	327-A-107
9	Retaining Ring	327-A-338	27	Motor Spindle	327-A-290
	Throttle Valve Assembly	327-A-A302	28	Housing Cap	327-A-23
10	Throttle Valve	327-A-302	29	Chuck (3/8" capacity)	327-A-99
11	Throttle Valve O-Ring	327-A-159	30	Chuck Key	327-A-253
12	Throttle Valve Spring	327-A-51	31	Hanger	327-A-365
13	Air Regulator	327-A-249			
14	Air Regulator O-Ring	327-A-251			
	Throttle Valve Cap Assembly	327-A-A266			
15	Throttle Valve Cap	327-A-266			
16	Valve Cap O-Ring	327-A-206			
17	Rear Rotor Bearing	327-A-22			

\* Indicates not illustrated

# 327LS-A, Tire Buffer - Exploded View



(Dwg. TL-327-PLM-2)

## 327LS-A, Tire Buffer - Parts List

Item	Part Description	Part Number	Item	Part Description	Part Number
	Motor Housing Assembly	327LS-A-A40		Front End Plate Assembly	327LS-A-A11
1	Motor Housing	---	23	Front End Plate	327LS-A-11
*	Warning Label	WARNING-41-99	19	End Plate Assembly Dowel (2 required)	327-A-98
*	Nameplate Label	327LS-A-301	24	Ring Gear	327LS-A-406
	Throttle Lever Assembly	327-A-A273	25	Planet Gears (3 required)	327LS-A-10
2	Throttle Lever	---	26	Bushing (3 required)	327LS-A-641
3	Safety Bar	---	27	Spindle Pin (3 required)	327LS-A-120
4	Spring	---	28	Spindle	327LS-A-8
5	Spring Pin (3X18L)	---	29	Spindle Bearing (2 required)	327LS-A-24
6	Throttle Lever Pin	327-A-120	30	Ring Gear Cap	327LS-A-27
7	Inlet Bushing	327-A-565	31	Chuck Spacer	327LS-A-25
8	Exhaust Diffuser	327-A-123	32	Quick chuck	327LS-A-979
9	Retaining Ring	327-A-338	33	Adapter	327LS-A-1
	Throttle Valve Assembly	327-A-A302	34	Nut	327LS-A-305
10	Throttle Valve	327-A-302	35	Exhaust Hose Assembly	327LS-A-K284
11	Throttle Valve O-Ring	327-A-159	36	Cable Clip	327LS-A-949
12	Throttle Valve Spring	327-A-51	37	Hanger	327-A-365
13	Air Regulator	327-A-249			
14	Air Regulator O-Ring	327-A-251			
	Throttle Valve Cap Assembly	327-A-A266			
15	Throttle Valve Cap	327-A-266			
16	Valve Cap O-Ring	327-A-206			
17	Rotor Bearing (2 required)	327-A-22			
	Rear End Plate Assembly	327-A-A12			
18	Rear End Plate	327-A-12			
19	End Plate Assembly Dowel	327-A-98			
20	Cylinder	327LS-A-3			
21	Rotor	327LS-A-53			
22	Vane Pack (Set of 4)	327-A-42-4			

\* Indicates not illustrated

## Parts and Maintenance

When tool life has expired, it is recommended that the tool be disassembled, degreased and parts separated by material for proper recycling.

Tool repair and maintenance should only be carried out by an authorized Service Center.

Refer all communications to the nearest **Ingersoll Rand** office or distributor.

## Related Documentation

Manuals can be downloaded from [ingersollrand.com](http://ingersollrand.com)

For additional information, refer to:

Product Safety Information Manual 04584991

Product Information Manual TL-327-PIM

Declaration of Conformity TL-327-DOC

**Notes:**

---

---

**Notes:**

[ingersollrand.com](https://www.ingersollrand.com)

© 2022 *Ingersoll Rand*

